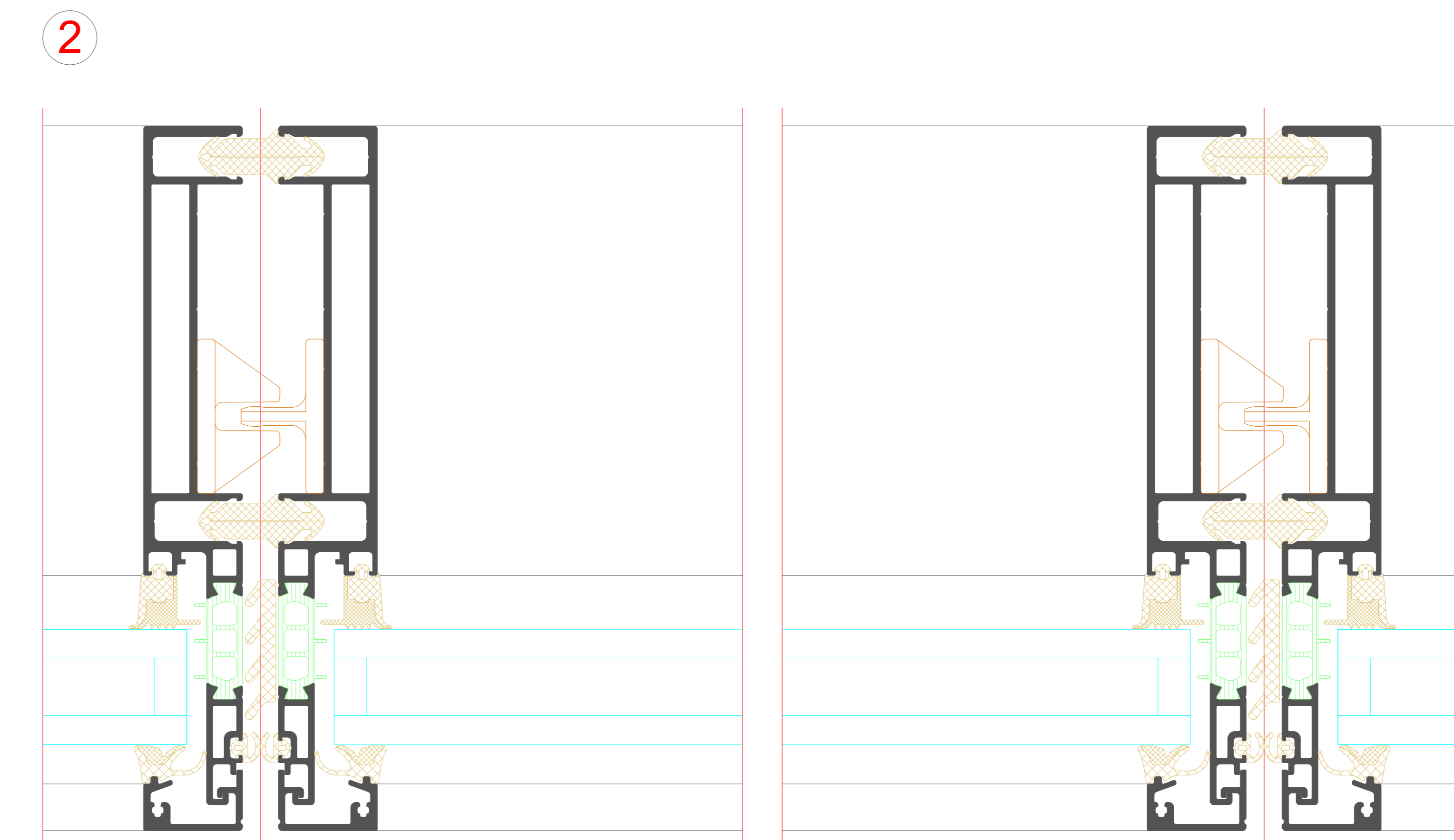
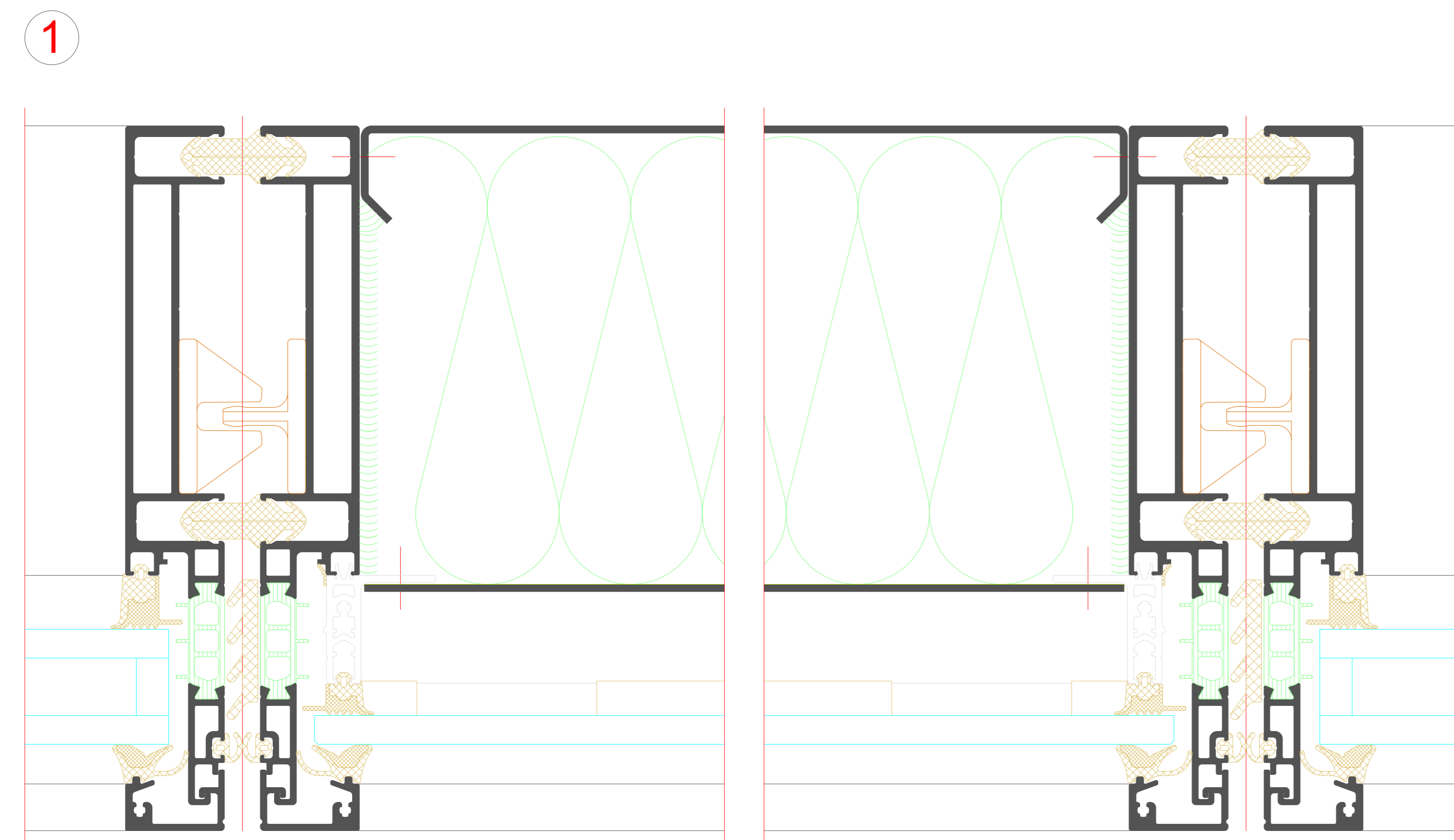
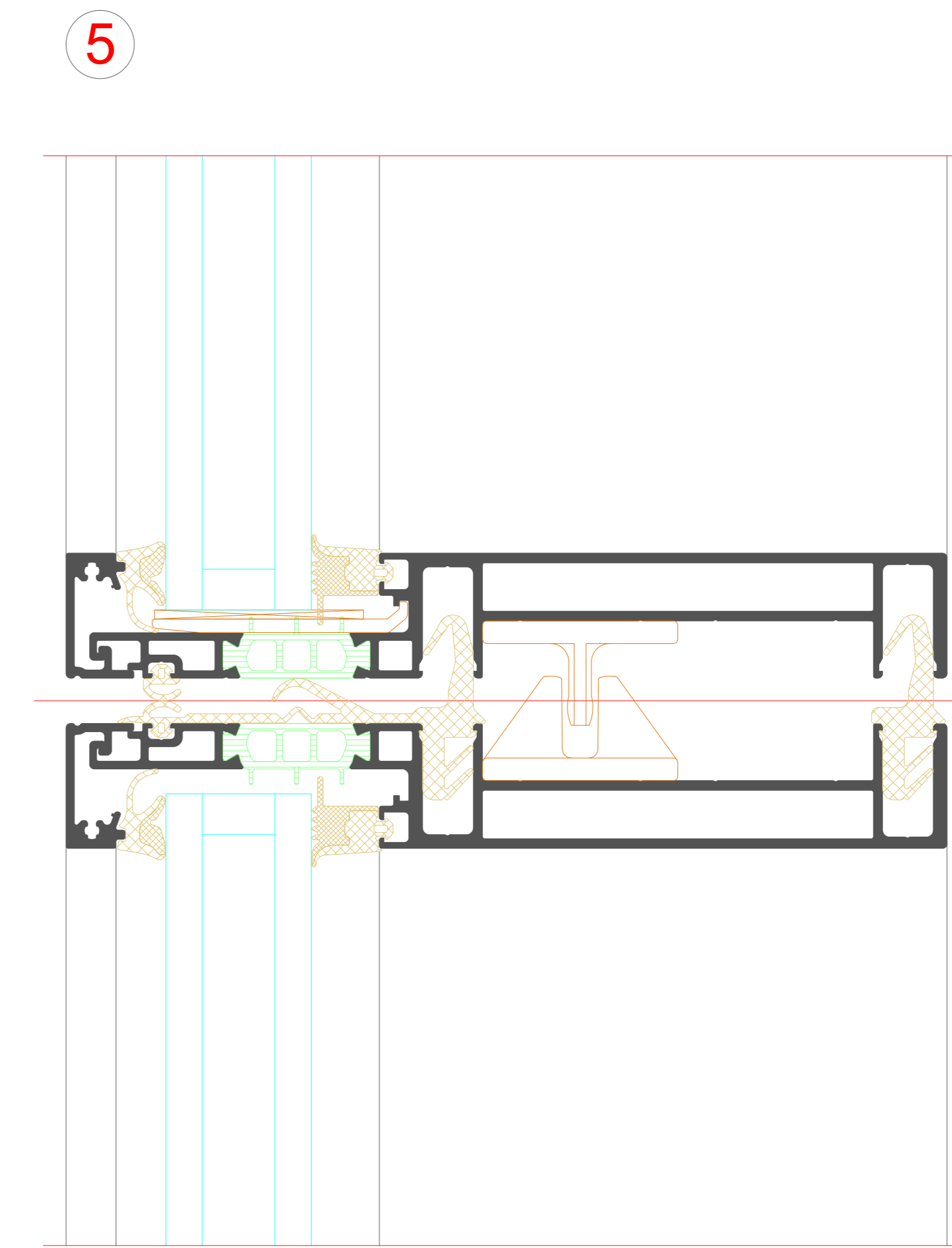
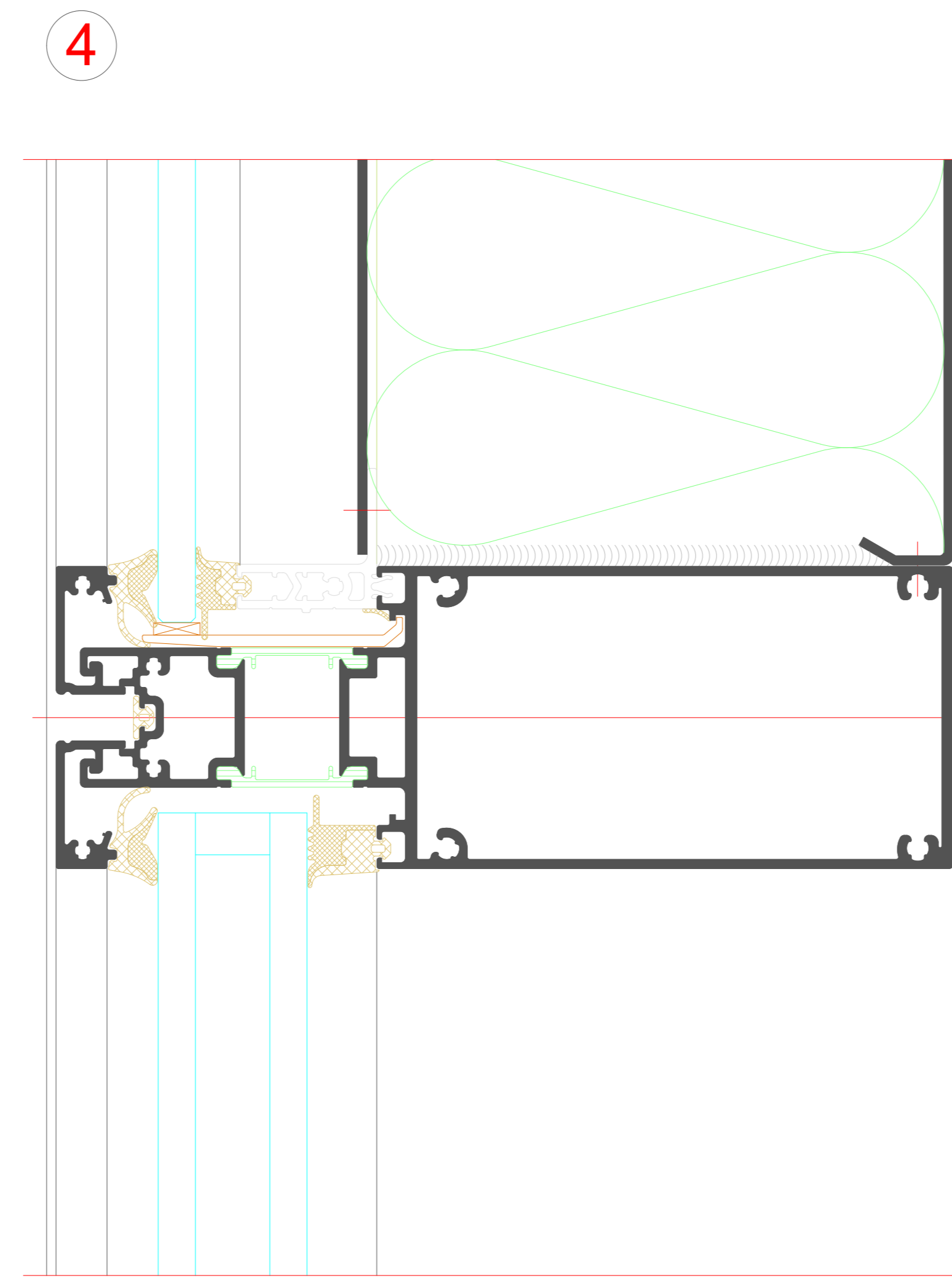
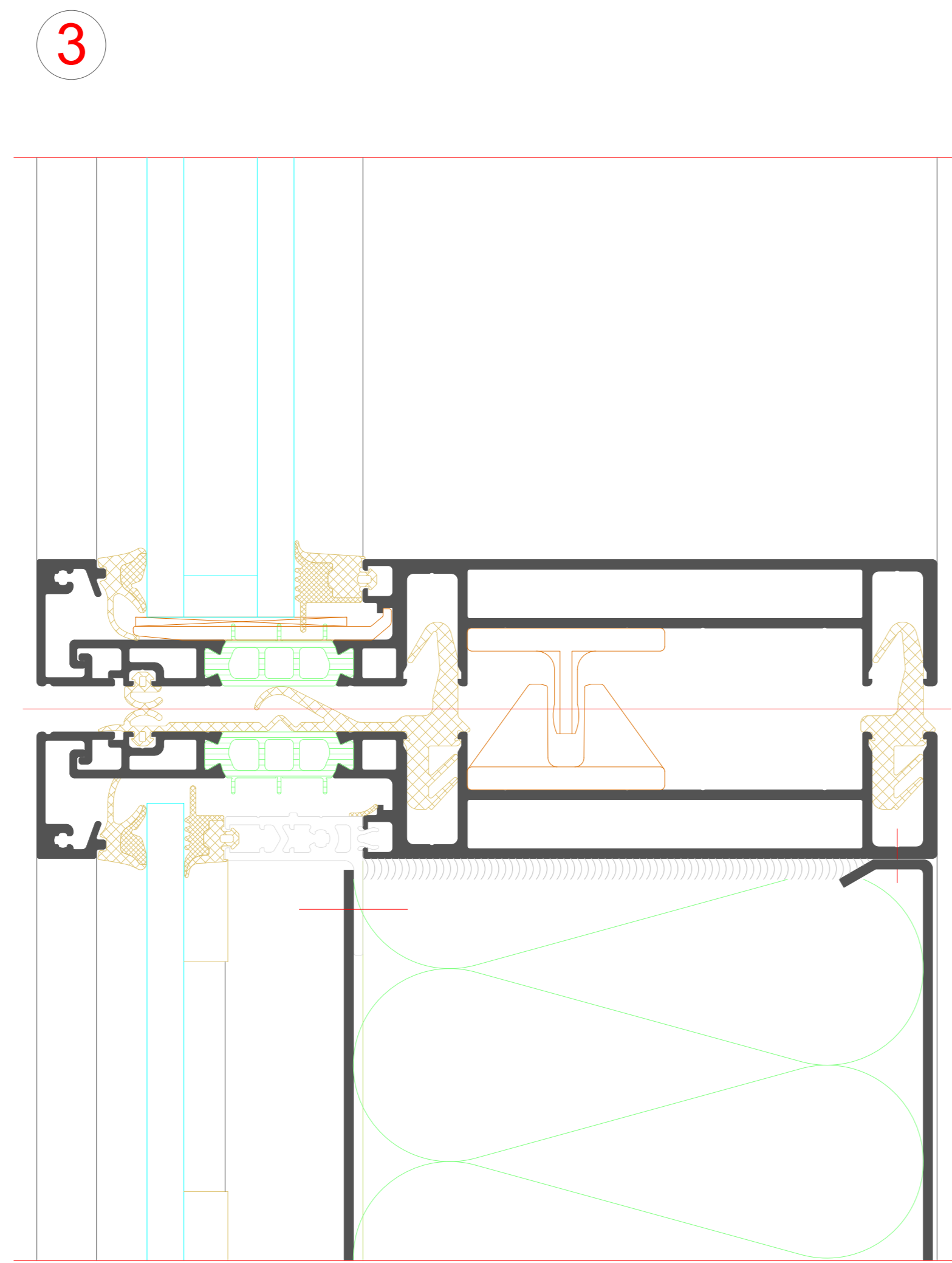
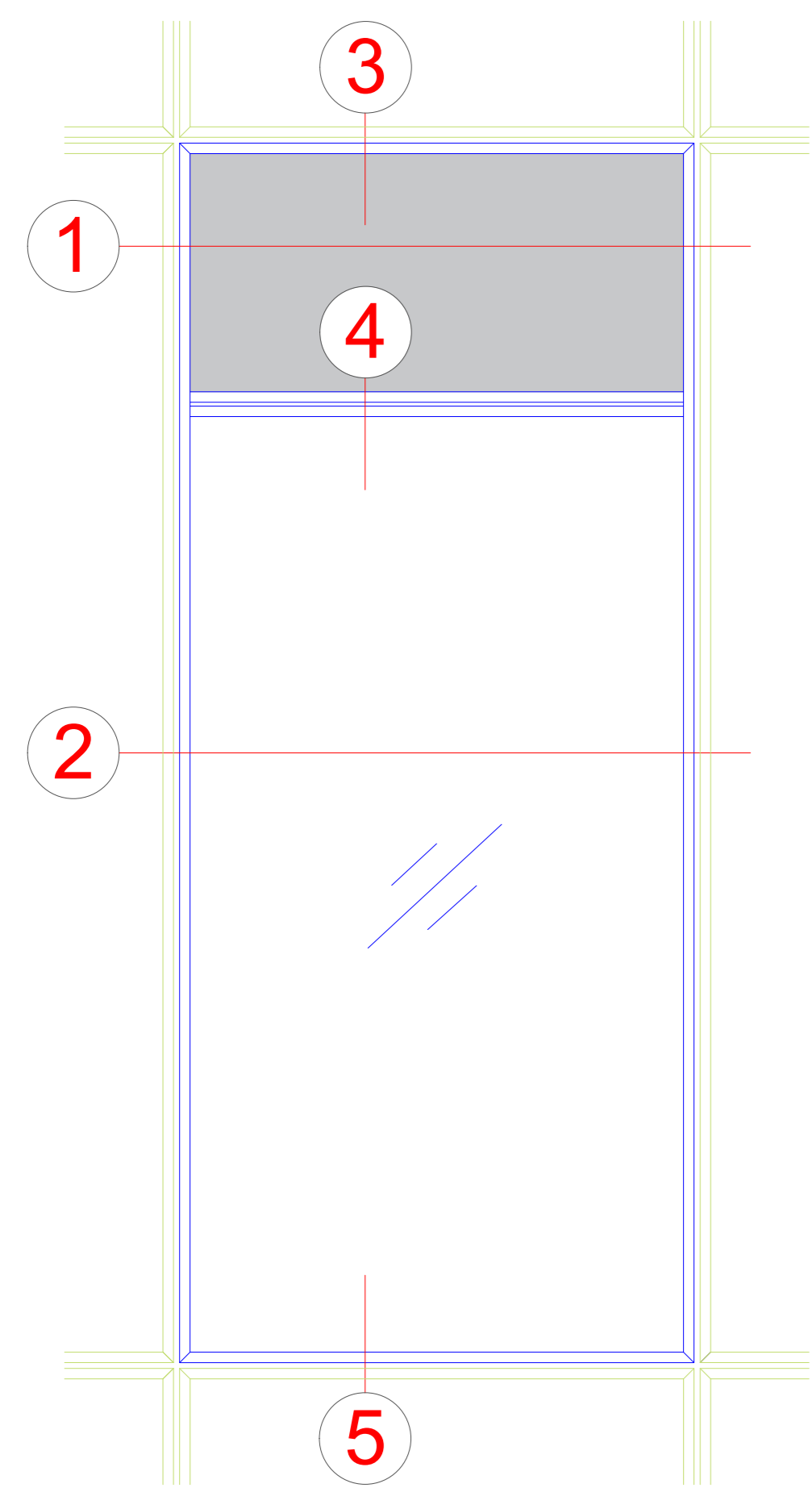
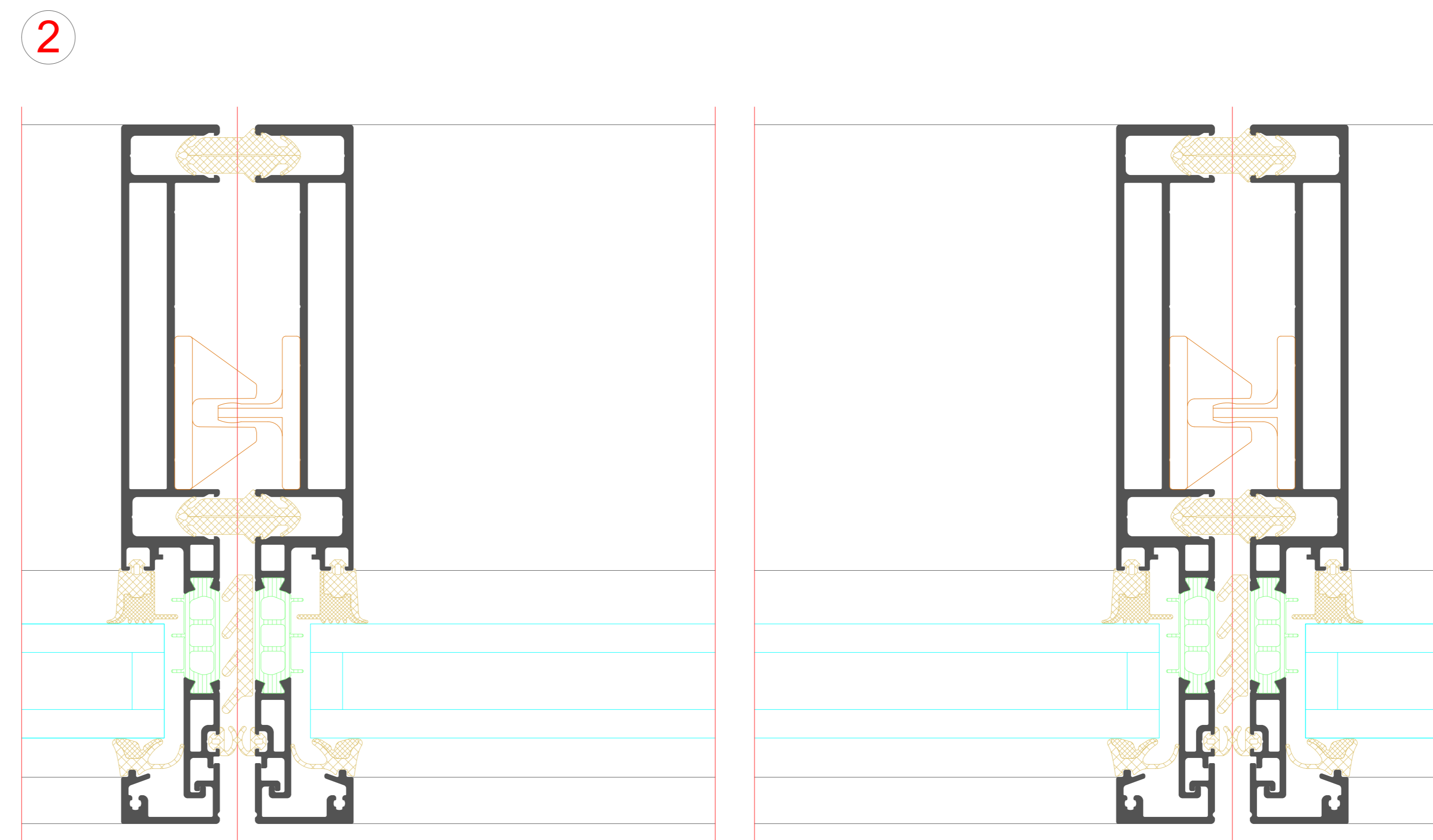
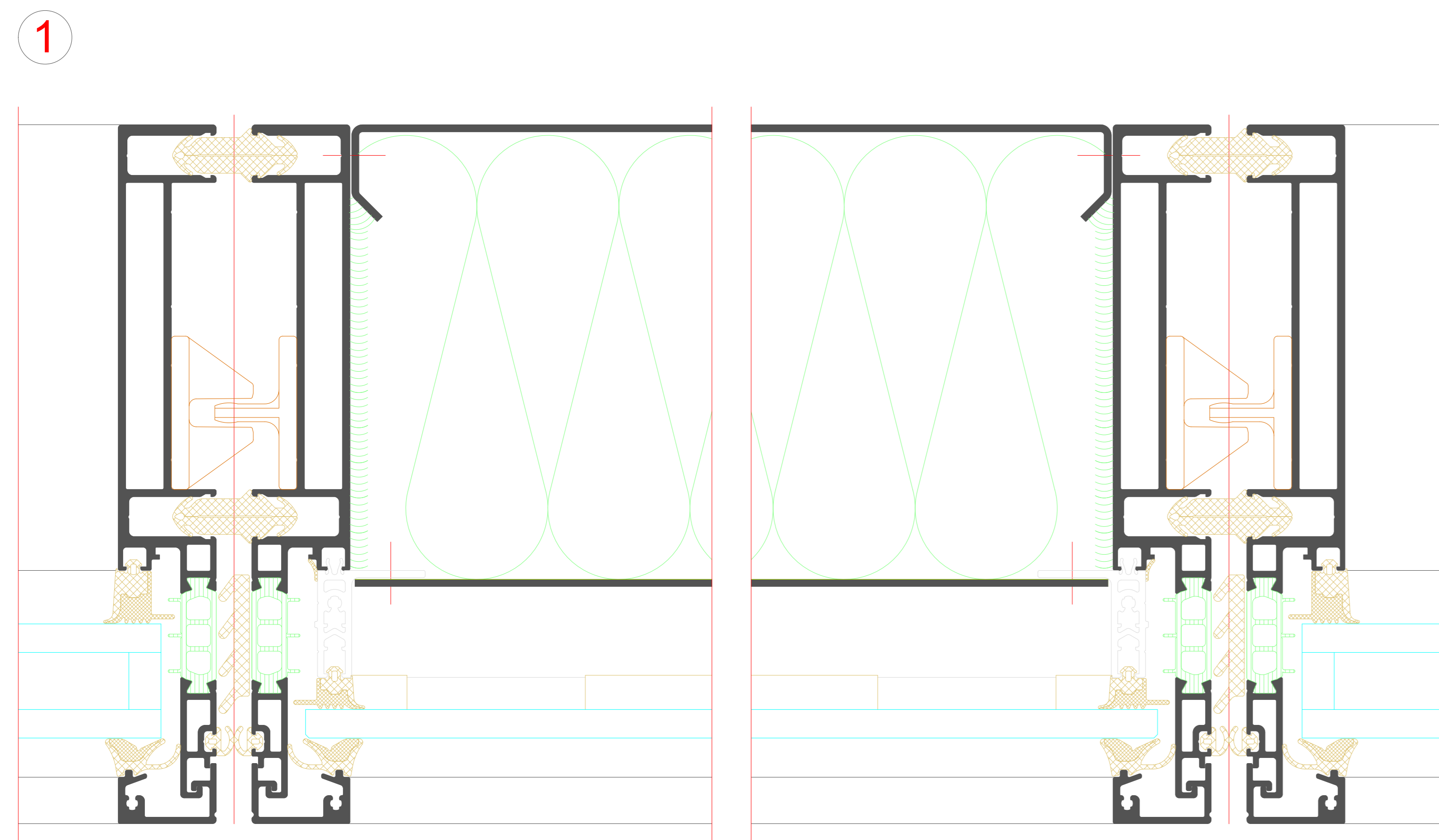
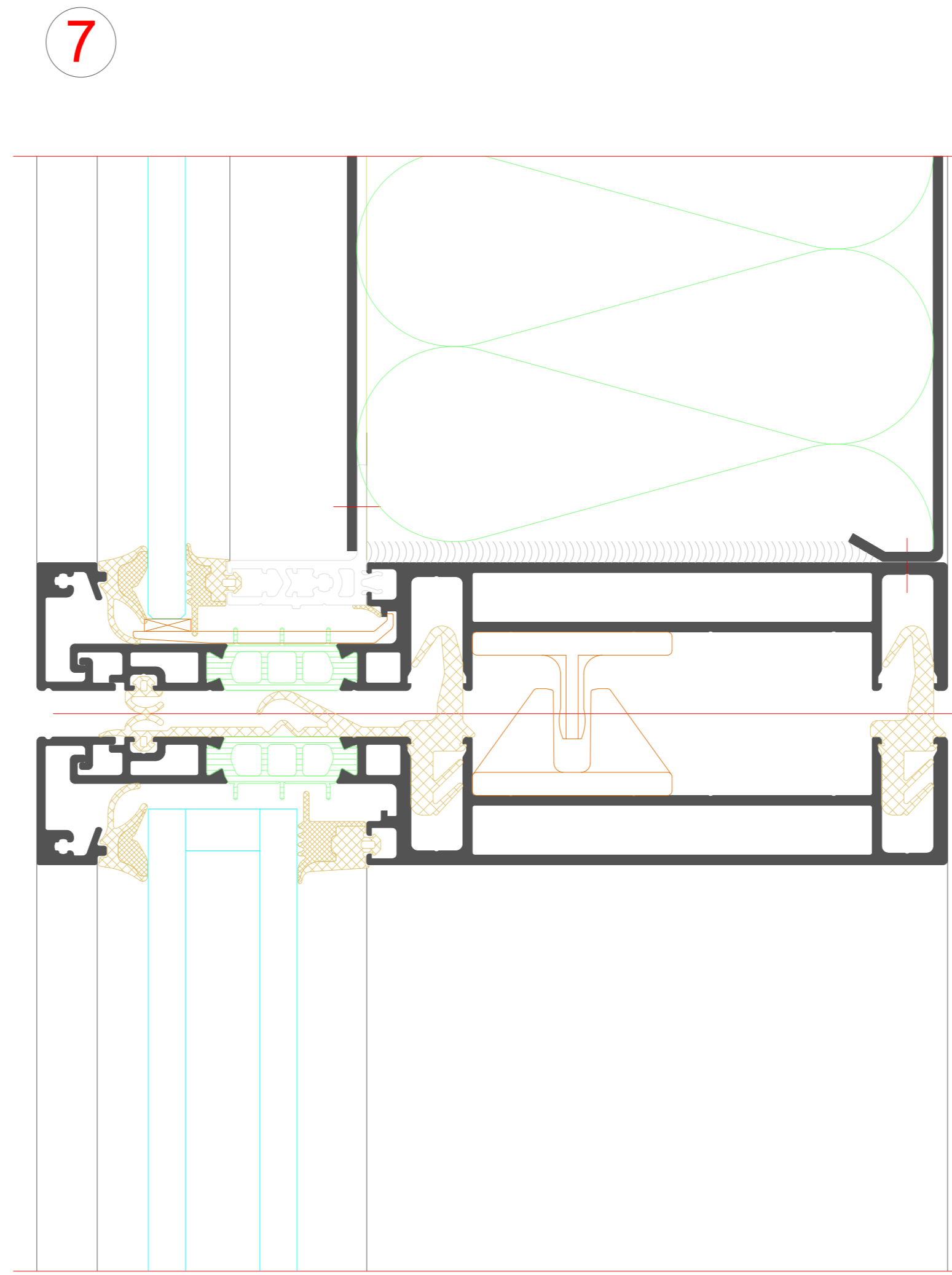
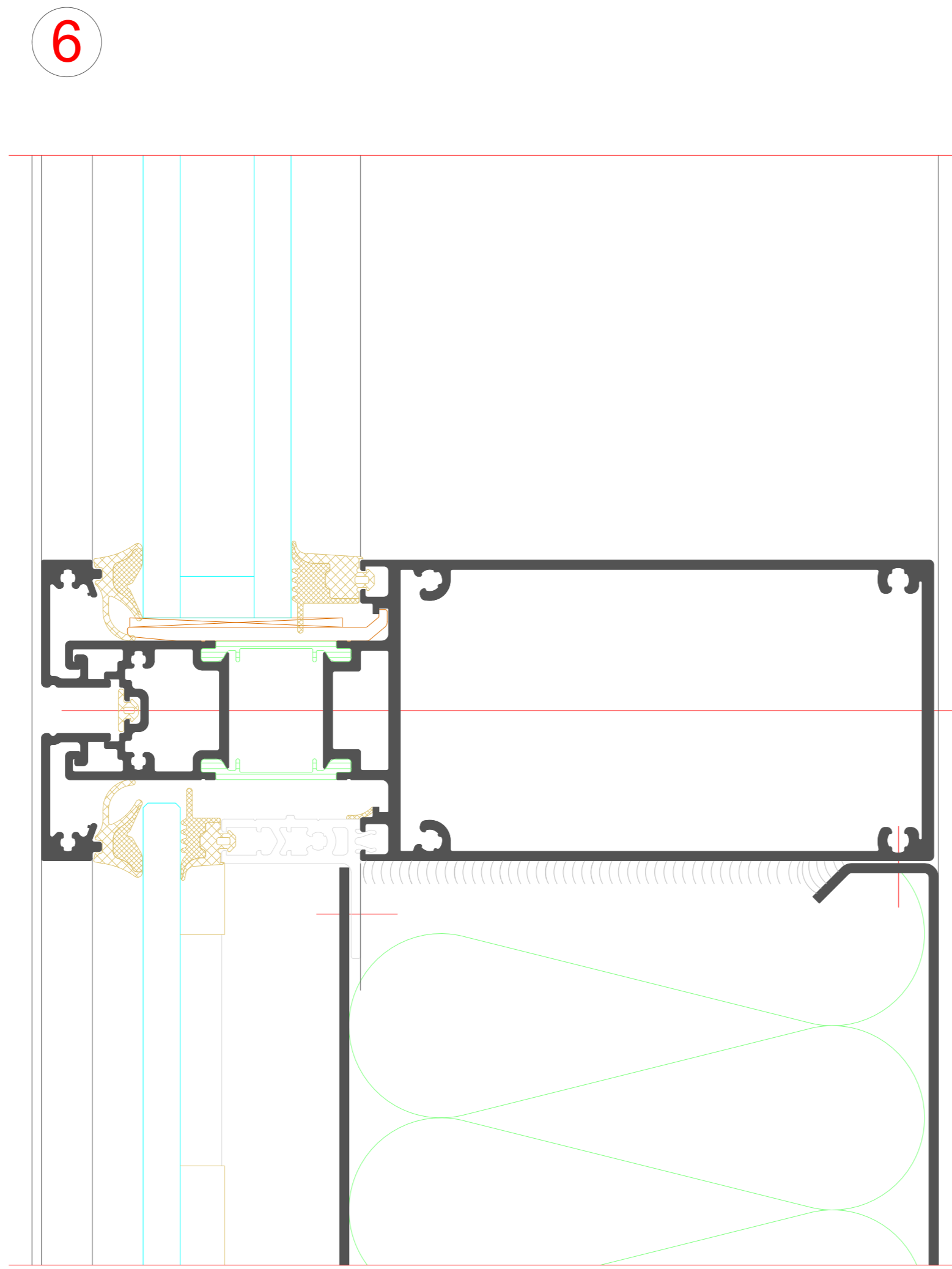
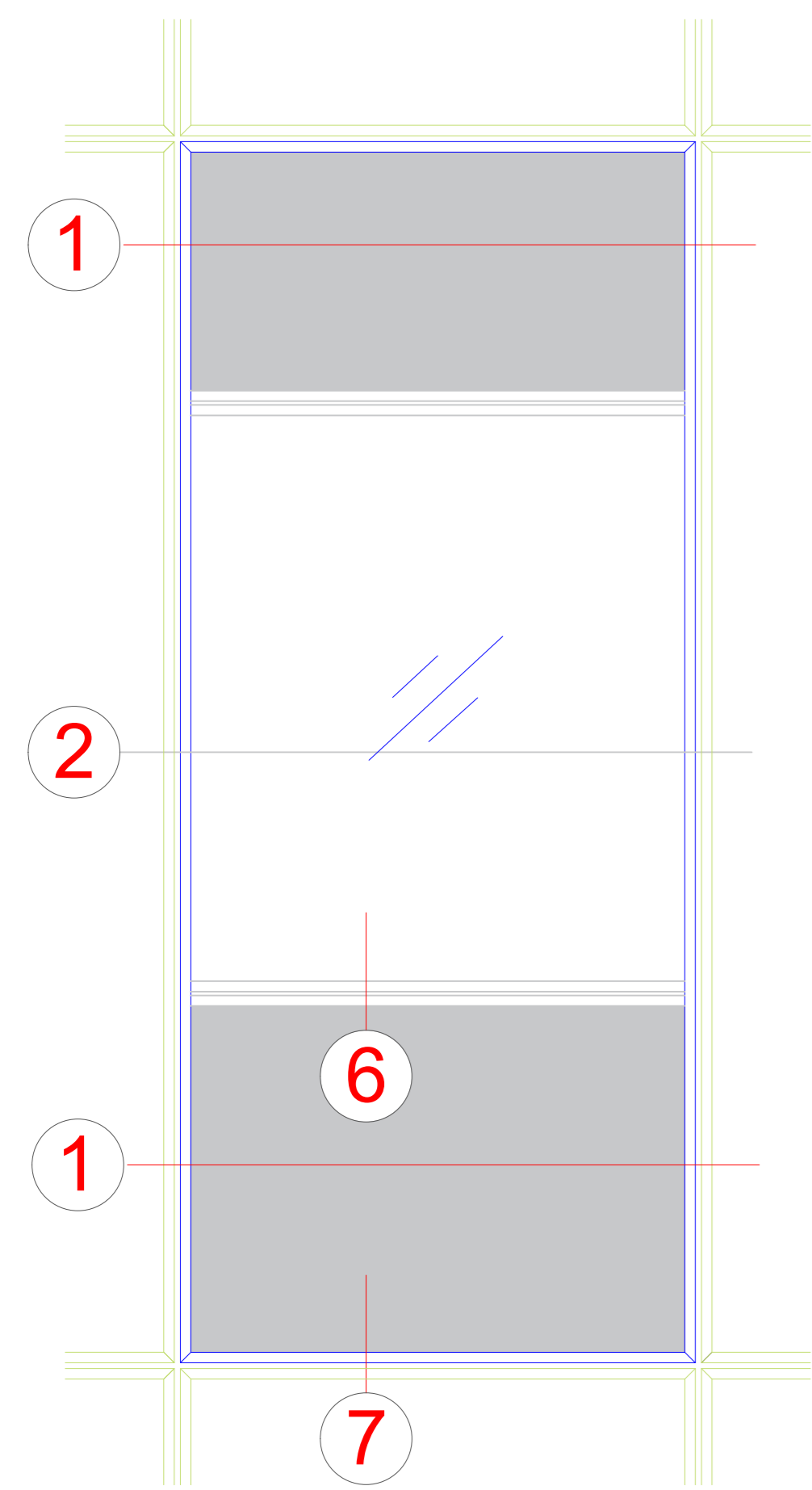




Standardelement  
Standard unit



Standardelement mit Brüstungsriegel  
 Standard unit with spandrel transom



NO.	DATE	REVISION	BY	CHECKED BY
1	2024	01		

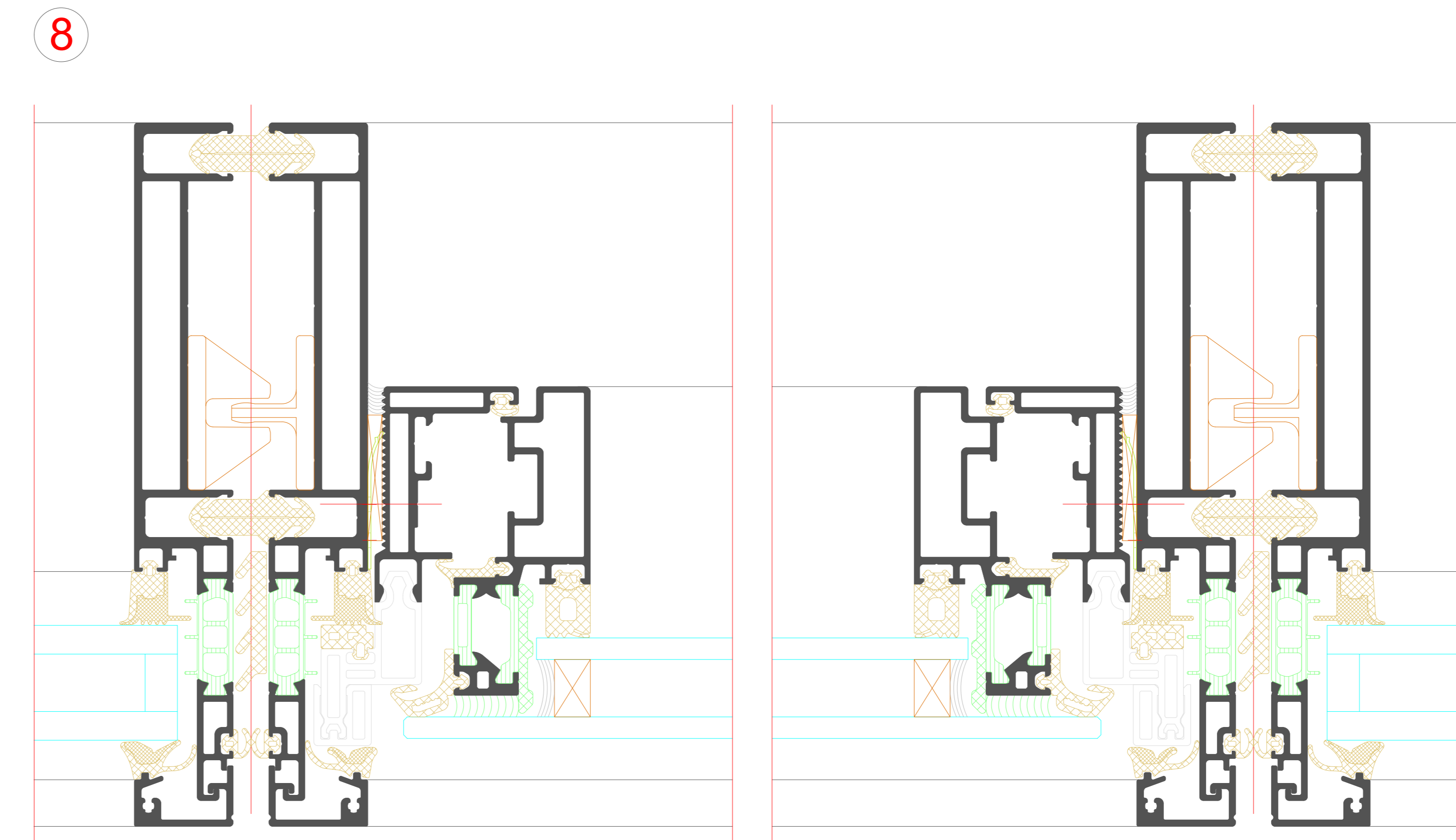
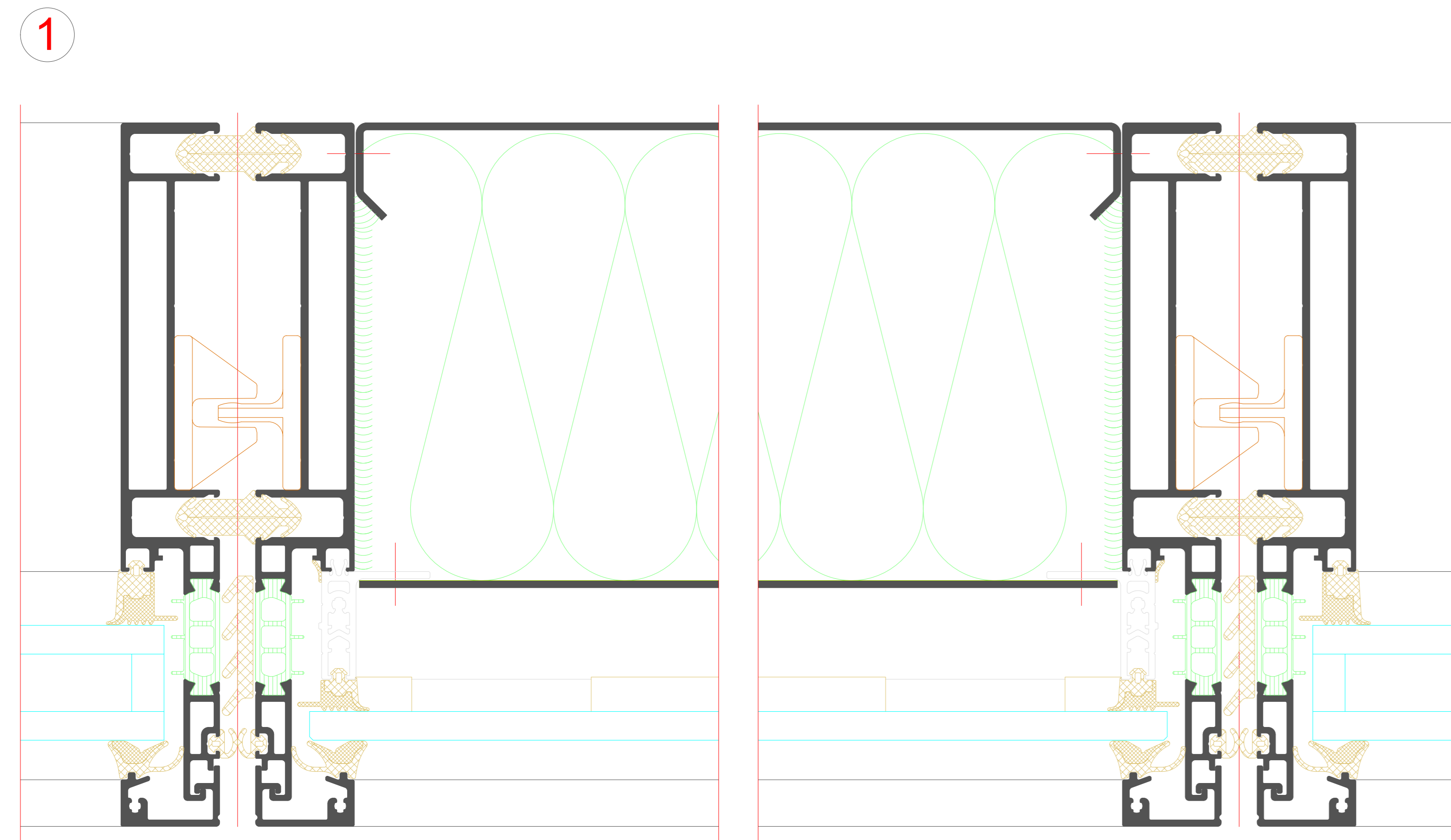
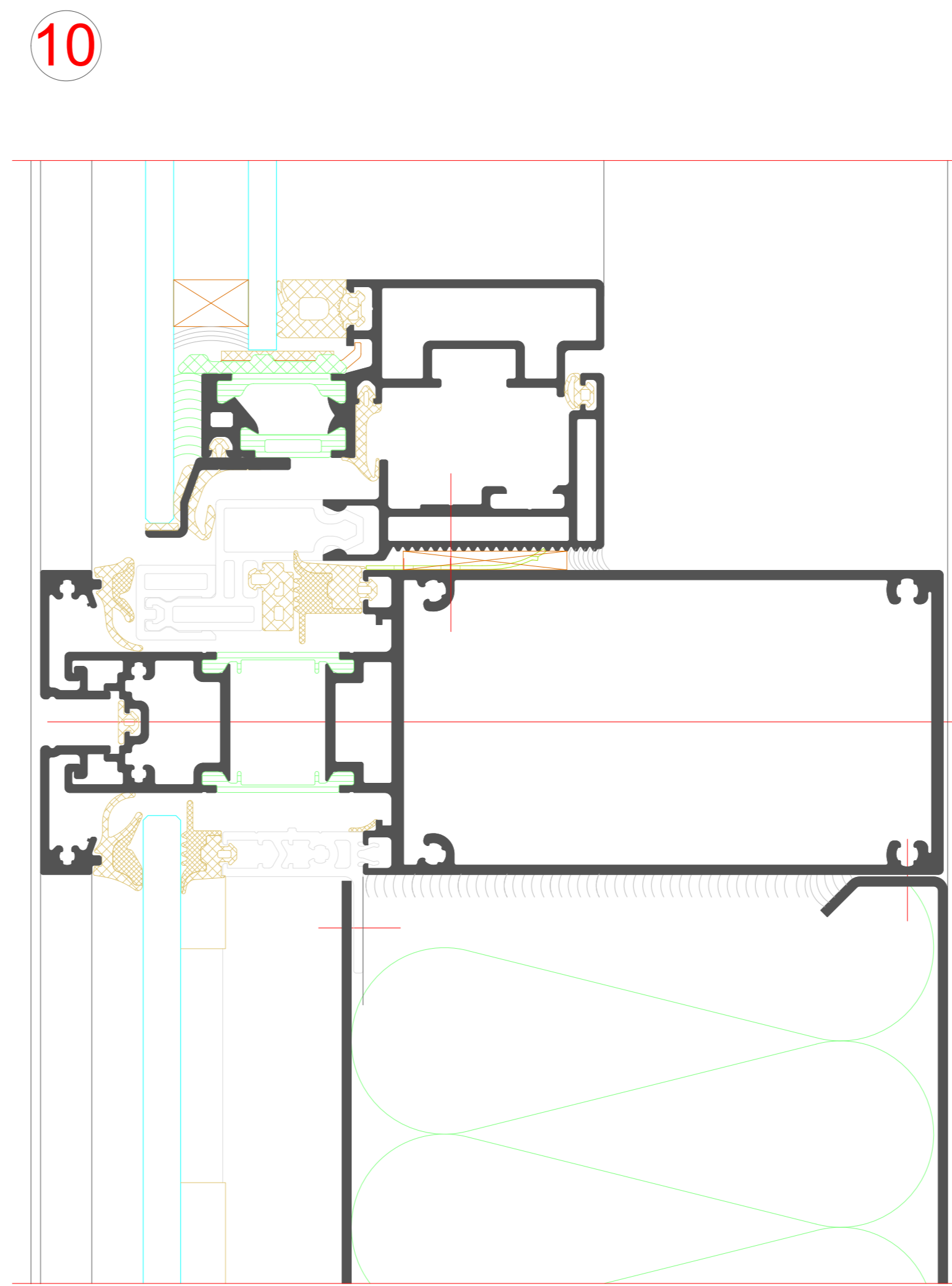
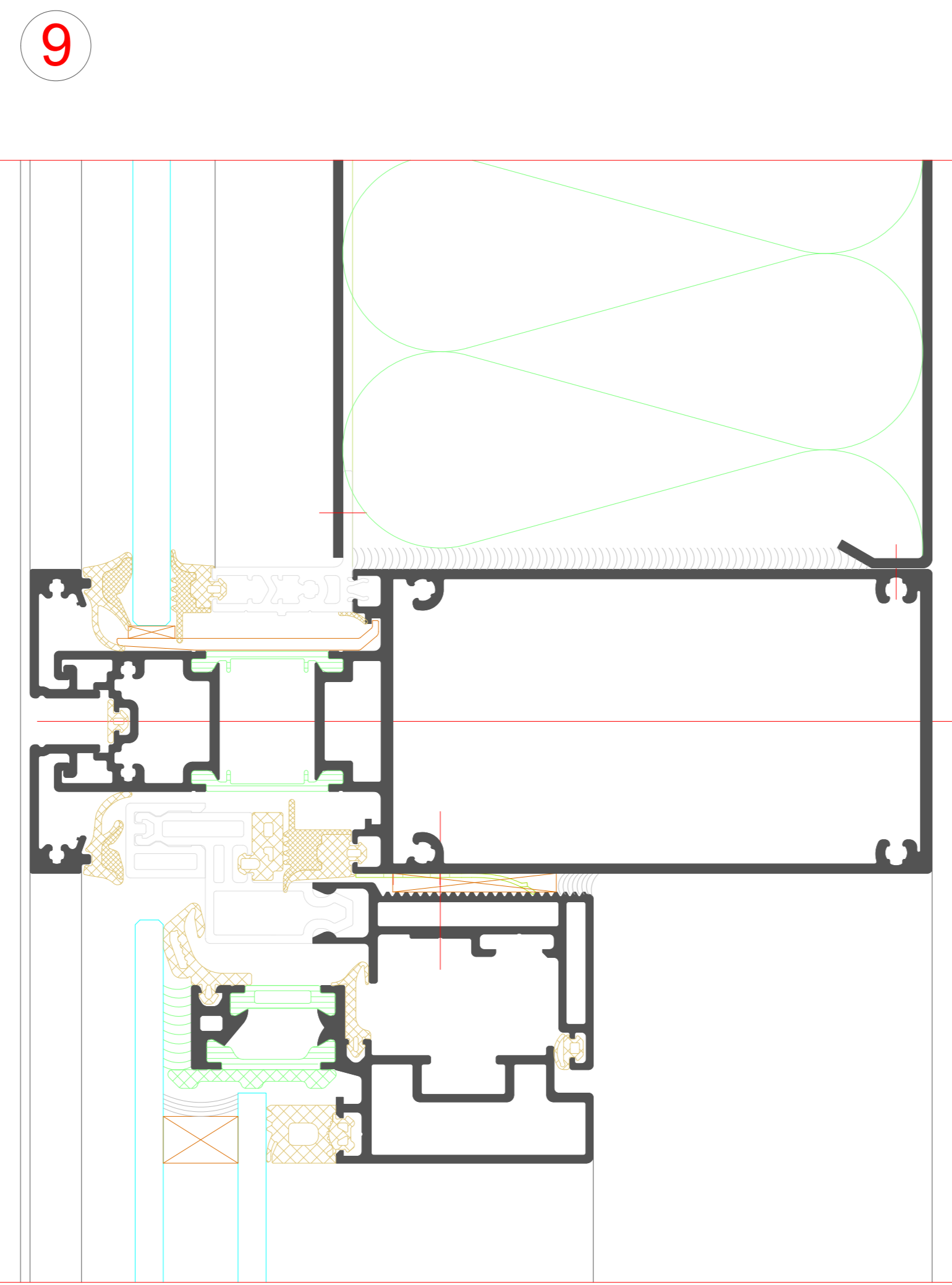
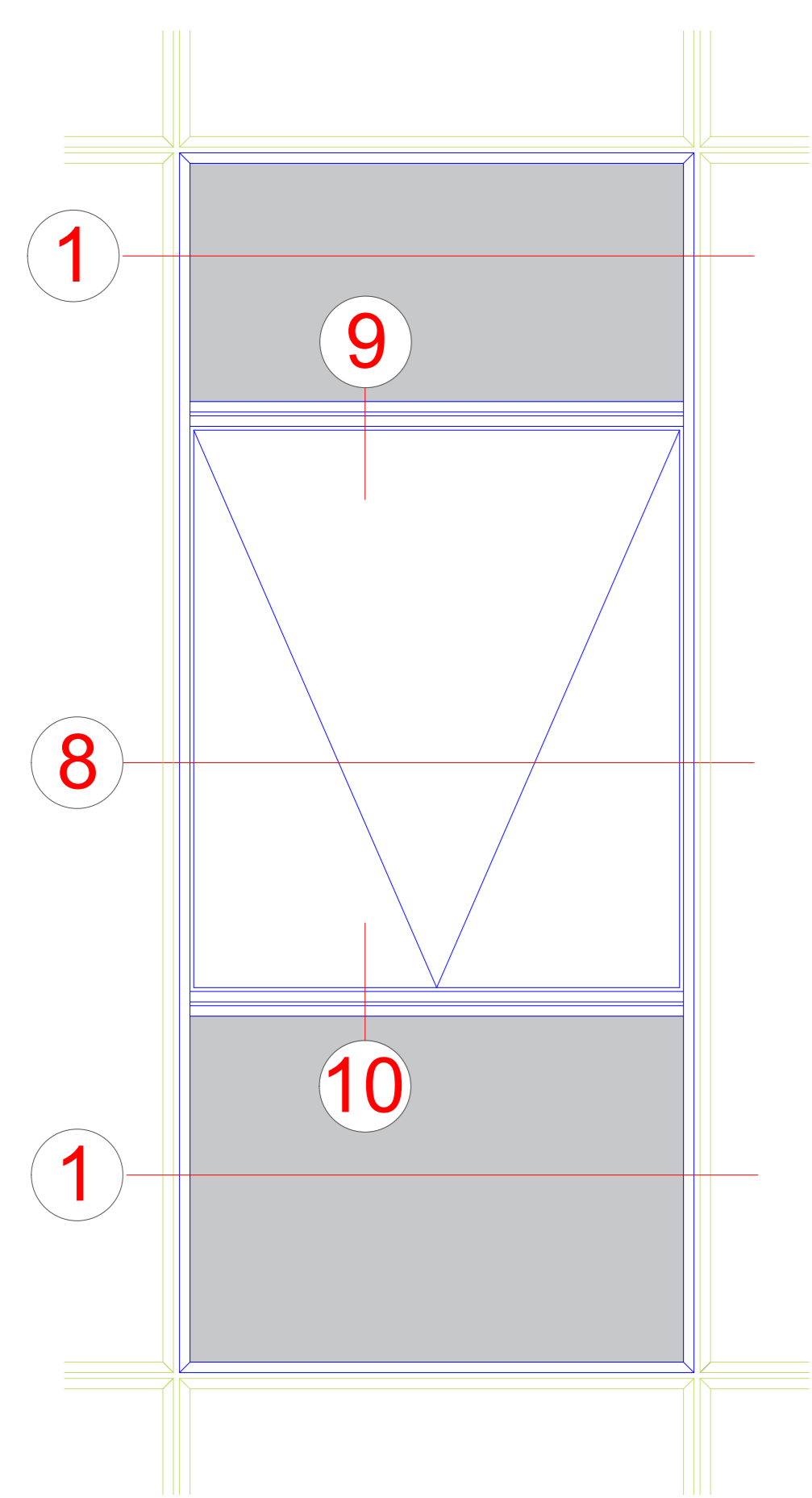
  

PROJECT	Riva Elementschleibe
DESCRIPTION	Riva Unit section details
PROJECT	Fassade RIVA USC 65 F
CLIENT	Facade RIVA USC 65 F
DATE	
SCALE	
PROJECT	
CLIENT	
DATE	
SCALE	

PROJECT	BENEDICT + RIVA GmbH
CLIENT	BRUNNEN AG
DATE	2024
SCALE	1:1

Standardelement mit AWS 114 SG  
 Standard unit with AWS 114 SG



NO.	DATE	REVISION	BY	CHECKED BY
1	2024	01		

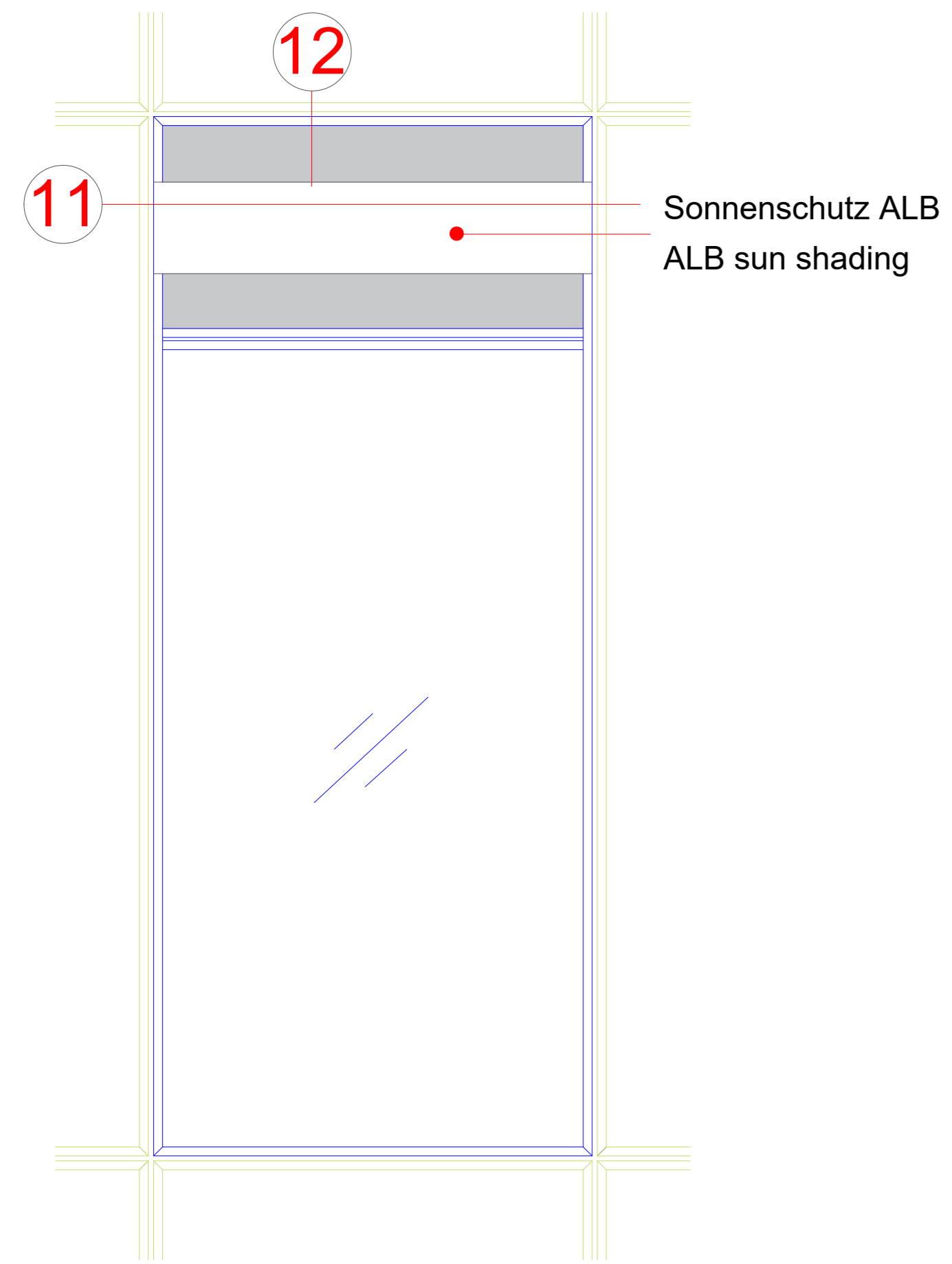
  

PROJECT	Riva Elemente
CLIENT	Riva Unit section details
DESIGNER	Faccide RIVA USC 65 F
MANUFACTURER	Faccide RIVA USC 65 F

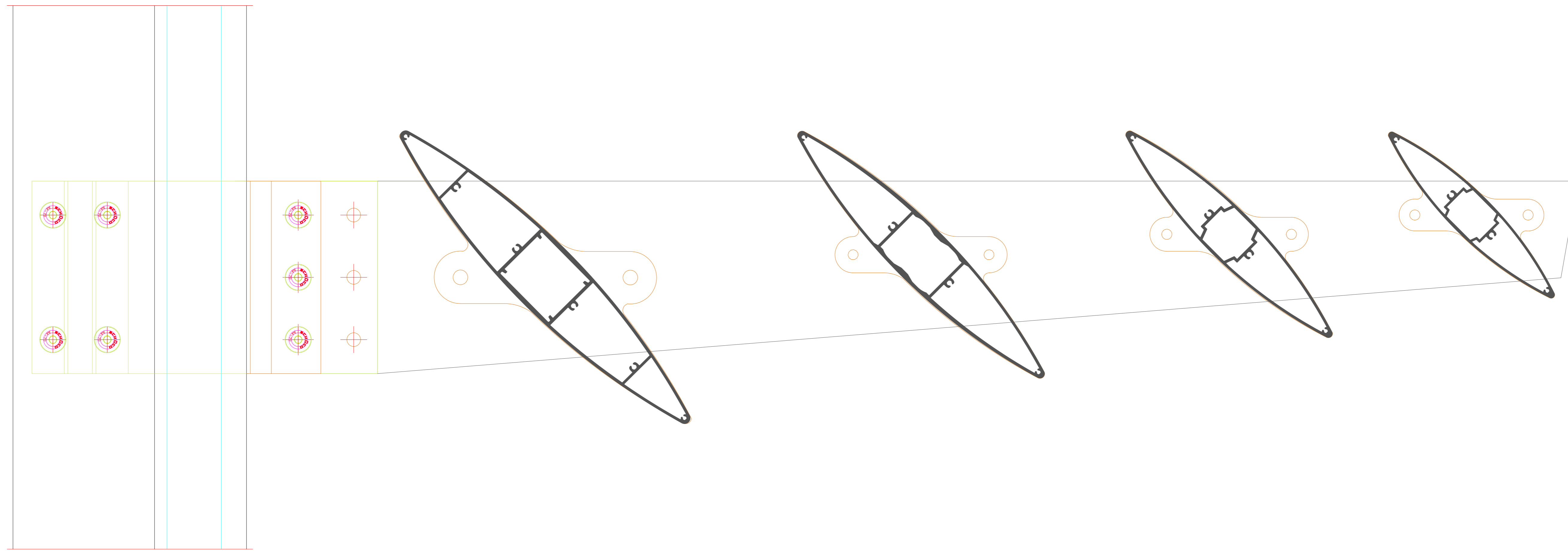
  

PROJECT	DATE	DESIGNER	CHECKED	DATE	BY

Standardelement mit ALB  
Standard unit with ALB

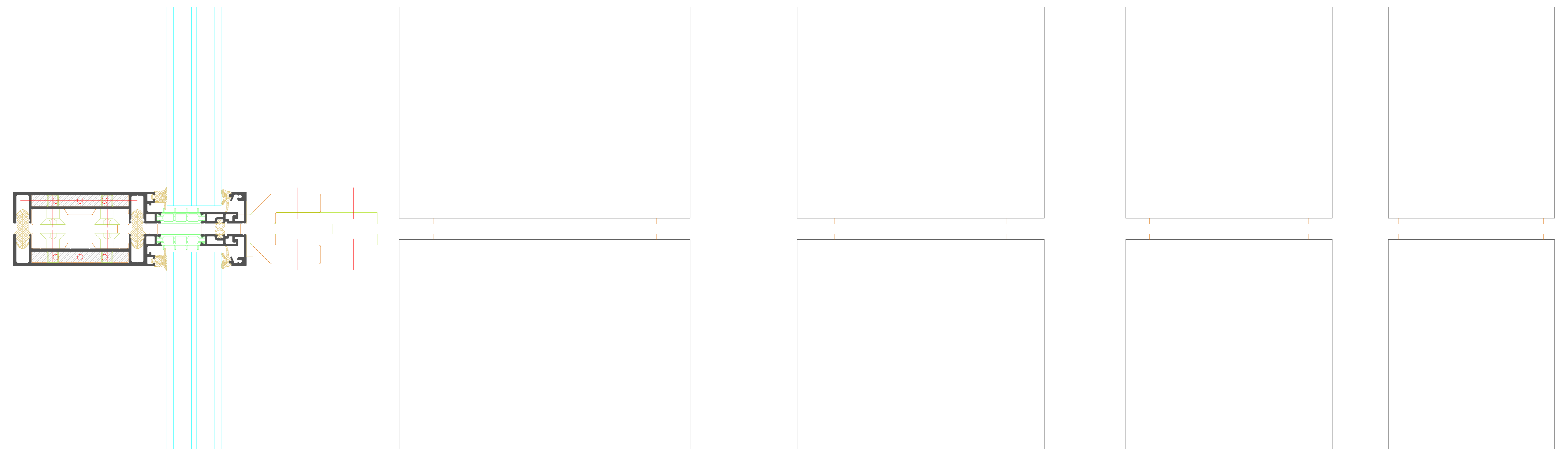


12



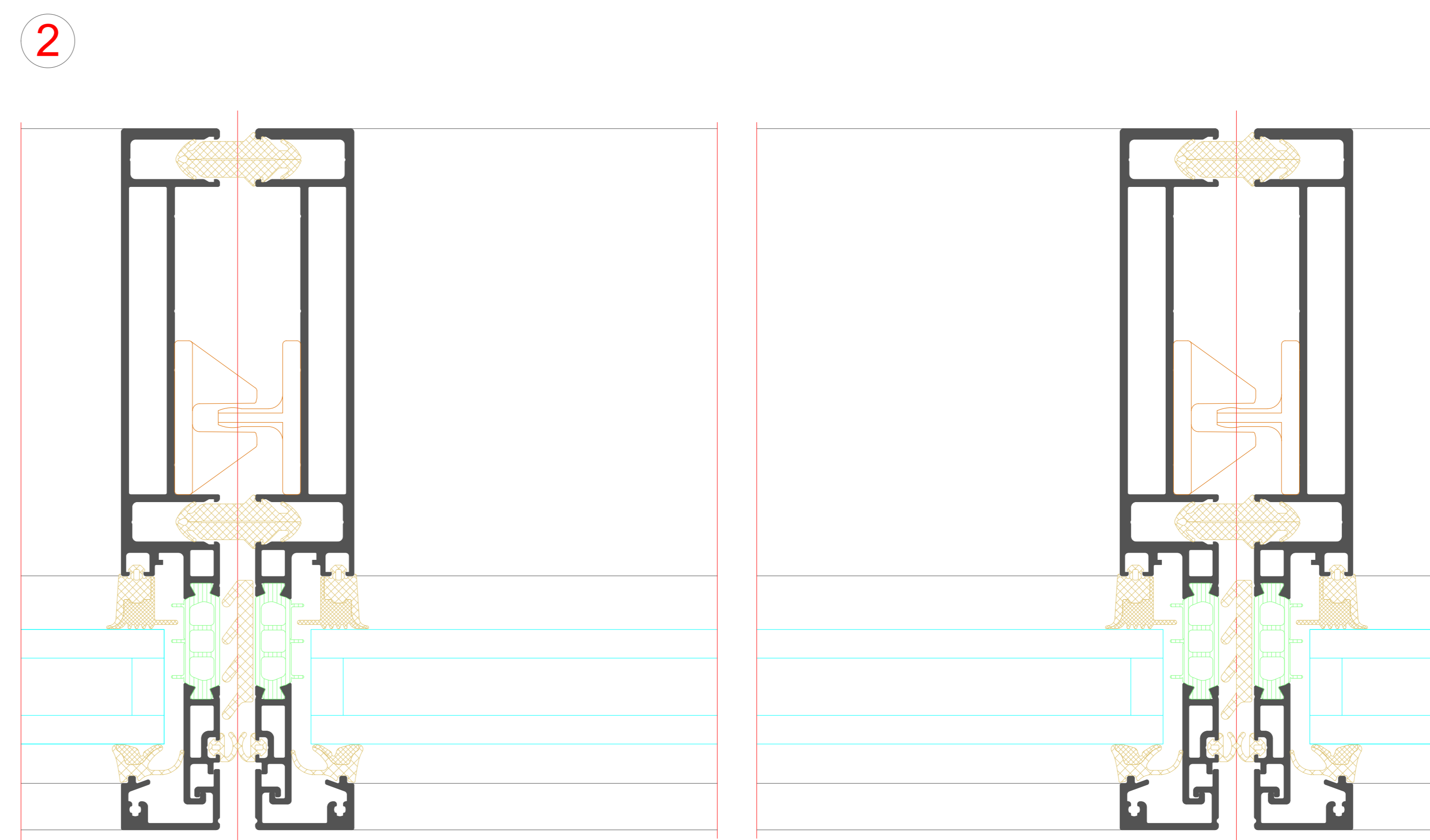
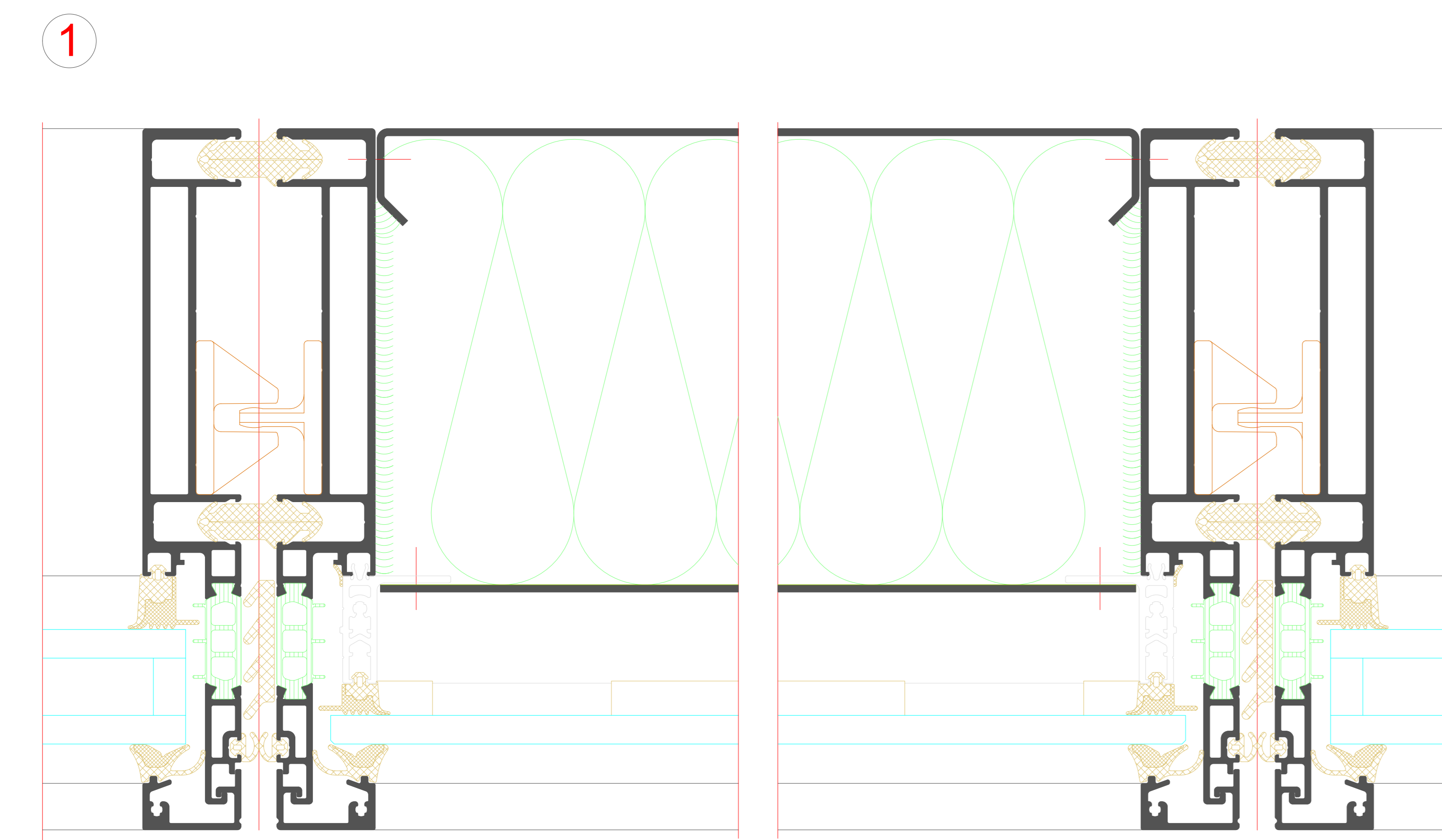
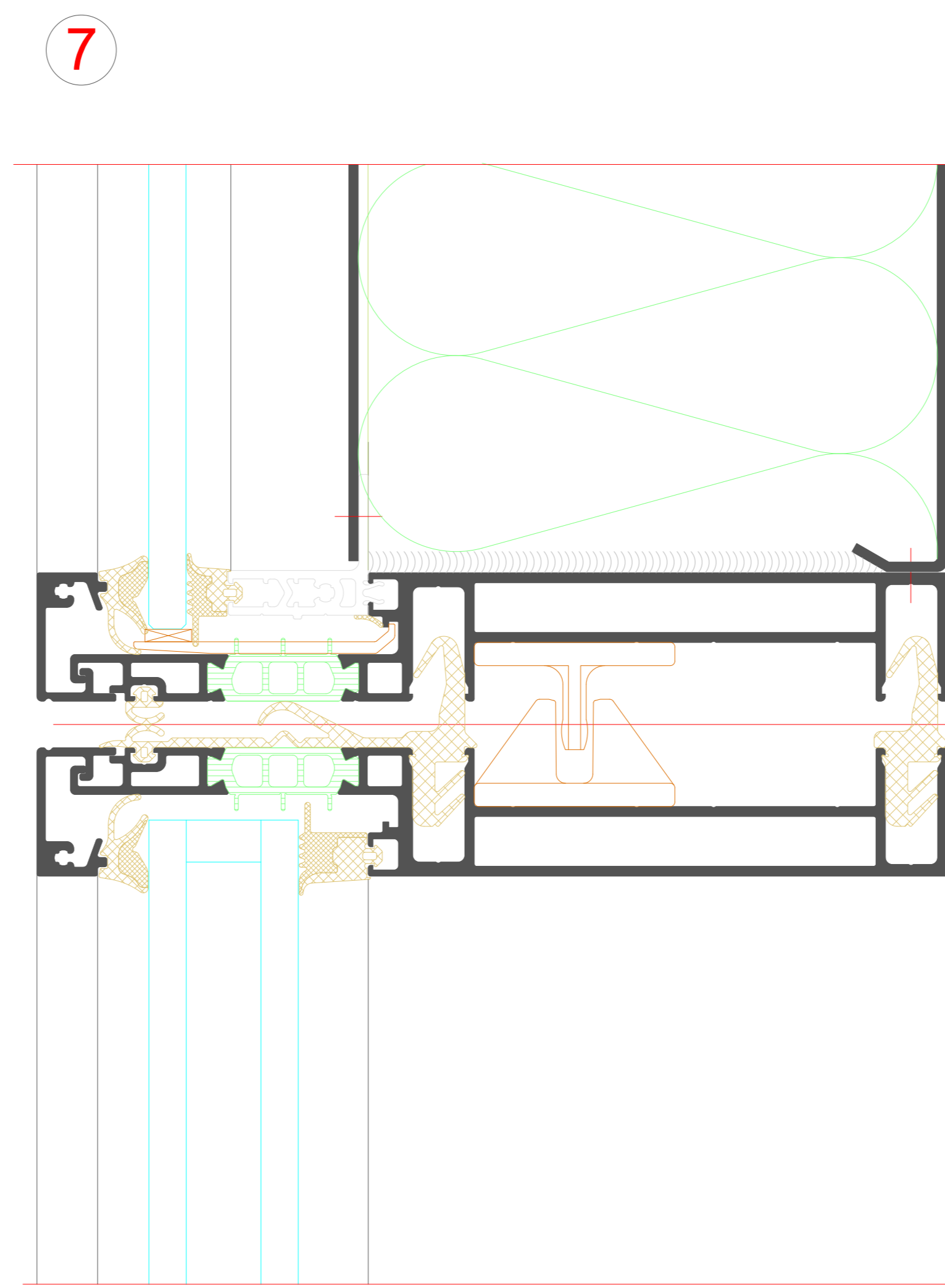
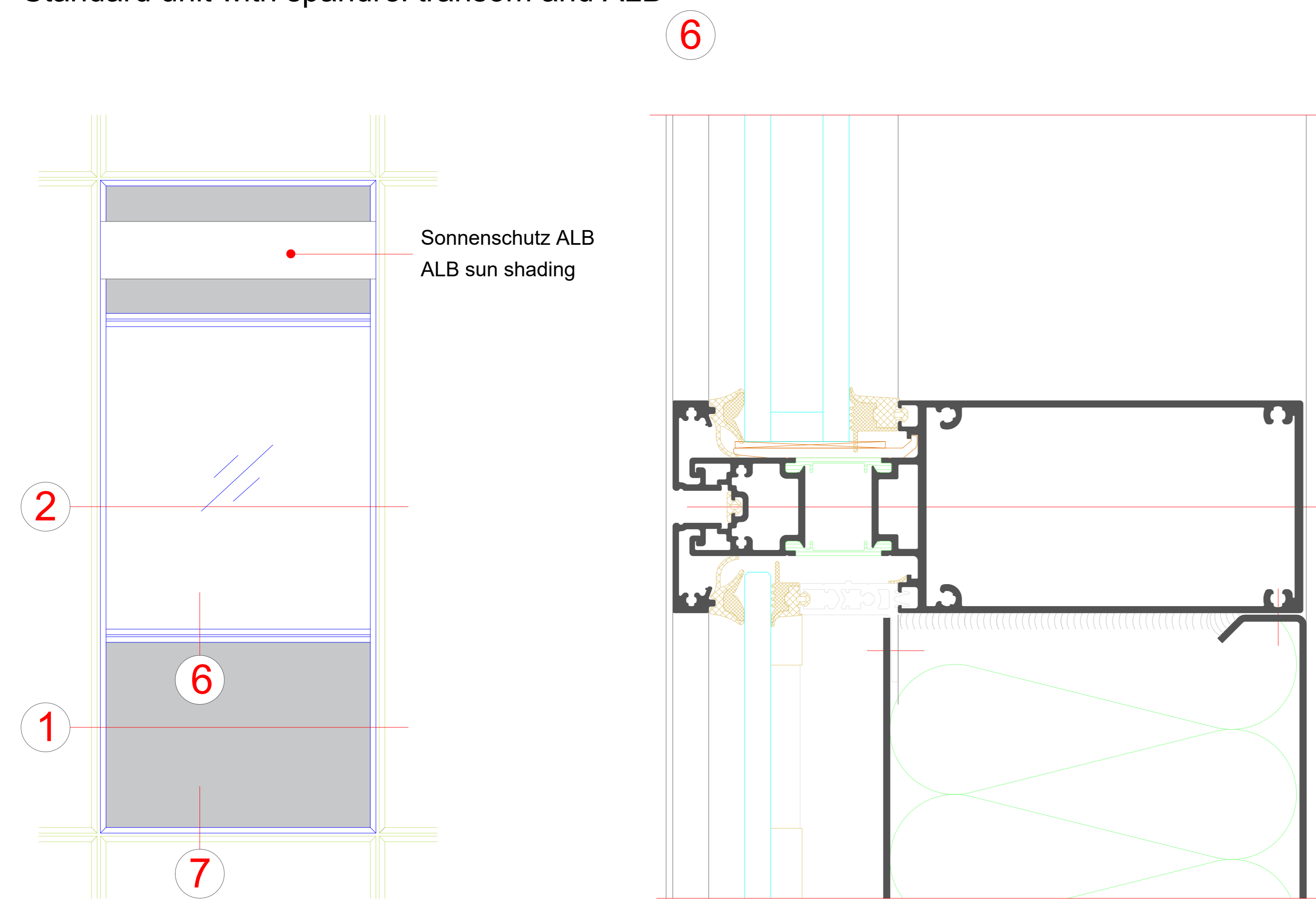
M 1:2

11

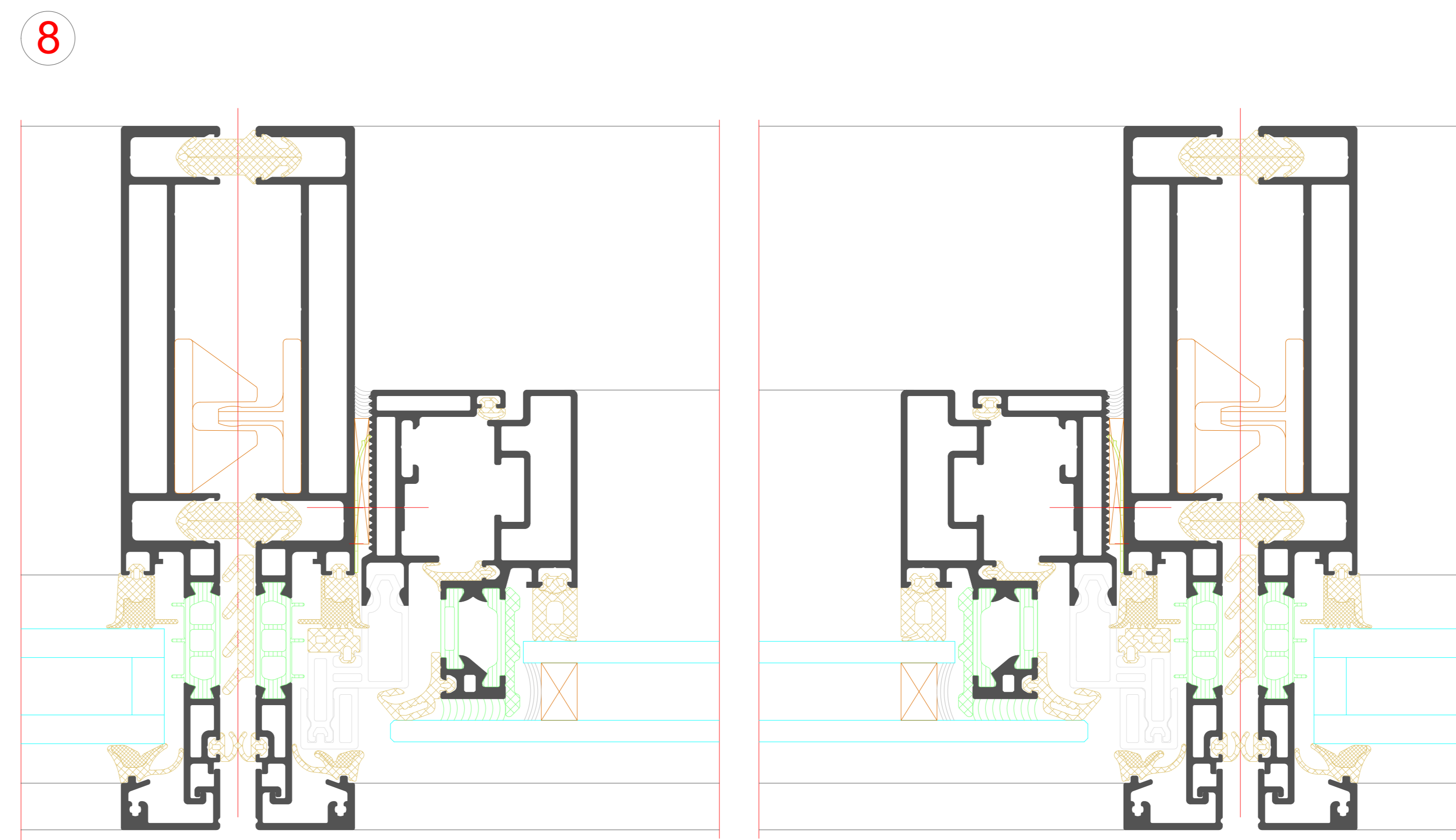
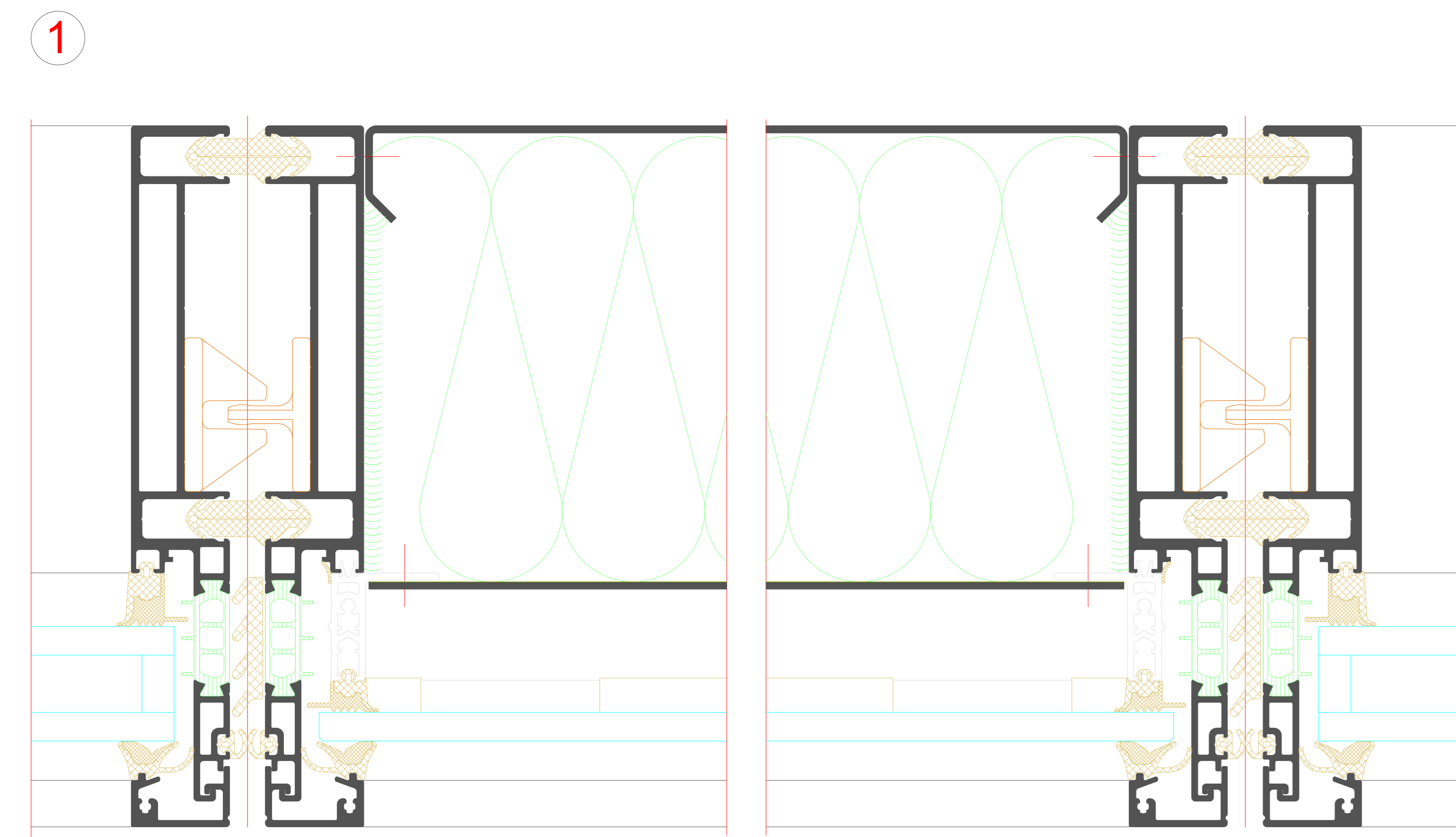
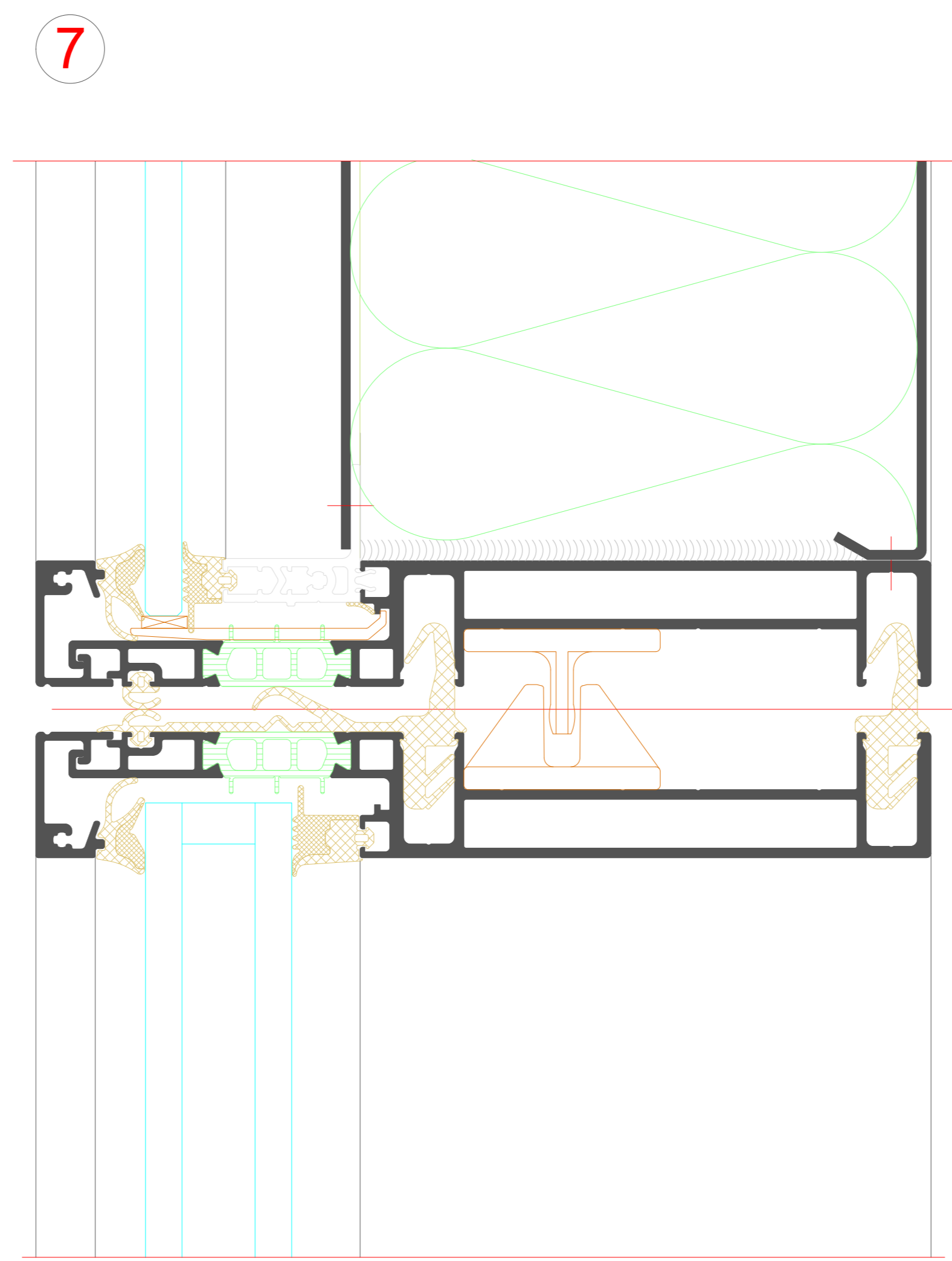
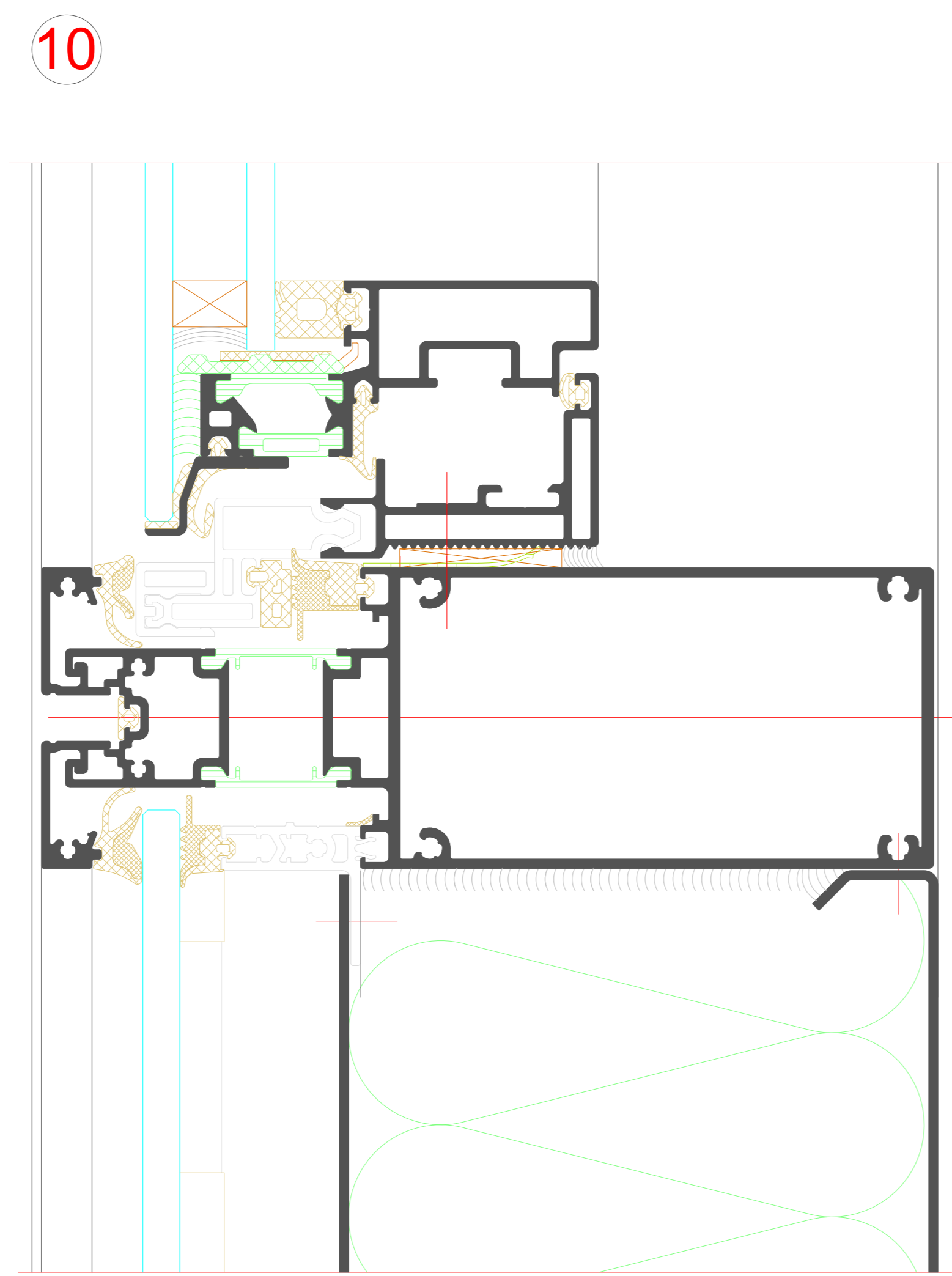
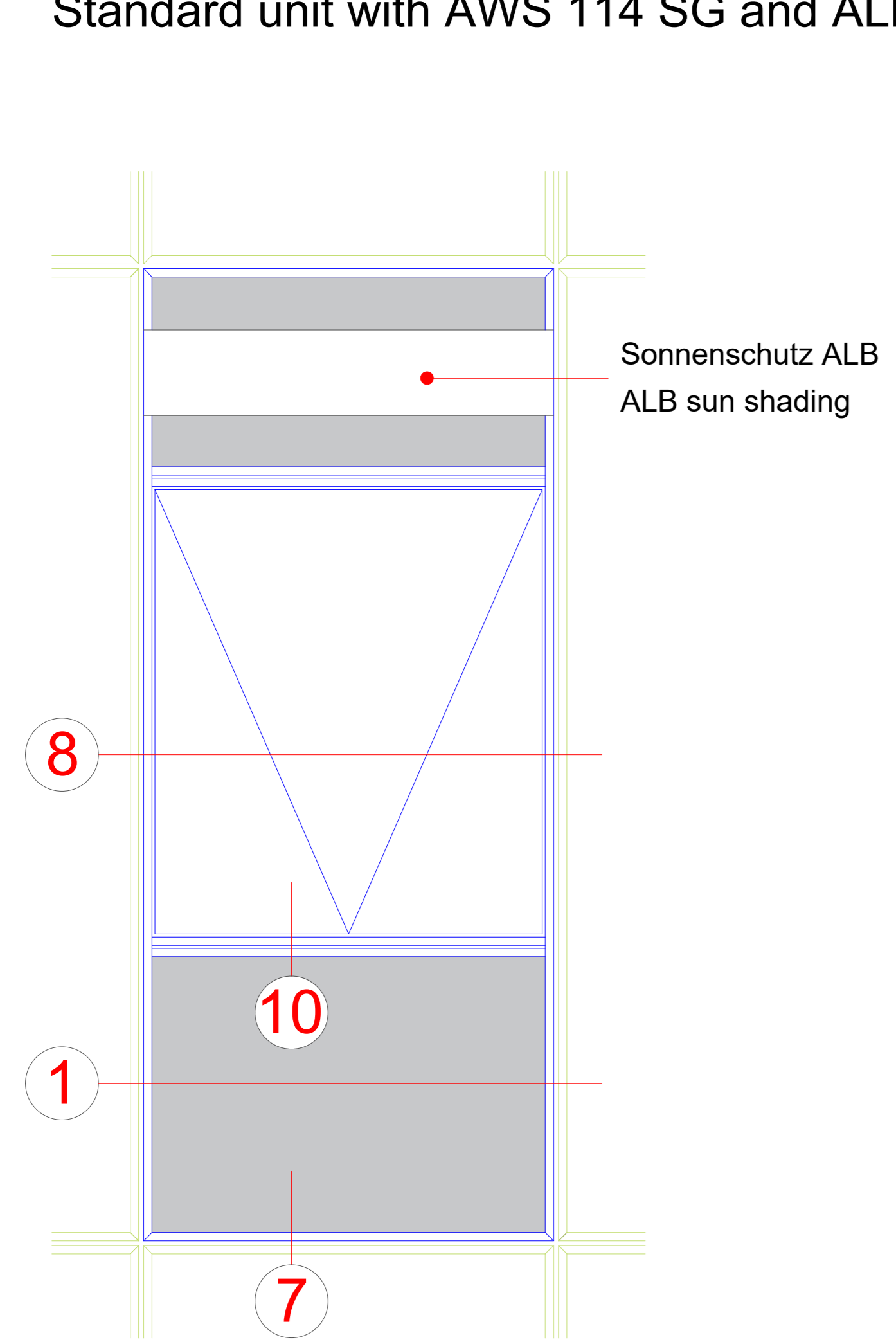


M 1:2

Standardelement mit Brüstungsriegel & ALB  
 Standard unit with spandrel transom and ALB



Standardelement mit AWS 114 SG & ALB  
 Standard unit with AWS 114 SG and ALB



NO.	DATE	REVISION	BY	CHECKED BY
1	2024	01		

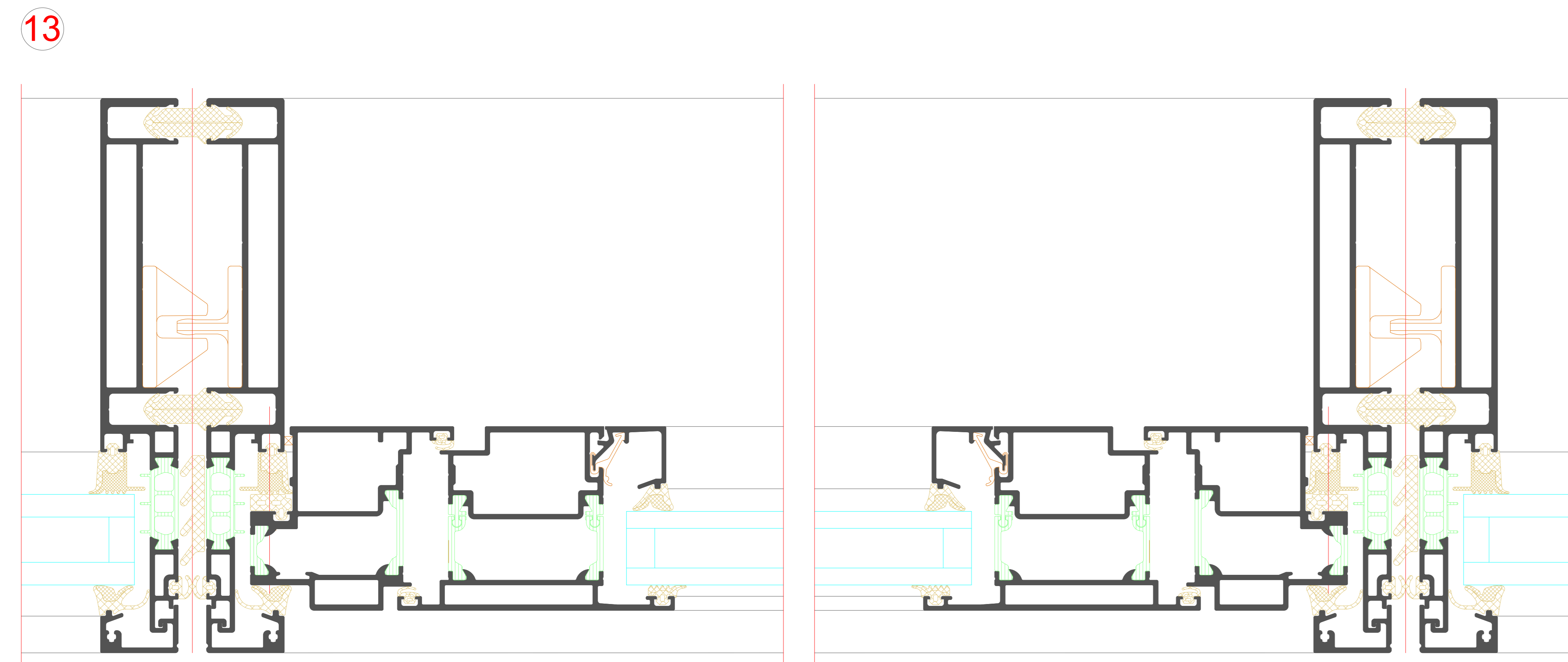
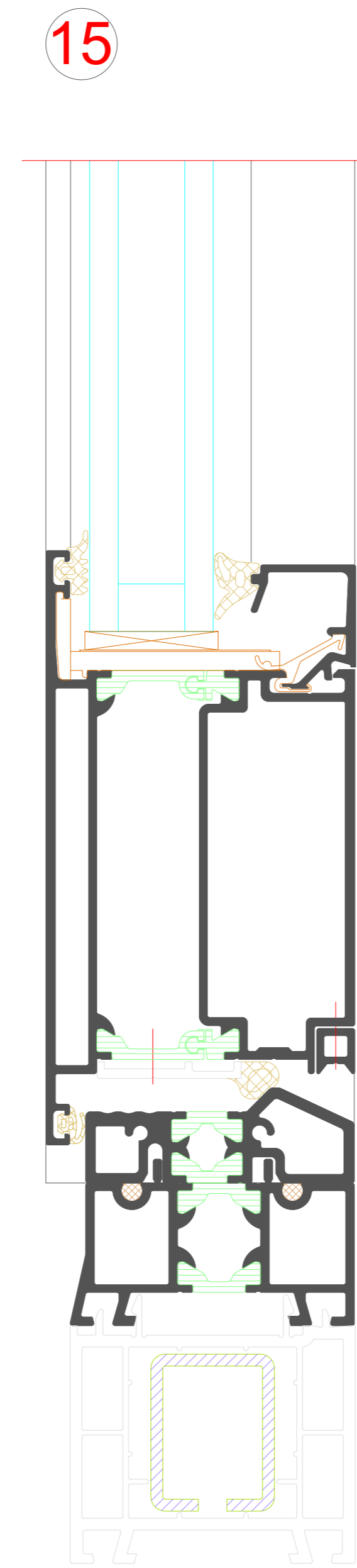
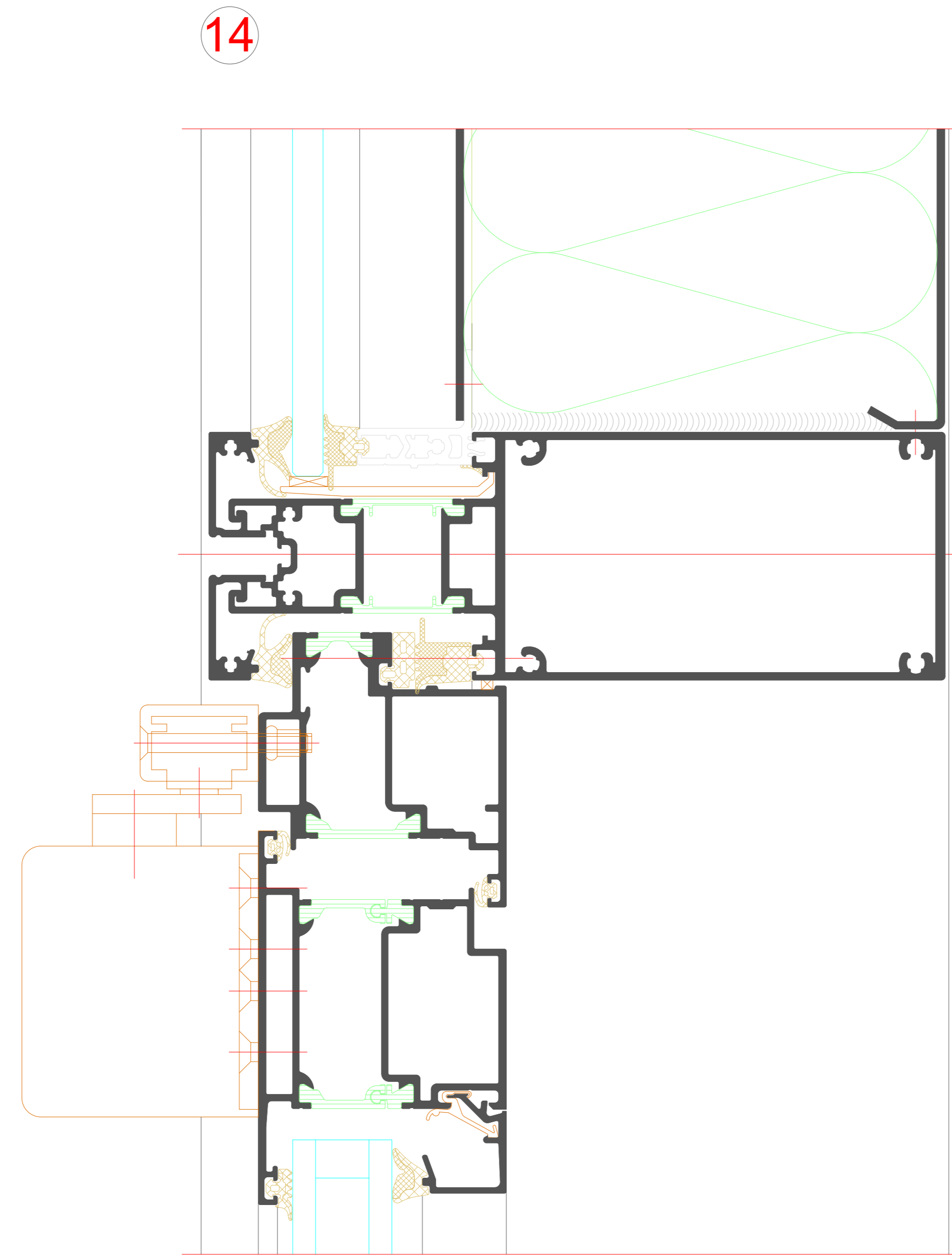
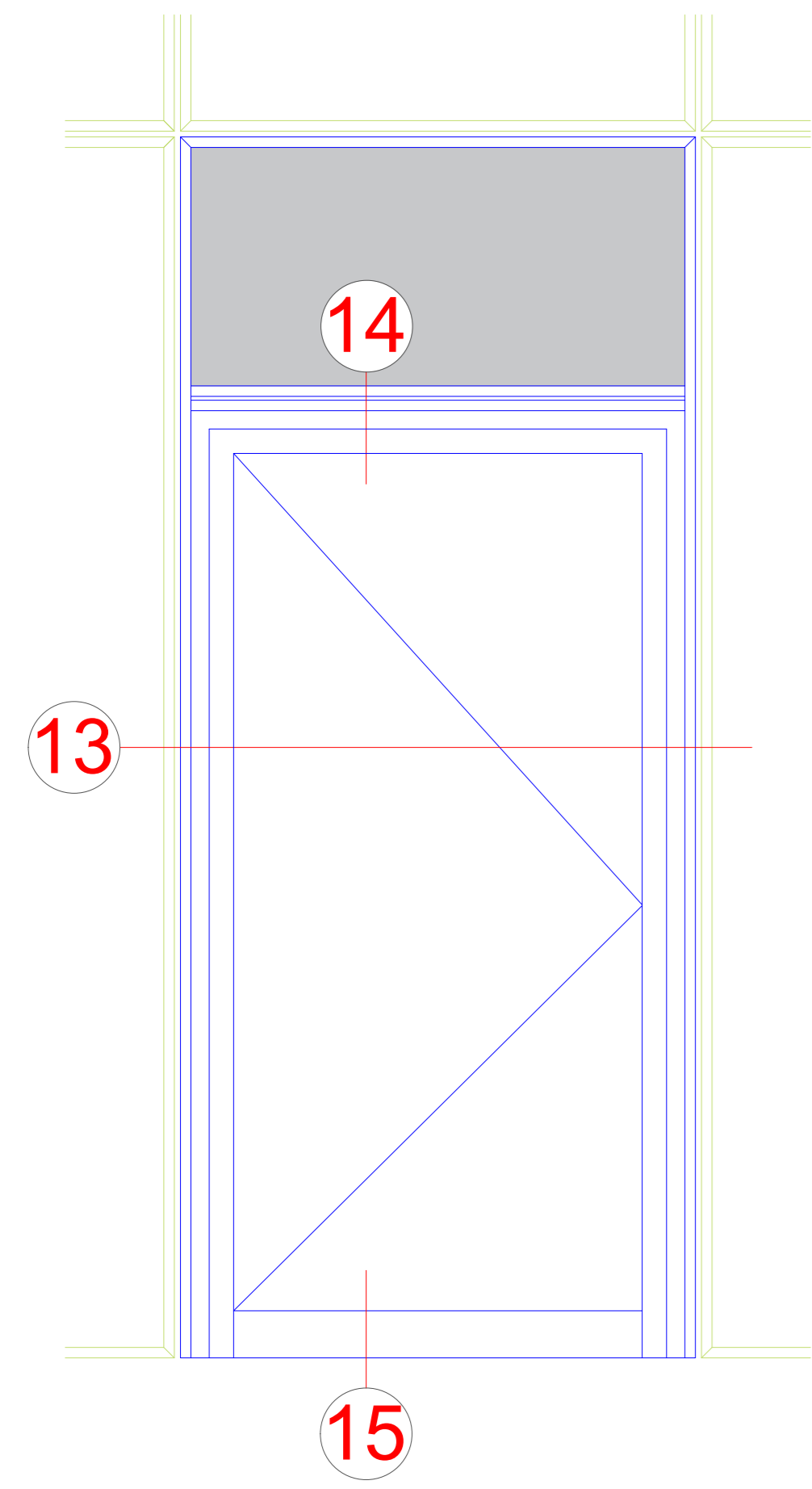
PROJECT	Fassade RIVA USC 65 F	PROJECT NO.	
CLIENT	Facade RIVA USC 65 F	CLIENT NO.	
DESIGNER		DESIGNER NO.	
DATE		DATE	

PROJECT	Fassade RIVA USC 65 F	PROJECT NO.	
CLIENT	Facade RIVA USC 65 F	CLIENT NO.	
DESIGNER		DESIGNER NO.	
DATE		DATE	

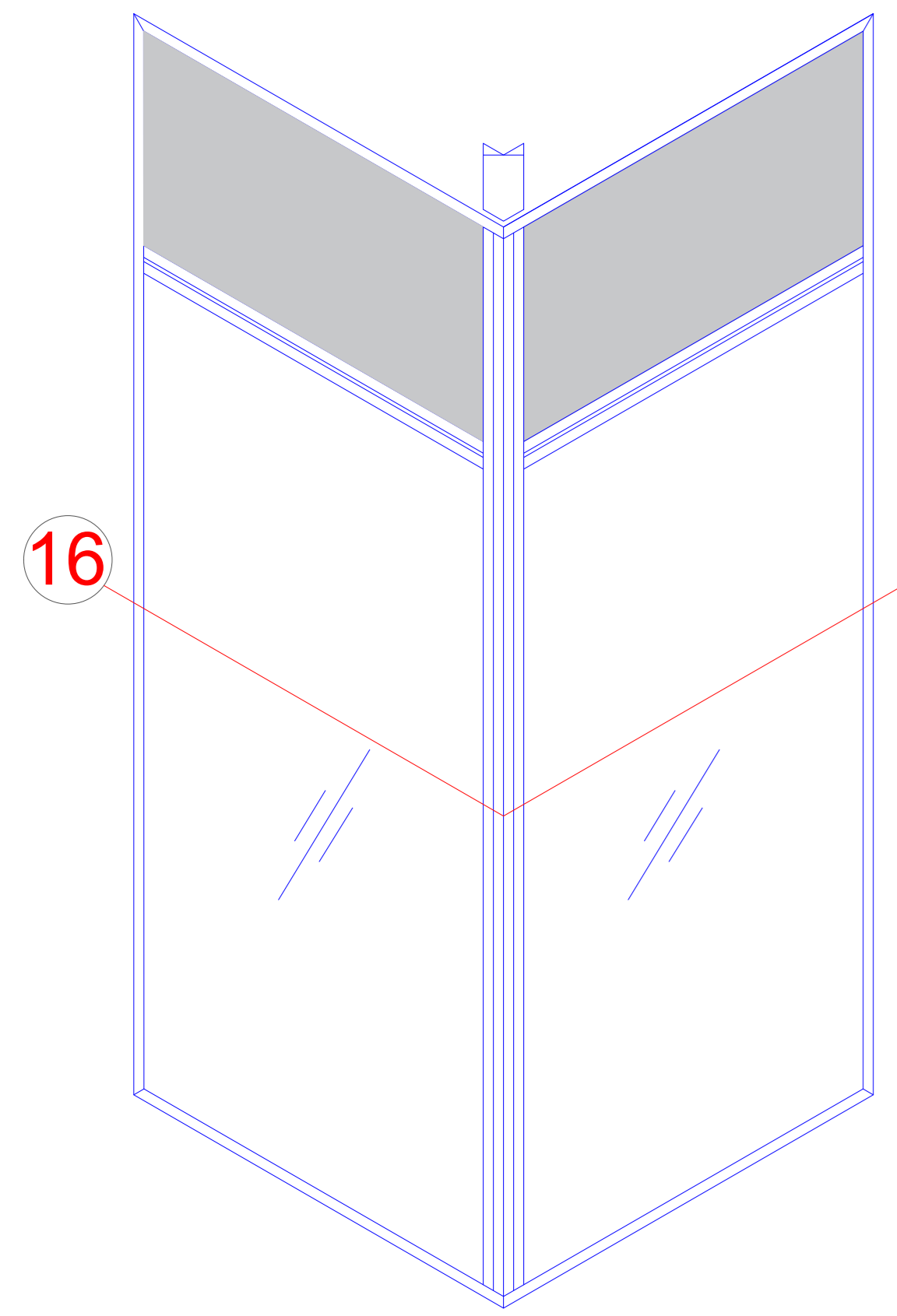


Standardelement mit ADS 65  
 Standard unit with ADS 65



NO.	DATE	REVISION	BY	CHECKED	GROUP
001	2024	01	...	...	...
<p>Project: Riva Elementarteile            Riva Unit section details</p> <p>Client: ...            Project: ...            Location: ...</p>					
<p>Author: ...            Designer: ...            Engineer: ...            Checker: ...            Approver: ...</p>					
<p>Scale: ...            Unit: ...</p>					
<p>Notes: ...</p>					

90° Außenecke  
90° outer corner



16

