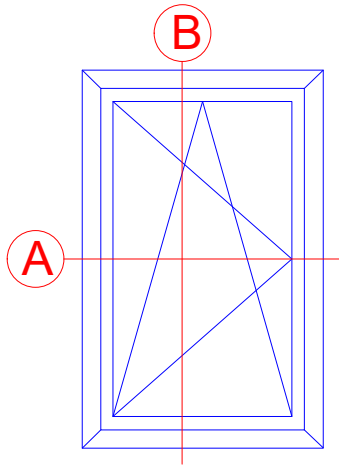


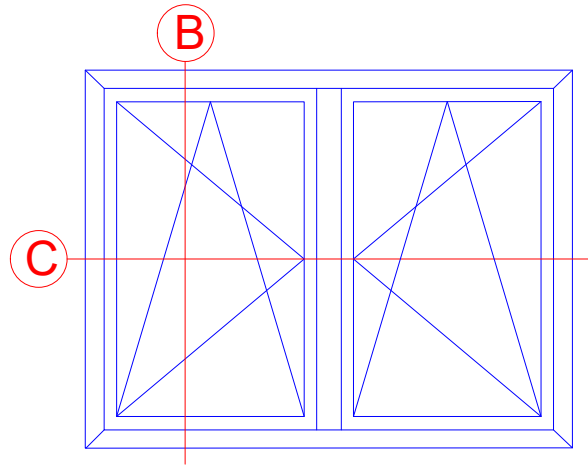
Einflügeliges Fenster

Single-vent window



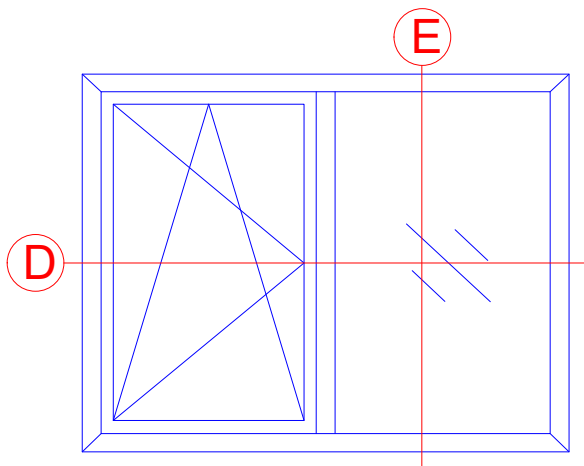
Zweiflügeliges Fenster

Double-vent window



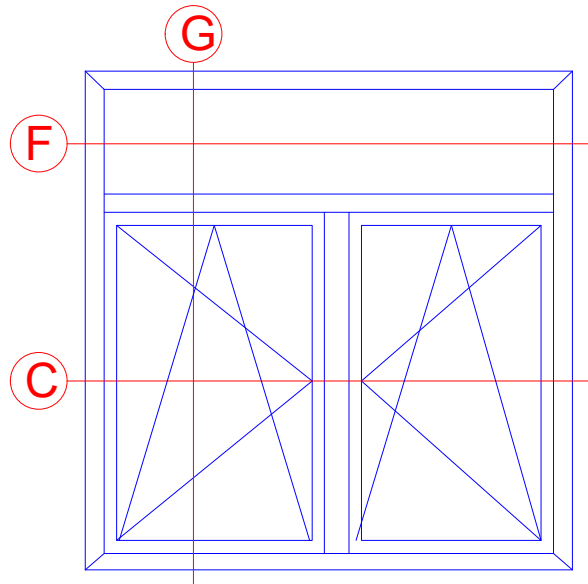
Einflügeliges Fenster mit Festfeld

Single-vent window with fixed light



Zweiflügeliges Fenster mit festem Oberlicht

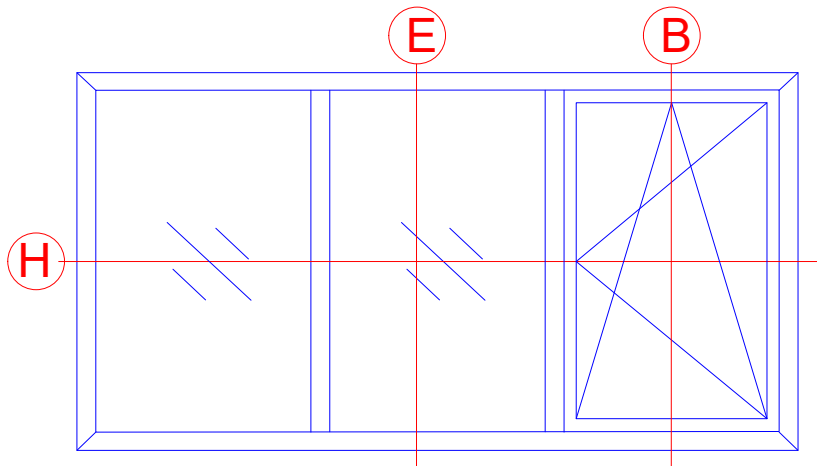
Double-vent window with fixed toplight



-	-	-	-	-
INDEX	DATUM	ÄNDERUNG	GEZEICHNET	GEPRÜFT
INDEX	DATE	CHANGE	DESIGNED BY	CHECKED BY
PLANINHALT PLAN CONTENT				DATUM DATE
Riva Elementbeispiele Riva Unit examples				
PROJEKT PROJECT				PROJEKT NR. PROJECT NR.
Fenster RIVA AWS 75 PD.SI Innen öffnend Window RIVA AWS 75 PD.SI inward opening				
BAUHERR CLIENT				
-				
PLANVERFASSER PLANNER				
BENEDICT + RIVA			BENEDICT + RIVA GmbH Rödelstrasse 13 04229 Leipzig, Germany	
ANSPRECHPARTNER CONTACT PERSON		Matthias Anderle		
PLANART PLANNING TYPE	STATUS STATUS	PLANFORMAT FORMAT	MAßSTAB SCALE	GEZEICHNET DESIGNED BY
-	-	DIN A4	-	B.J.Ni
PLANNUMMER DOCUMENT NUMBER				
-				

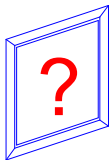
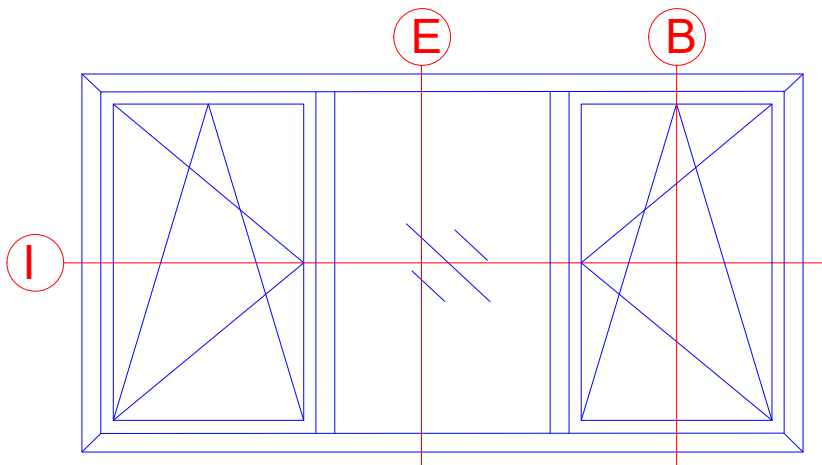
Einflügliges Fenster im Fensterband

Single-vent window in ribbon window



Zwei einflüglige Fenster im Fensterband

Two single-vent windows in the ribbon window



Einsatzelemente sind in Fassadensystemen zu finden

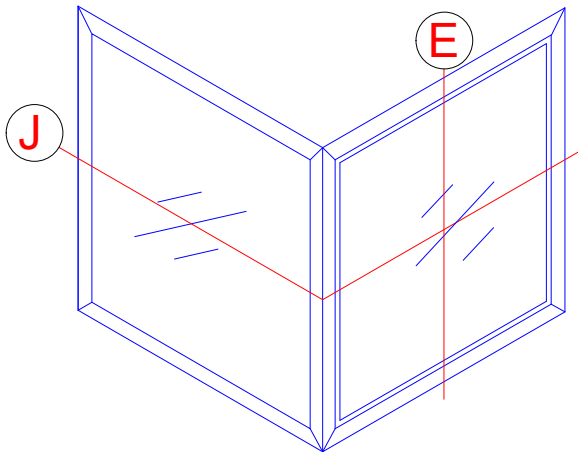
Insert units can be found in façade systems

-	-	-	-	-
INDEX INDEX	DATUM DATE	ÄNDERUNG CHANGE	GEZEICHNET DESIGNED BY	GEPRÜFT CHECKED BY
PLANINHALT PLAN CONTENT Riva Elementbeispiele Riva Unit examples				DATUM DATE
PROJEKT PROJECT Fenster RIVA AWS 75 PD.SI Innen öffnend Window RIVA AWS 75 PD.SI inward opening				PROJEKT NR. PROJECT NR.
BAUHERR CLIENT -				
PLANVERFASSER PLANNER BENEDICT + RIVA BENEDICT + RIVA GmbH Rödelstrasse 13 04229 Leipzig, Germany				
ANSPRECHPARTNER CONTACT PERSON		Matthias Anderle		
PLANART PLANNING TYPE	STATUS STATUS	PLANFORMAT FORMAT DIN A4	MAßSTAB SCALE	GEZEICHNET DESIGNED BY B.J.Ni
PLANNUMMER DOCUMENT NUMBER -				



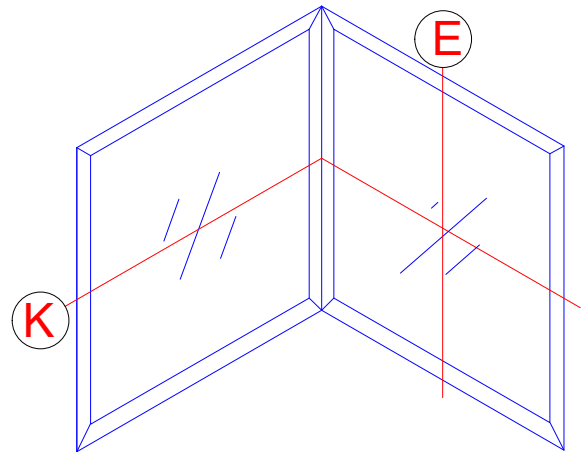
Außenecke 90°

90° outer corner



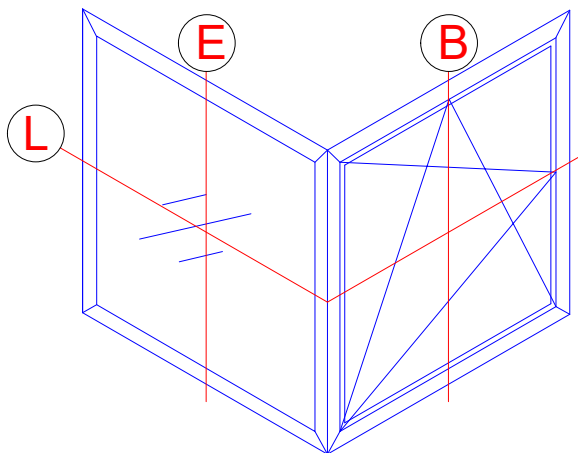
Innenecke 90°

90° inner corner



Außenecke mit Öffnungselement

Outer corner with opening unit

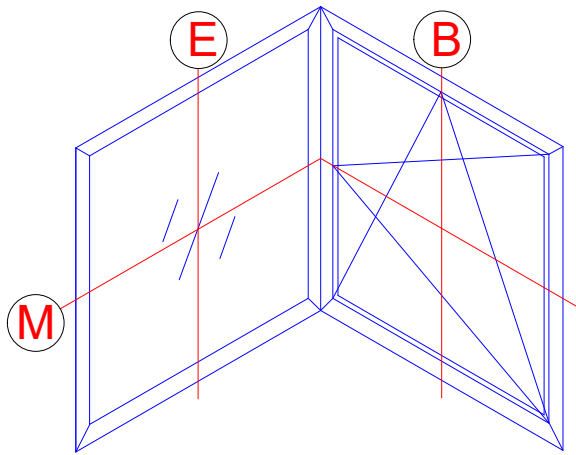


INDEX	DATUM	ÄNDERUNG	GEZEICHNET	GEPRÜFT
INDEX	DATE	CHANGE	DESIGNED BY	CHECKED BY
-	-	-	-	-
PLANINHALT PLAN CONTENT Riva Elementbeispiele Riva Unit examples				DATUM DATE
PROJEKT PROJECT Fenster RIVA AWS 75 PD.SI Innen öffnend Window RIVA AWS 75 PD.SI inward opening				PROJEKT NR. PROJECT NR.
BAUHERR CLIENT -				
PLANVERFASSER PLANNER BENEDICT + RIVA BENEDICT + RIVA GmbH Rödelstrasse 13 04229 Leipzig, Germany				
ANSPRECHPARTNER CONTACT PERSON		Matthias Anderle		
PLANART PLANNING TYPE	STATUS STATUS	PLANFORMAT FORMAT	MAßSTAB SCALE	GEZEICHNET DESIGNED BY
-	-	DIN A4	-	B.J.Ni
PLANNUMMER DOCUMENT NUMBER -				



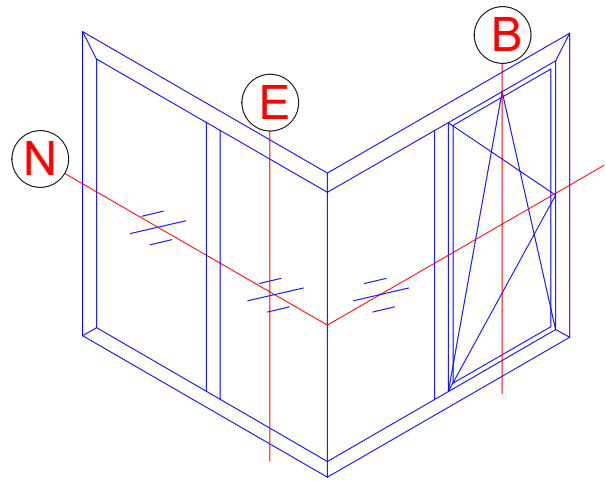
Innenecke mit Öffnungselement

Inner corner with opening unit



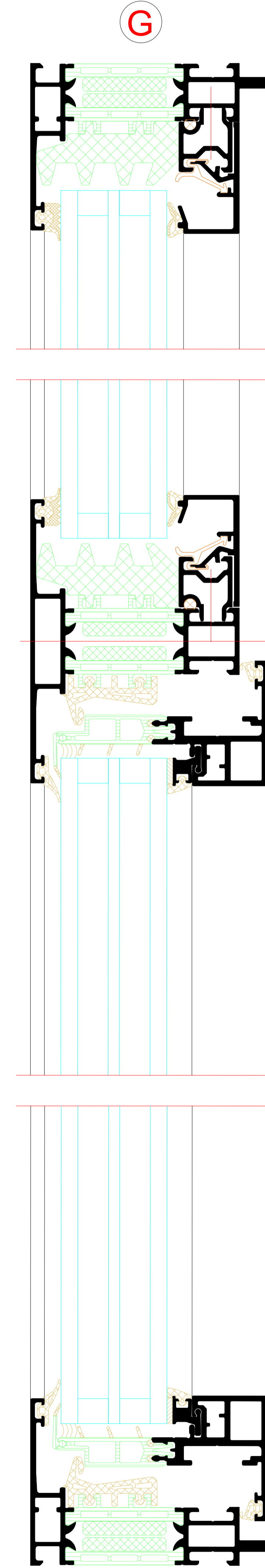
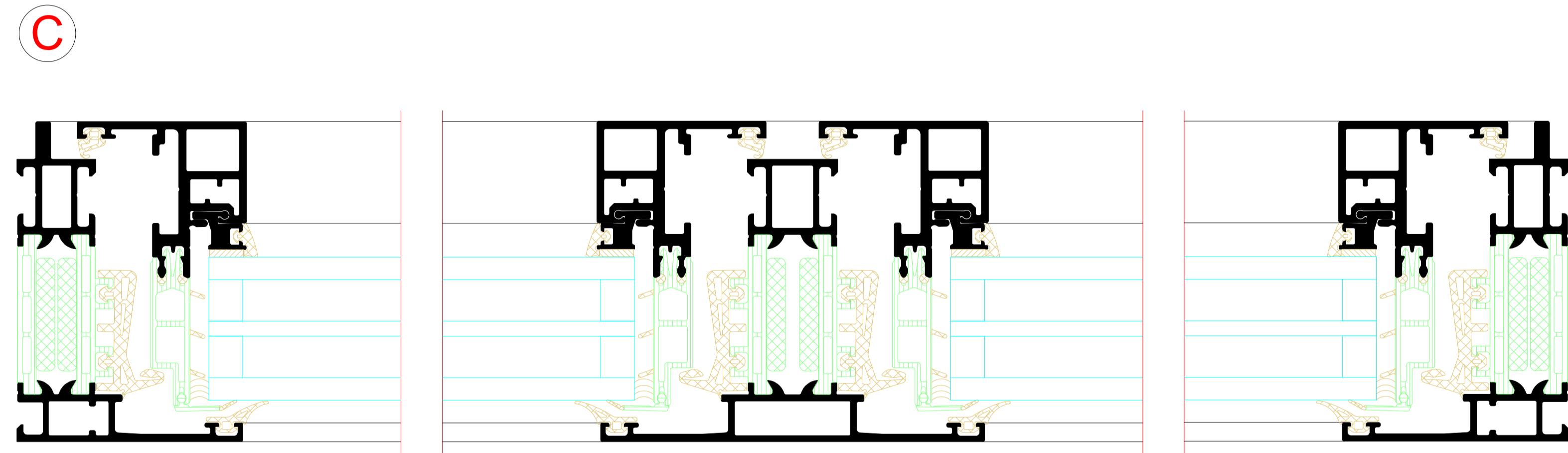
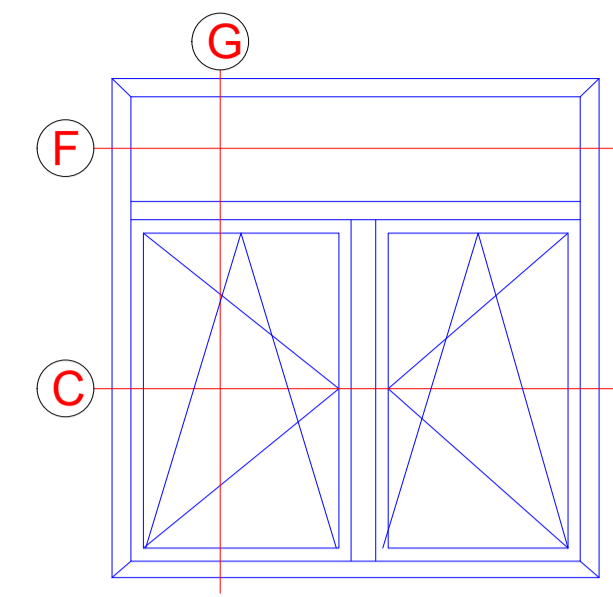
Ganzglasecke 90°

90° all-glass corner



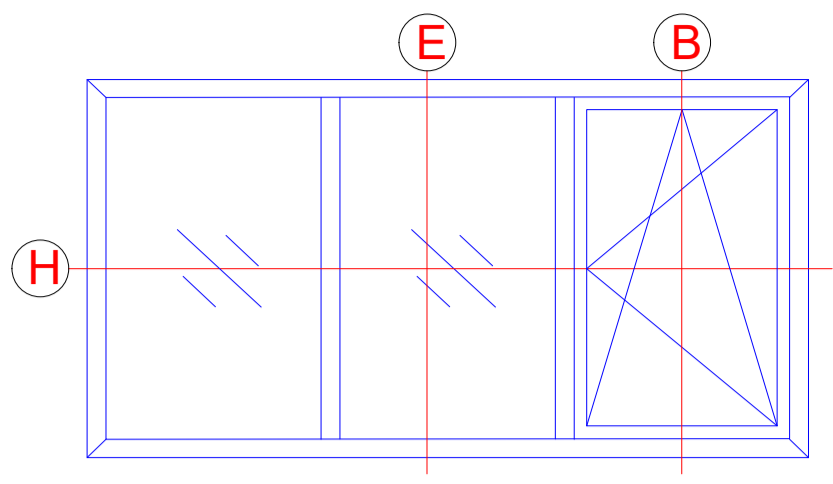
INDEX	DATUM	ÄNDERUNG	GEZEICHNET	GEPRÜFT
INDEX	DATE	CHANGE	DESIGNED BY	CHECKED BY
-	-	-	-	-
PLANINHALT PLAN CONTENT Riva Elementbeispiele Riva Unit examples				DATUM DATE
PROJEKT PROJECT Fenster RIVA AWS 75 PD.SI Innen öffnend Window RIVA AWS 75 PD.SI inward opening				PROJEKT NR. PROJECT NR.
BAUHERR CLIENT -				
PLANVERFASSER PLANNER BENEDICT + RIVA				
ANSPRECHPARTNER CONTACT PERSON Matthias Anderle				
PLANART PLANNING TYPE	STATUS STATUS	PLANFORMAT FORMAT DIN A4	MAßSTAB SCALE	GEZEICHNET DESIGNED BY B.J.Ni
-	-	-	-	GEPRÜFT CHECKED BY M.A.
PLANNUMMER DOCUMENT NUMBER -				

Zweiflügeliges Fenster mit festem Oberlicht
 Double-vent window with fixed toplight

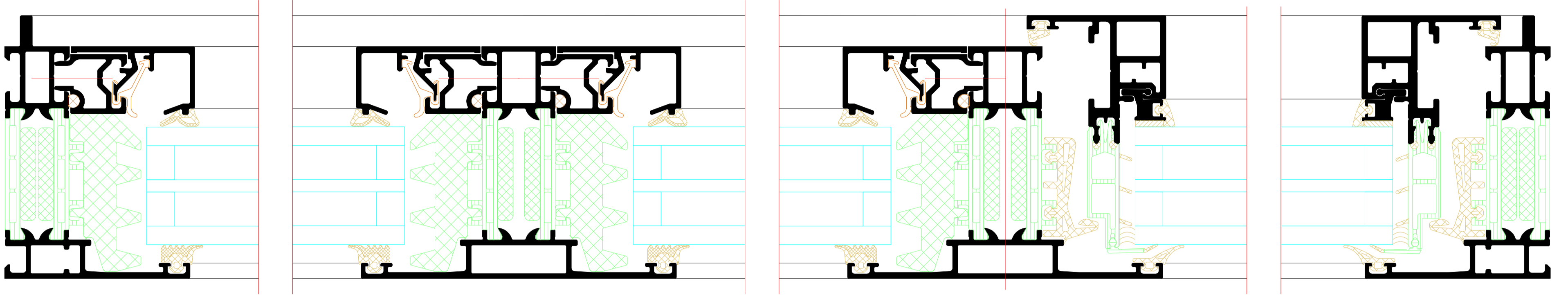


NO.	DATE	REVISION	REVISION BY	REVISION DATE
001	01.10.2018	01
PROJEKT Riva Elementschleife Riva List section details				
OBJEKT Fenster RIVA AWS T5 PD SI Innen offhand Window RIVA AWS T5 PD SI inward opening				
PROJEKTLEITER ...				
PROJEKTANT ...				
PROJEKTZEICHNER ...				
PROJEKTLEITER ...				
PROJEKTANT ...				
PROJEKTZEICHNER ...				
PROJEKTLEITER ...				
PROJEKTANT ...				
PROJEKTZEICHNER ...				

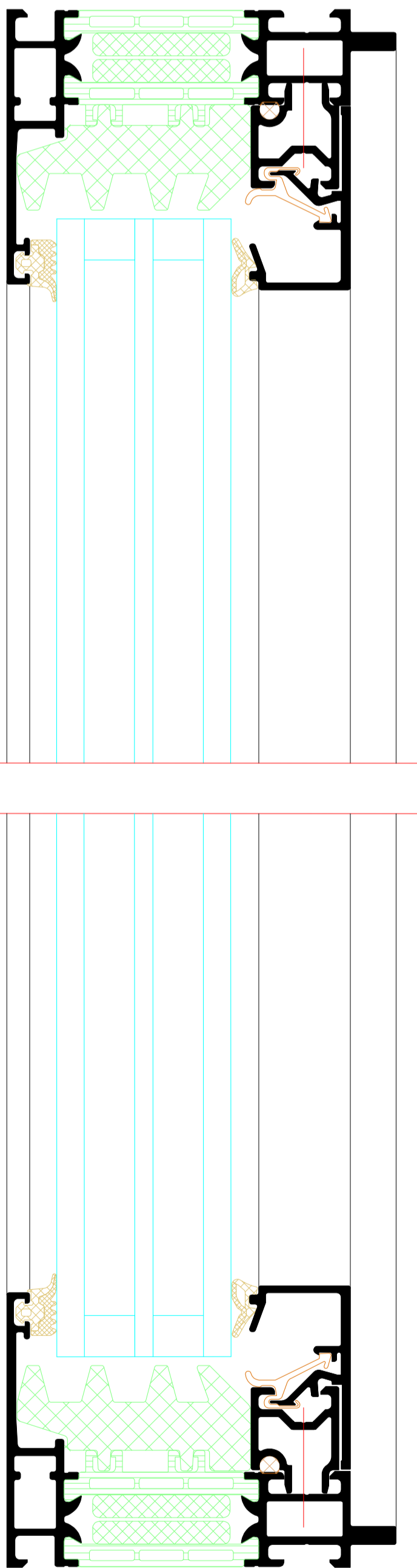
Einflügliges Fenster im Fensterband
Single-vent window in ribbon window



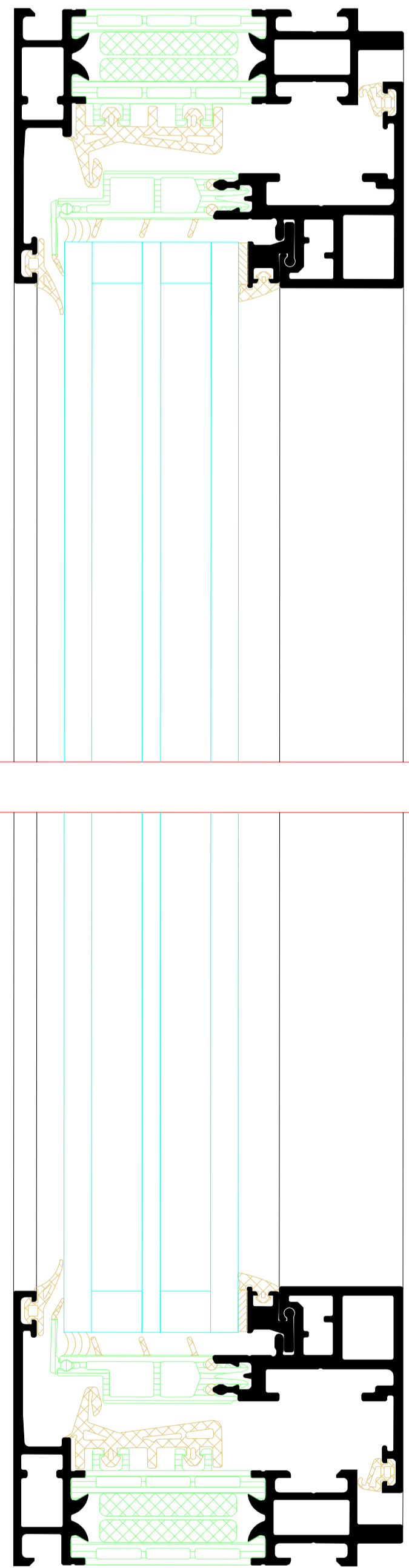
H



E

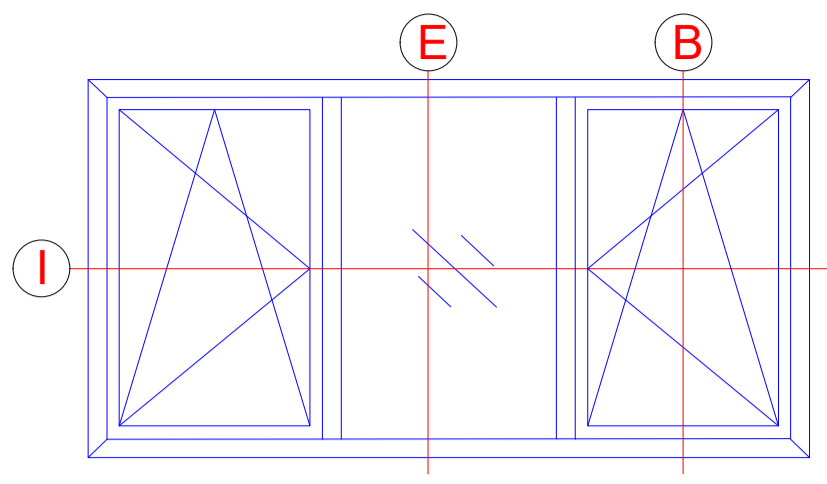


B

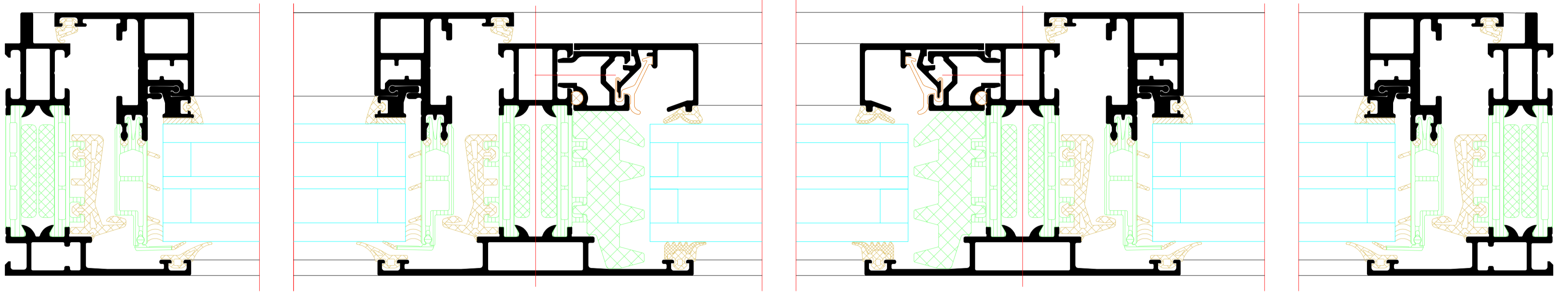


NO.	DATE	DESCRIPTION	DESIGNED BY	CHECKED BY
1				
2				
3				
4				
5				
6				
7				
8				
9				
10				
11				
12				
13				
14				
15				
16				
17				
18				
19				
20				
21				
22				
23				
24				
25				
26				
27				
28				
29				
30				
31				
32				
33				
34				
35				
36				
37				
38				
39				
40				
41				
42				
43				
44				
45				
46				
47				
48				
49				
50				
51				
52				
53				
54				
55				
56				
57				
58				
59				
60				
61				
62				
63				
64				
65				
66				
67				
68				
69				
70				
71				
72				
73				
74				
75				
76				
77				
78				
79				
80				
81				
82				
83				
84				
85				
86				
87				
88				
89				
90				
91				
92				
93				
94				
95				
96				
97				
98				
99				
100				

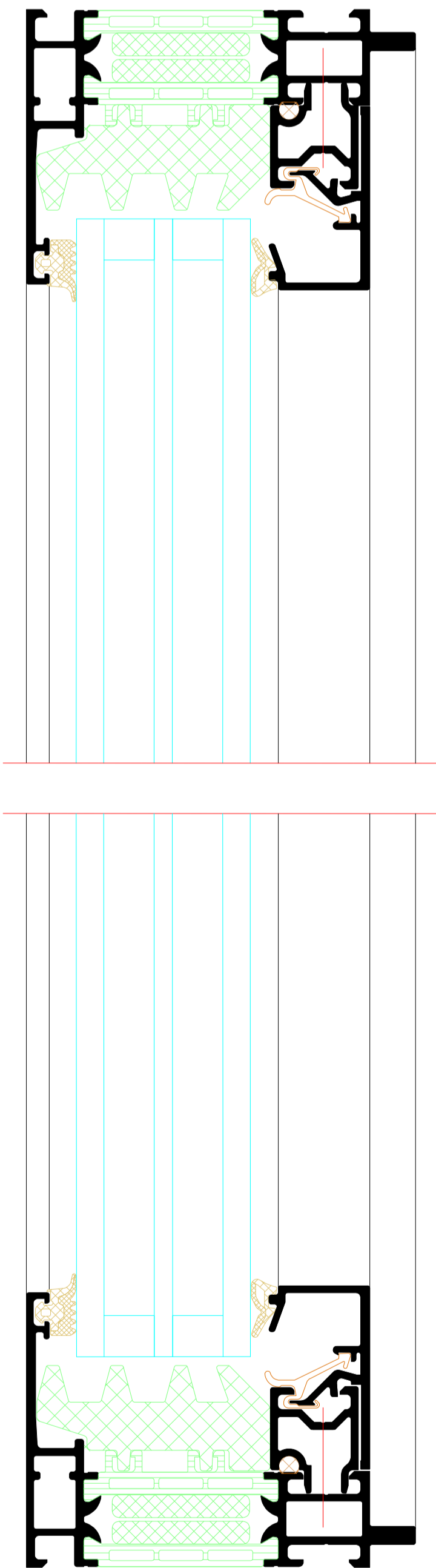
Zwei einflügelige Fenster im Fensterband
 Two single-vent windows in the ribbon window



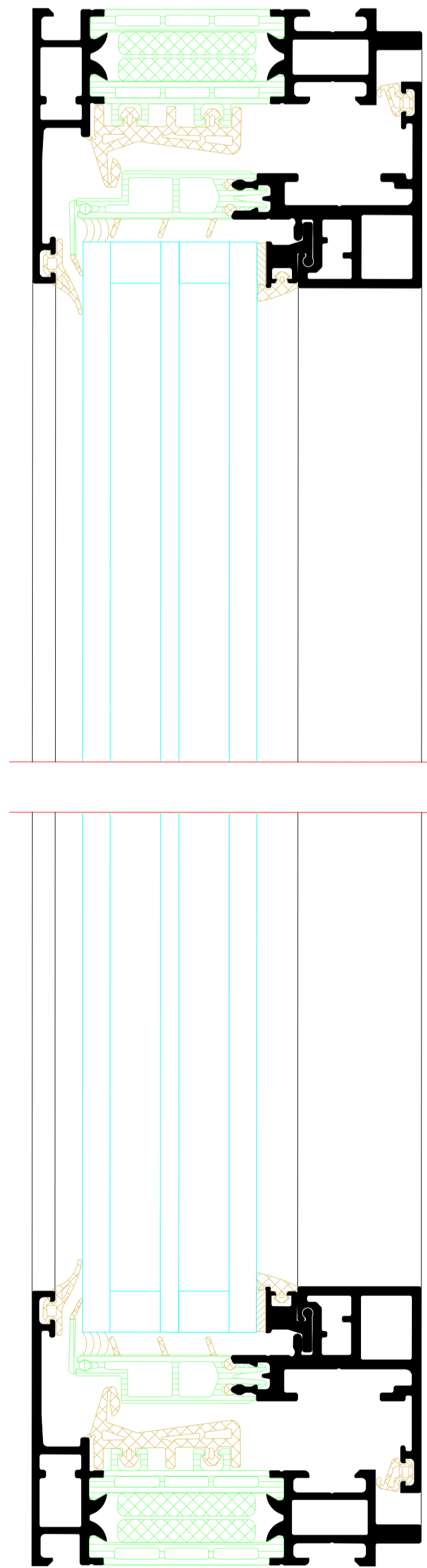
I



E

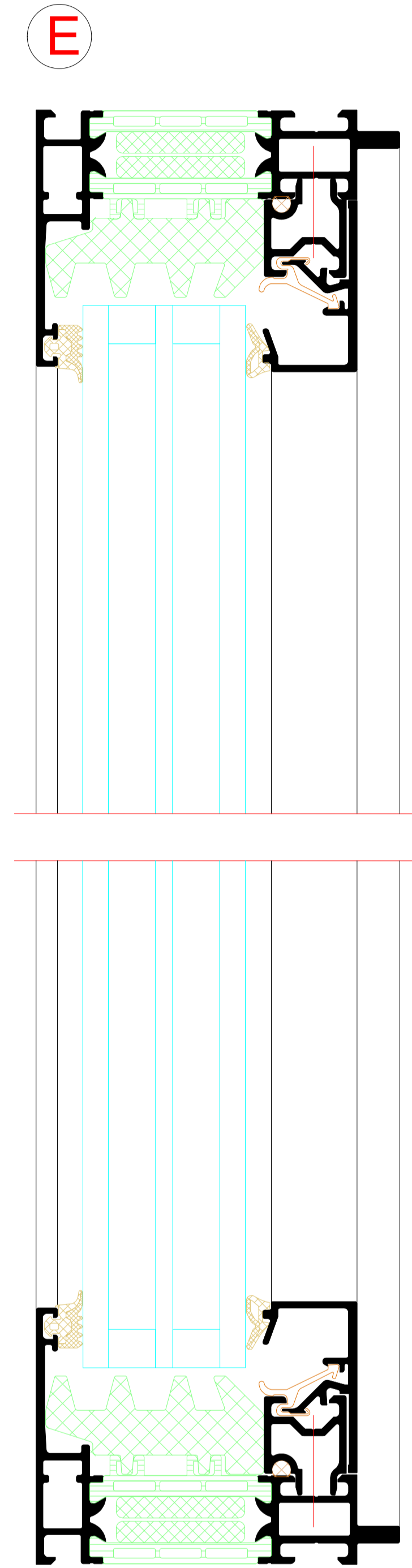
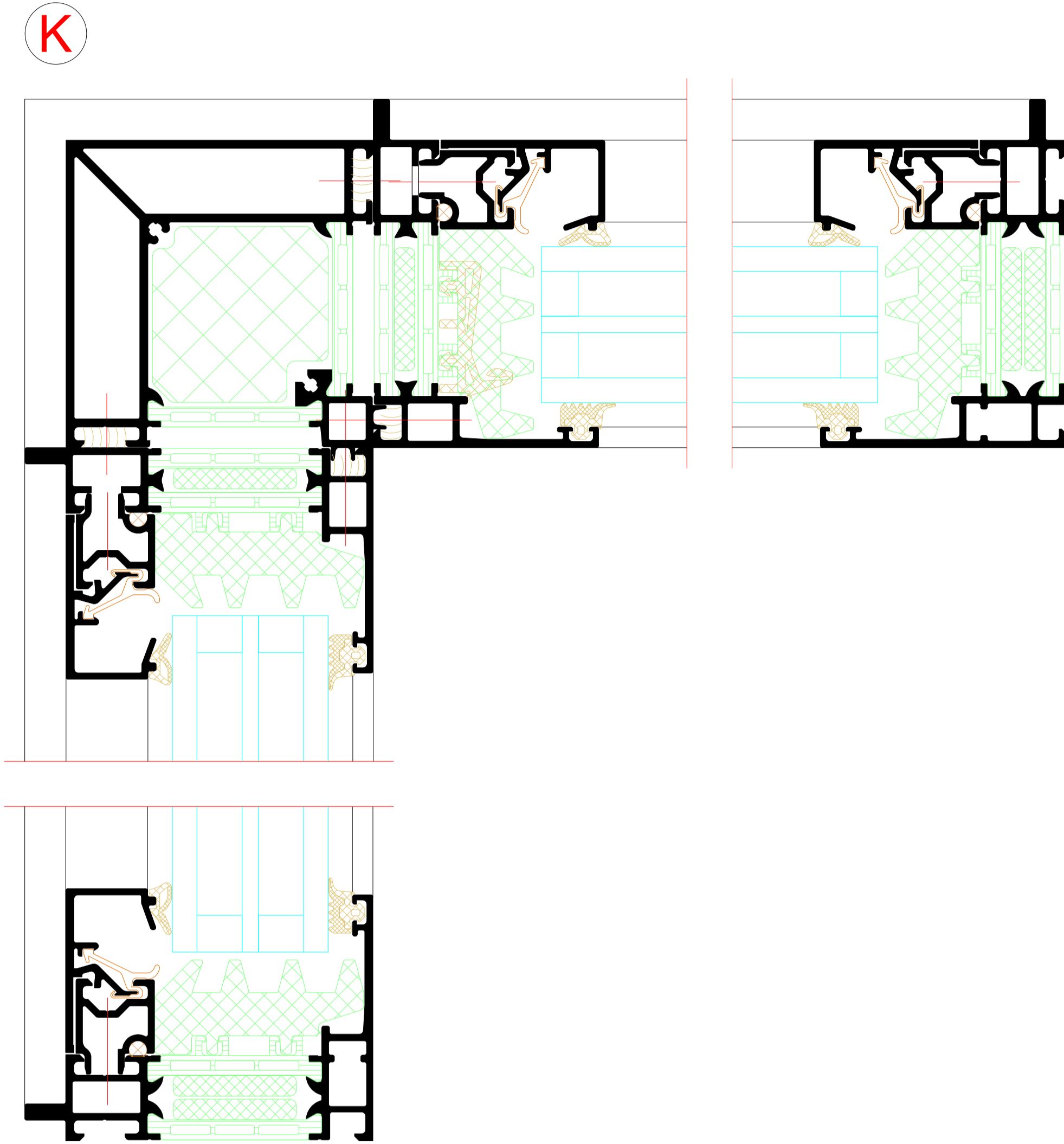
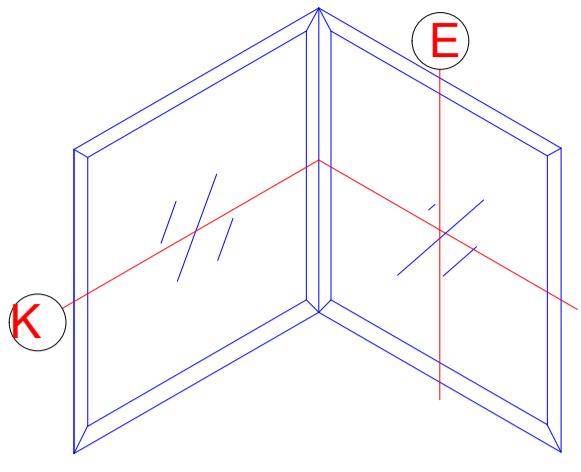


B



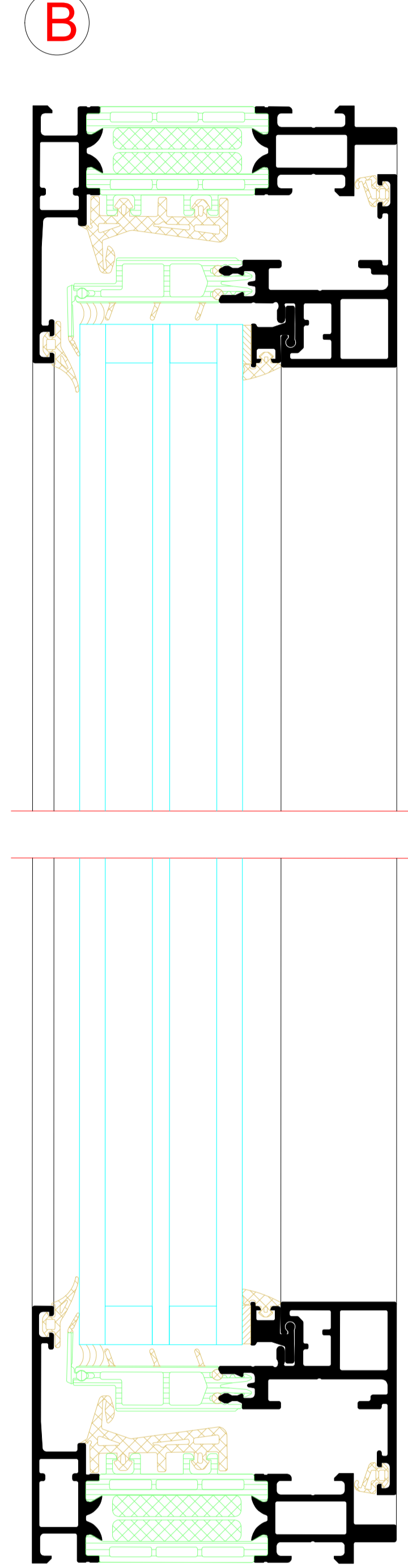
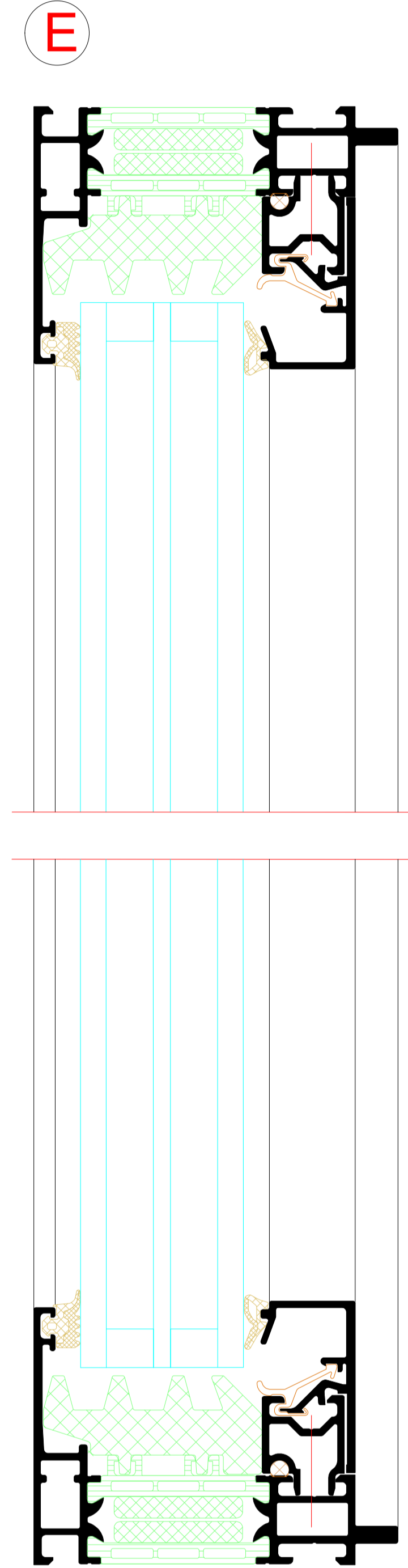
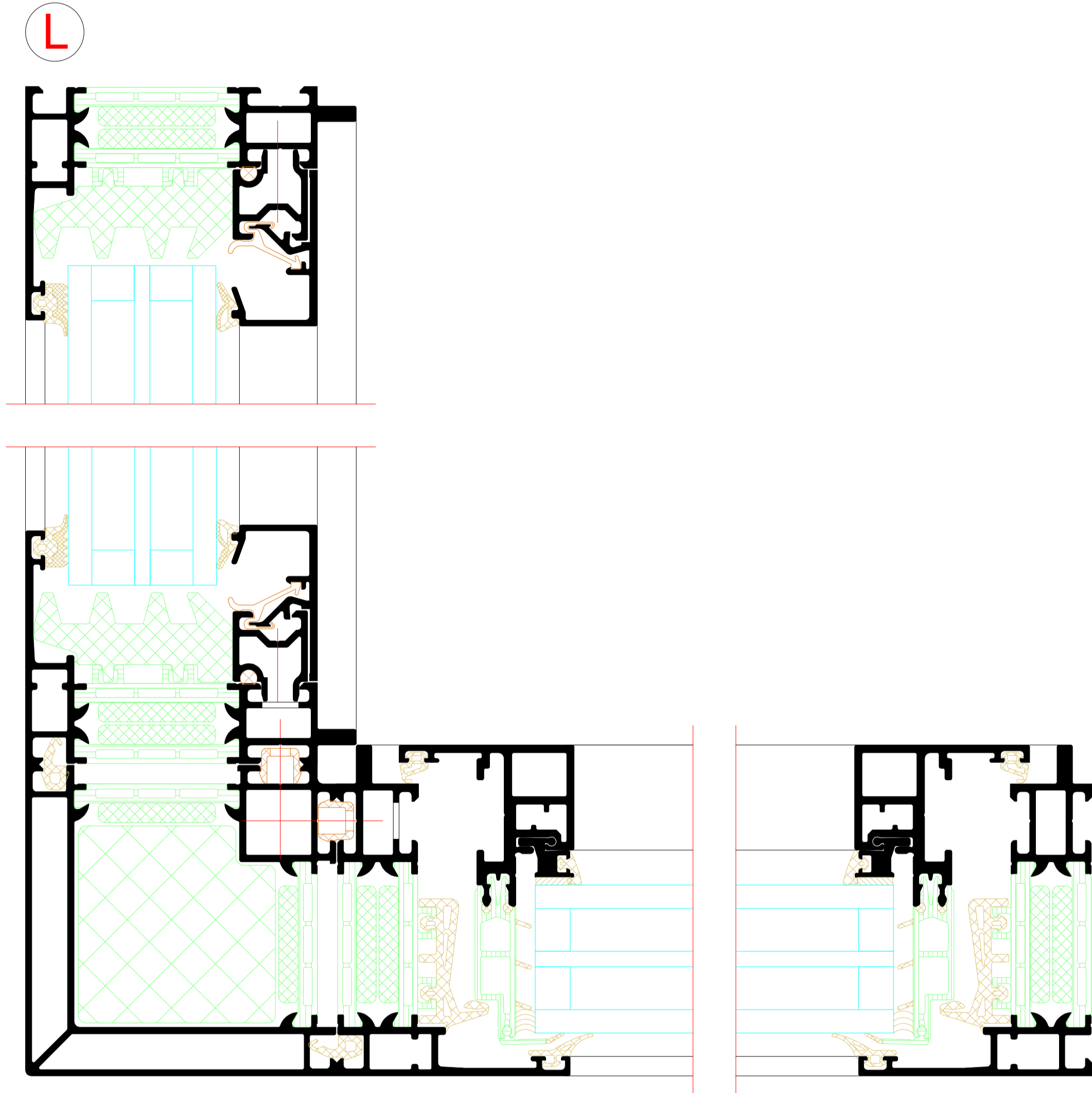
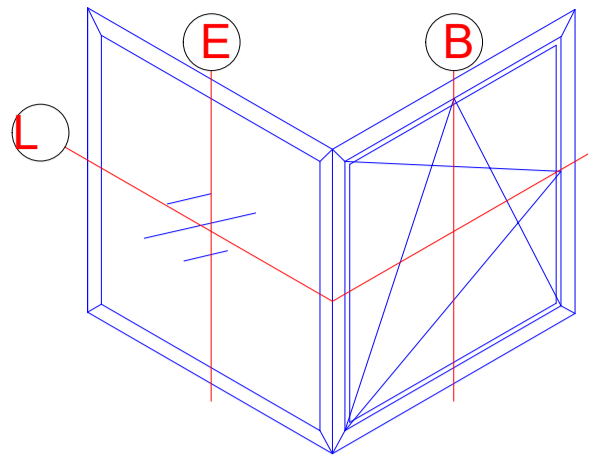
NO. / INDEX	DATE / DATE	REVISION / ANMERKUNG	DESIGNED BY / GEZEICHNET	CHECKED BY / GEPRÜFT
PLANNING / PLAN				
Riva Elementarschnitte Riva Unit section details				
PROJECT / PROJEKT Fenster RIVA AWS 75 PD.SI Innen öffnend Window RIVA AWS 75 PD.SI inward opening				PROJECT NO. / PROJEKT-NR. -
MANAGER / CLIENT -				
PLANNING / PLANNER BENEDICT + RIVA				
ANSPEICHERPARTNER / CONTACT PERSON Mathias Andrich				
PLANNING / PLAN	STATUS / STATUS	PLANNING TYPE / PLANART	SCALE / MAßSTAB	DESIGNED / CHECKED BY / GEZEICHNET / GEPRÜFT
DOCUMENT NUMBER / DOKUMENT-NUMMER -				

Innenecke 90°
90° inner corner



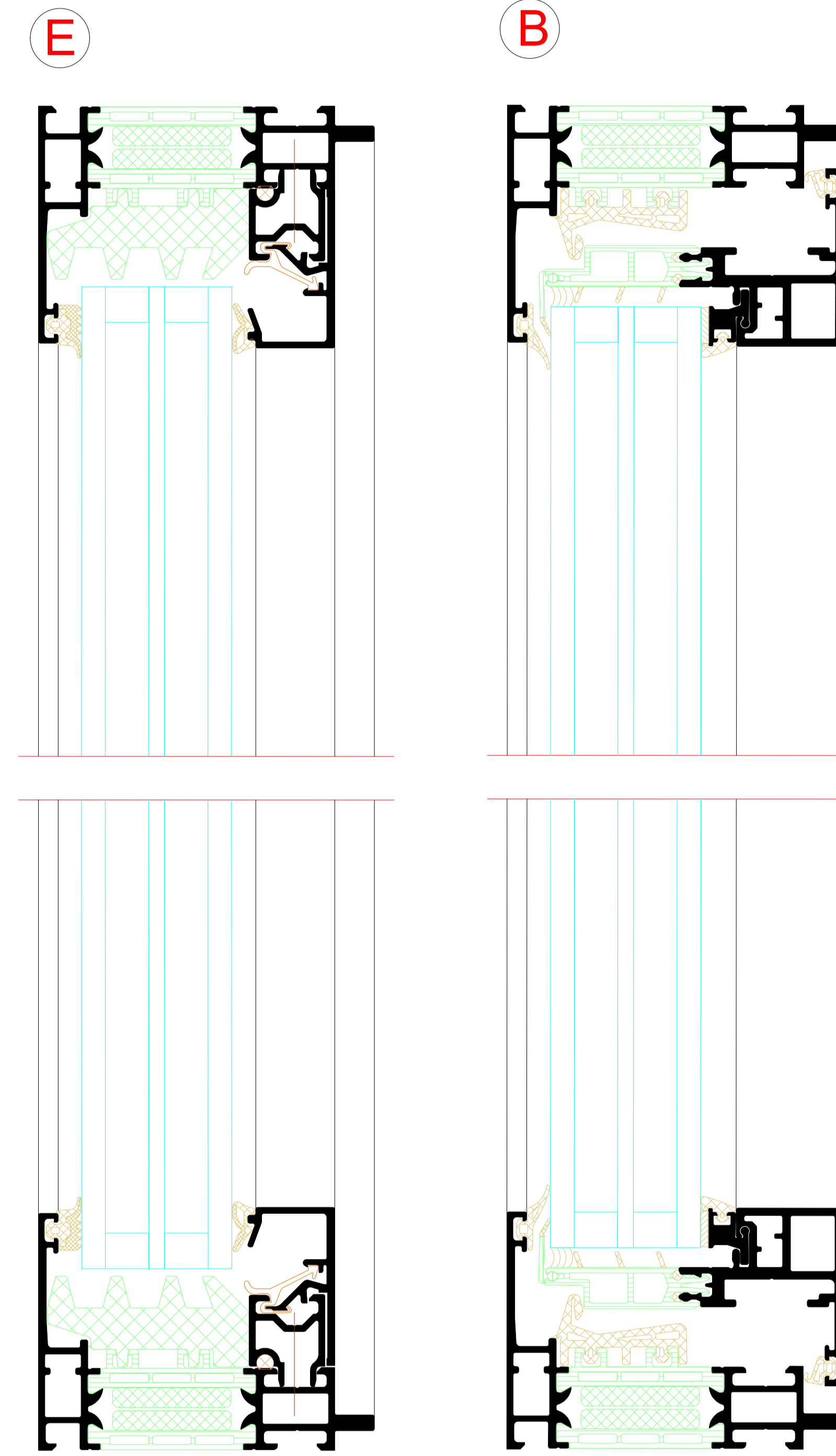
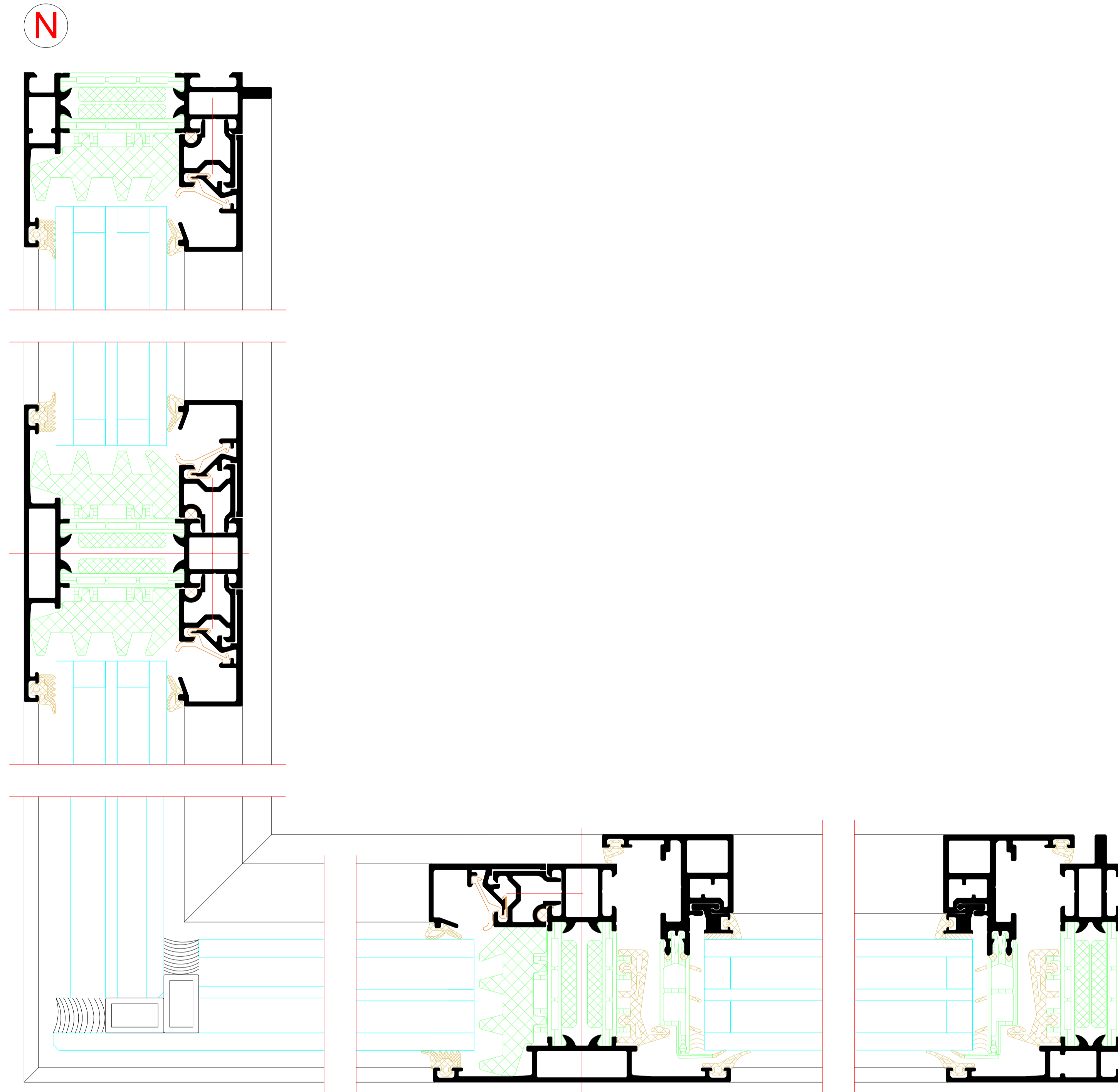
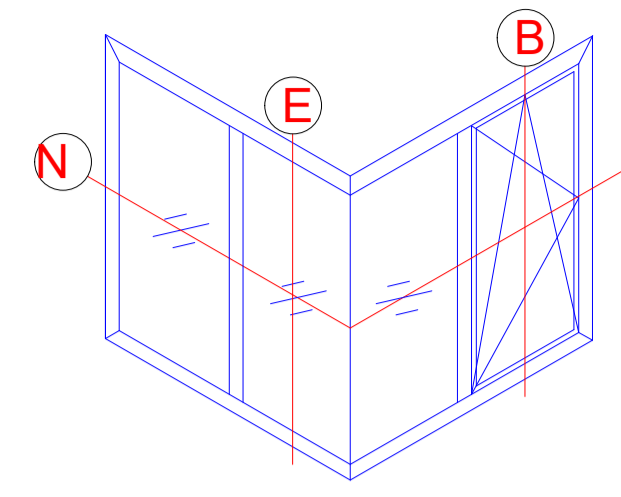
INDEX	DATE	ÄNDERUNG	GEZEICHNET	GEPRÜFT
INDEX	DATE	CHANGE	DESIGNED BY	CHECKED BY
PLANNING				
PLAN CONTENT				DATE
Riva Elementschritte				
Riva Unit section details				
PROJECT	PROJECT			PROJECT NR.
Fenster RIVA AWS 75 PD.SI Innen öffnend				
Window RIVA AWS 75 PD.SI inward opening				
MANAGER	CLIENT			
PLANNING				
PLANNING				
BENEDICT + RIVA				
BENEDICT + RIVA GmbH				
Rödelstrasse 13				
04320 Leipzig, Germany				
ANSPRECHPARTNER	NATHAN ANDRZEJCZAK			
CONTACT PERSON				
PLANNING	STATUS	PLANNING	MAXIMAS	GEZEICHNET
PLANNING TYPE	STATUS	FORMAT	SCALE	DESIGNED BY
	DATE			CHECKED BY
PLANNING				
DOCUMENT NUMBER				

Außenecke 90° mit Öffnungselement
 90° outer corner with opening unit

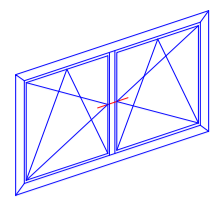


INDEX	DATE	REVISION	DESIGNED BY	CHECKED BY	
PLANNING					
PLANNING					
PROJECT					
Fenster RIVA AWS 75 PD.SI Innen öffnend					
Window RIVA AWS 75 PD.SI inward opening					
CLIENT					
PLANNING					
BENEDICT + RIVA					
BENEDICT + RIVA GmbH Riedelstraße 13 04229 Leipzig, Germany					
PLANNING	STATUS	PLANNING	SCALE	DESIGNED	CHECKED
PLANNING	STATUS	PLANNING	SCALE	DESIGNED	CHECKED
PLANNING	STATUS	PLANNING	SCALE	DESIGNED	CHECKED
PLANNING	STATUS	PLANNING	SCALE	DESIGNED	CHECKED

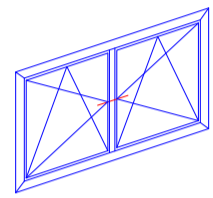
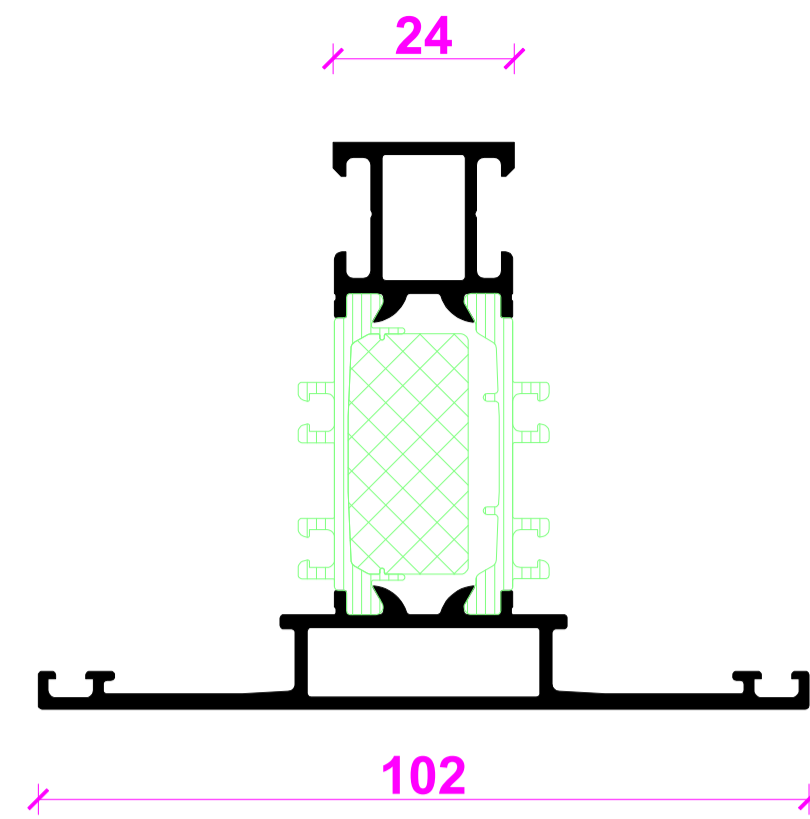
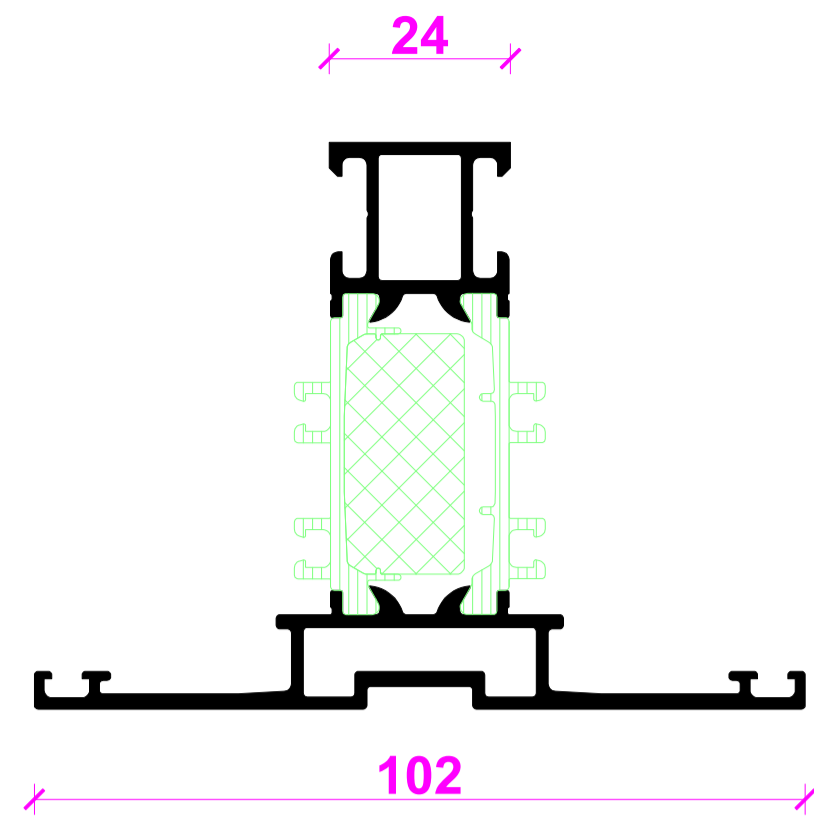
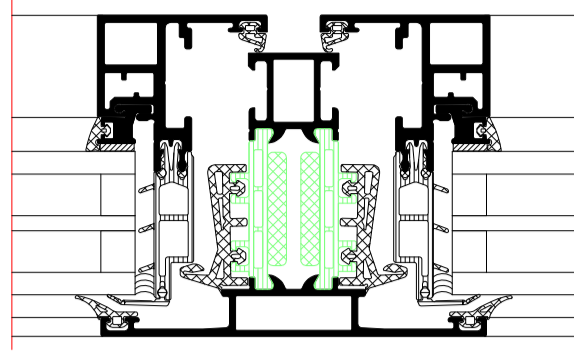
Ganzglasecke 90°
90° all-glass corner



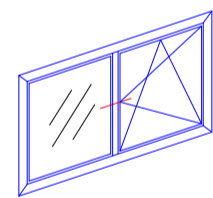
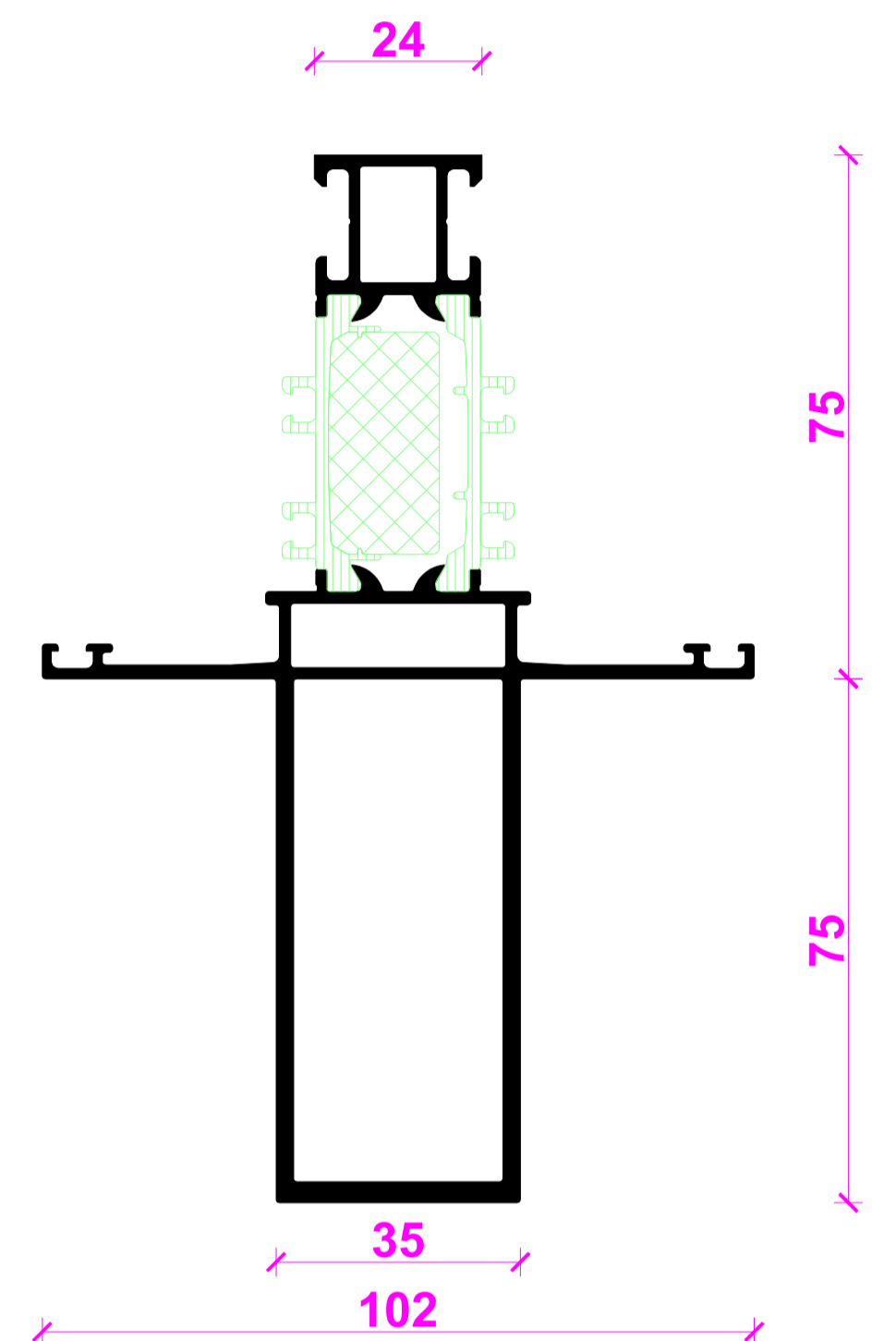
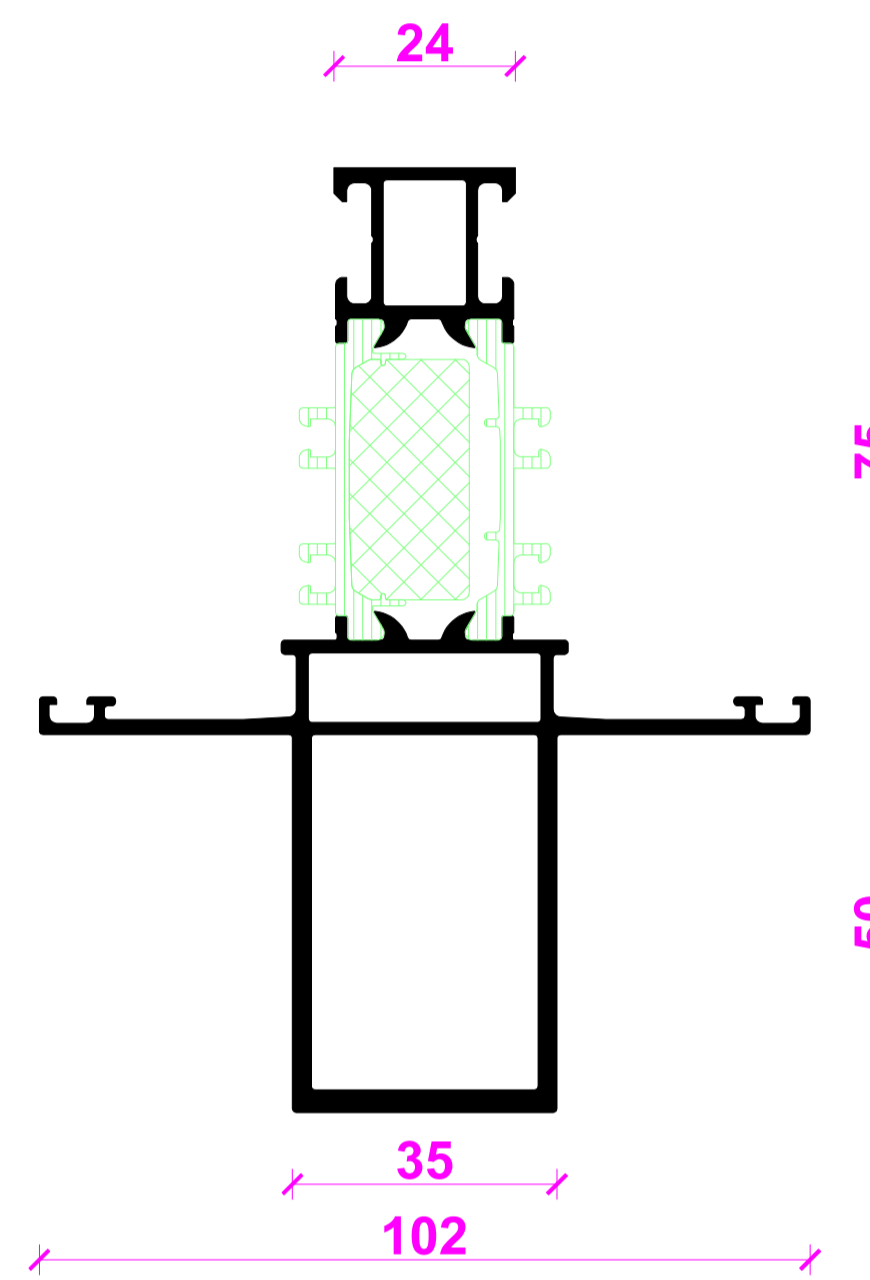
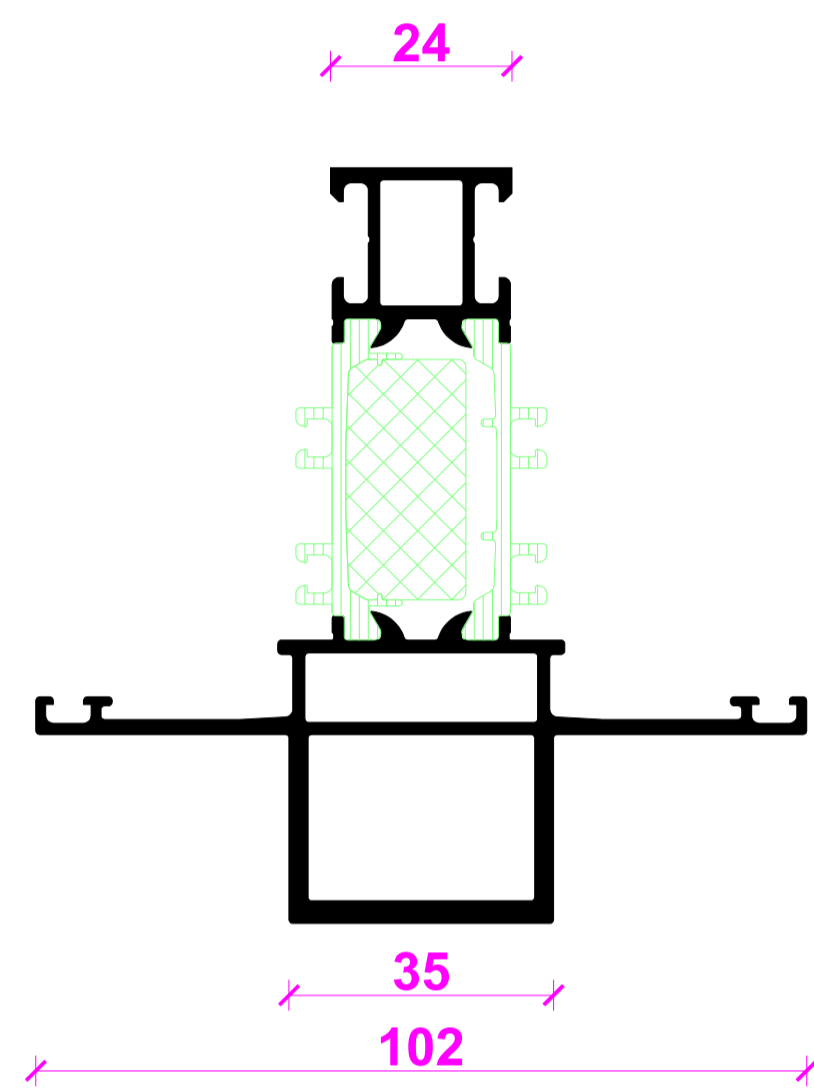
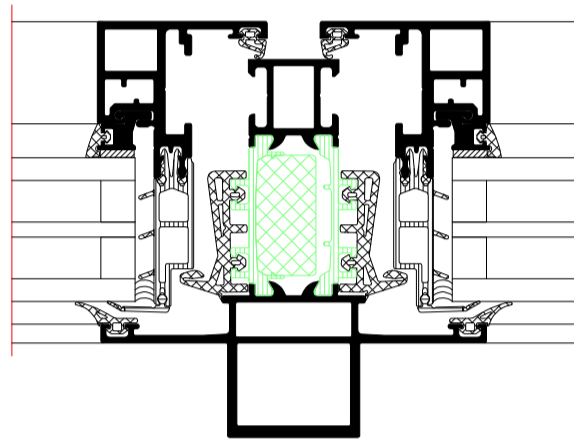
NO.	DATE	VERSION	REVISION	STATUS
001	01.10.2018	01		Released
002	01.10.2018	02		Released
003	01.10.2018	03		Released
004	01.10.2018	04		Released
005	01.10.2018	05		Released
006	01.10.2018	06		Released
007	01.10.2018	07		Released
008	01.10.2018	08		Released
009	01.10.2018	09		Released
010	01.10.2018	10		Released
011	01.10.2018	11		Released
012	01.10.2018	12		Released
013	01.10.2018	13		Released
014	01.10.2018	14		Released
015	01.10.2018	15		Released
016	01.10.2018	16		Released
017	01.10.2018	17		Released
018	01.10.2018	18		Released
019	01.10.2018	19		Released
020	01.10.2018	20		Released
021	01.10.2018	21		Released
022	01.10.2018	22		Released
023	01.10.2018	23		Released
024	01.10.2018	24		Released
025	01.10.2018	25		Released
026	01.10.2018	26		Released
027	01.10.2018	27		Released
028	01.10.2018	28		Released
029	01.10.2018	29		Released
030	01.10.2018	30		Released
031	01.10.2018	31		Released
032	01.10.2018	32		Released
033	01.10.2018	33		Released
034	01.10.2018	34		Released
035	01.10.2018	35		Released
036	01.10.2018	36		Released
037	01.10.2018	37		Released
038	01.10.2018	38		Released
039	01.10.2018	39		Released
040	01.10.2018	40		Released
041	01.10.2018	41		Released
042	01.10.2018	42		Released
043	01.10.2018	43		Released
044	01.10.2018	44		Released
045	01.10.2018	45		Released
046	01.10.2018	46		Released
047	01.10.2018	47		Released
048	01.10.2018	48		Released
049	01.10.2018	49		Released
050	01.10.2018	50		Released
051	01.10.2018	51		Released
052	01.10.2018	52		Released
053	01.10.2018	53		Released
054	01.10.2018	54		Released
055	01.10.2018	55		Released
056	01.10.2018	56		Released
057	01.10.2018	57		Released
058	01.10.2018	58		Released
059	01.10.2018	59		Released
060	01.10.2018	60		Released
061	01.10.2018	61		Released
062	01.10.2018	62		Released
063	01.10.2018	63		Released
064	01.10.2018	64		Released
065	01.10.2018	65		Released
066	01.10.2018	66		Released
067	01.10.2018	67		Released
068	01.10.2018	68		Released
069	01.10.2018	69		Released
070	01.10.2018	70		Released
071	01.10.2018	71		Released
072	01.10.2018	72		Released
073	01.10.2018	73		Released
074	01.10.2018	74		Released
075	01.10.2018	75		Released
076	01.10.2018	76		Released
077	01.10.2018	77		Released
078	01.10.2018	78		Released
079	01.10.2018	79		Released
080	01.10.2018	80		Released
081	01.10.2018	81		Released
082	01.10.2018	82		Released
083	01.10.2018	83		Released
084	01.10.2018	84		Released
085	01.10.2018	85		Released
086	01.10.2018	86		Released
087	01.10.2018	87		Released
088	01.10.2018	88		Released
089	01.10.2018	89		Released
090	01.10.2018	90		Released
091	01.10.2018	91		Released
092	01.10.2018	92		Released
093	01.10.2018	93		Released
094	01.10.2018	94		Released
095	01.10.2018	95		Released
096	01.10.2018	96		Released
097	01.10.2018	97		Released
098	01.10.2018	98		Released
099	01.10.2018	99		Released
100	01.10.2018	100		Released



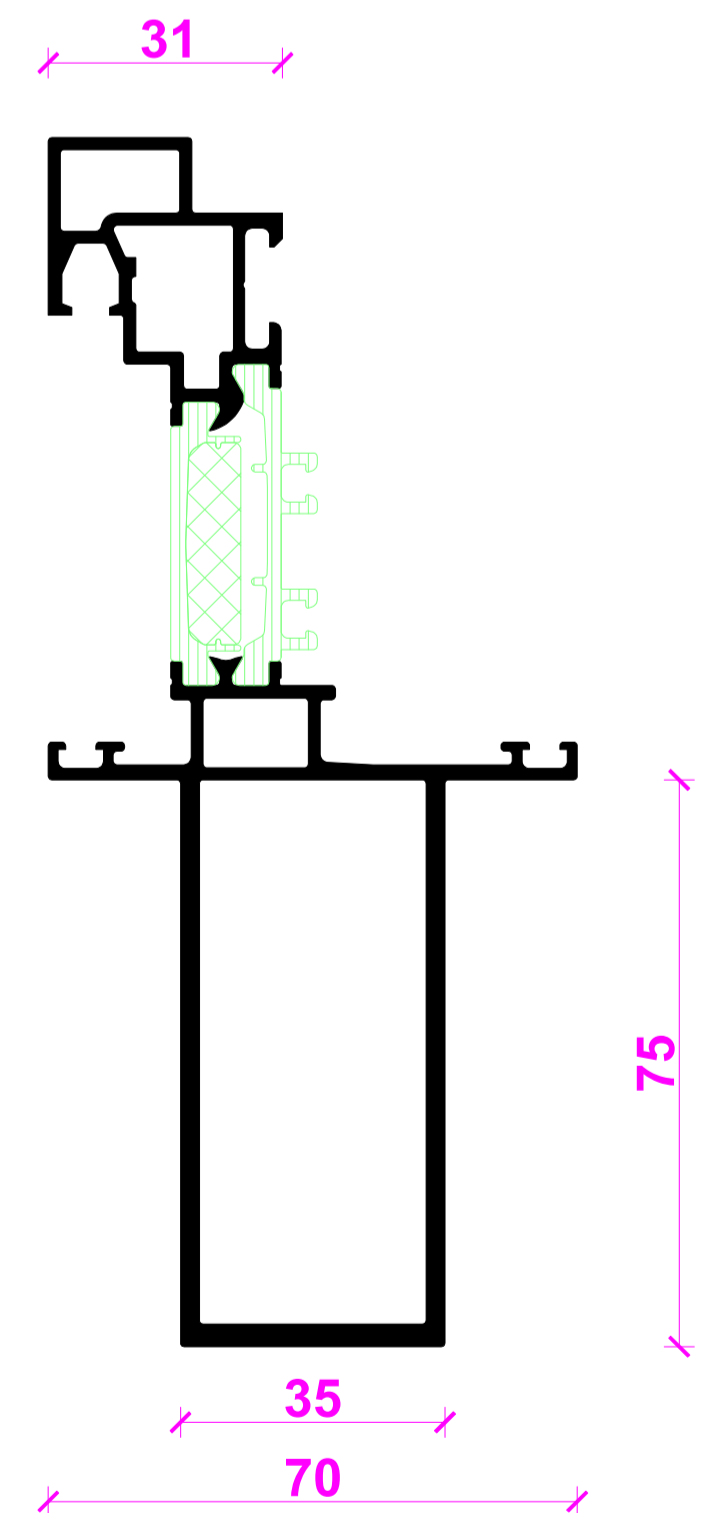
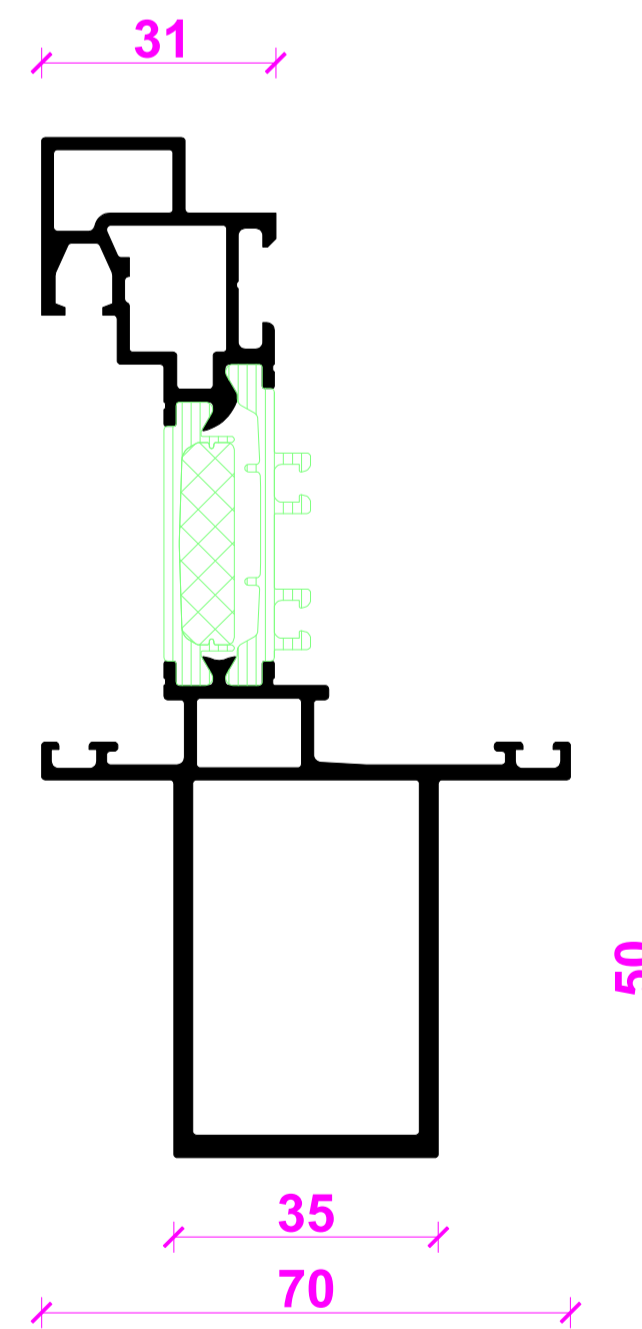
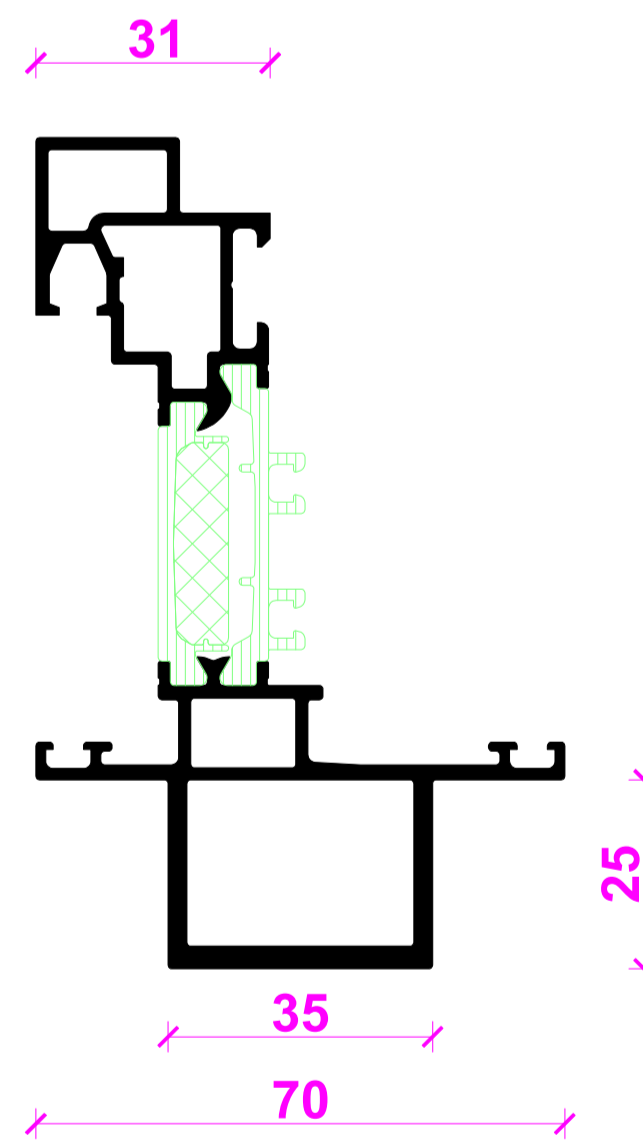
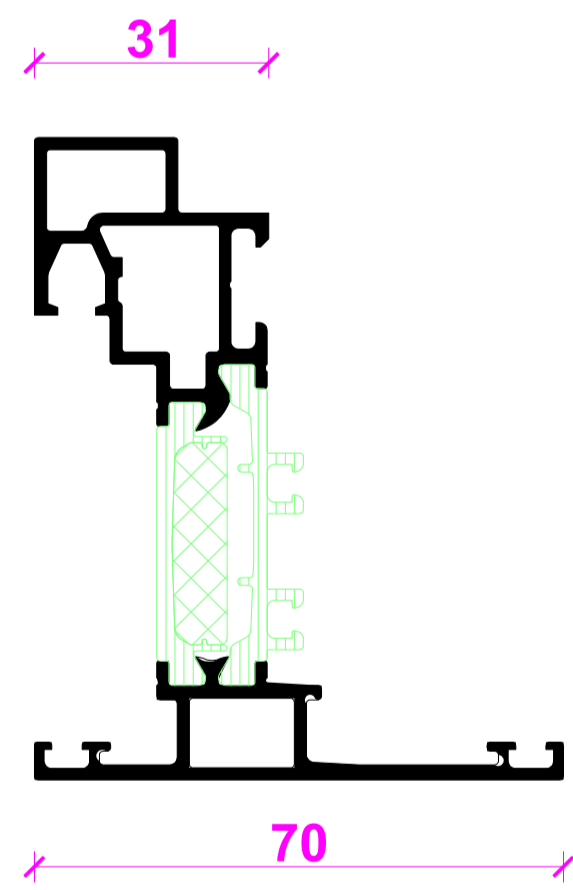
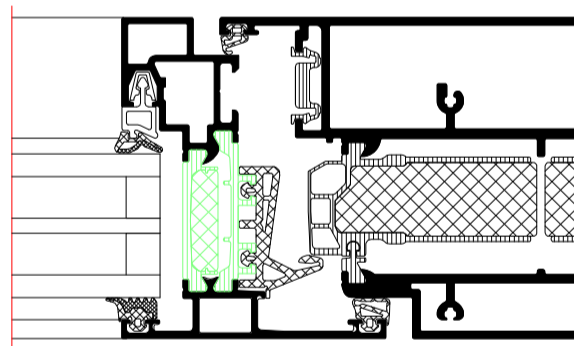
Pfosten Mullion



Statikpfosten Structural mullion

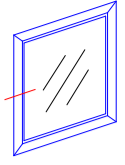


Asymmetrischer Statikpfosten Festverglasung Asymmetrical structural mullion – fixed glazing

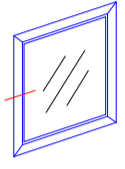
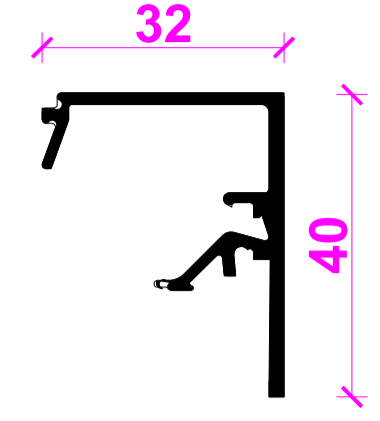
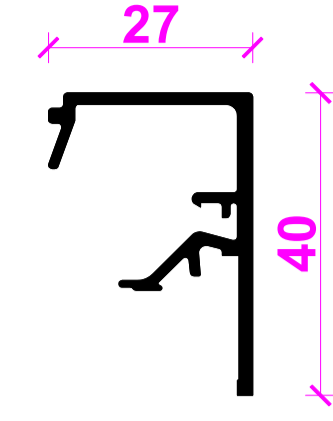
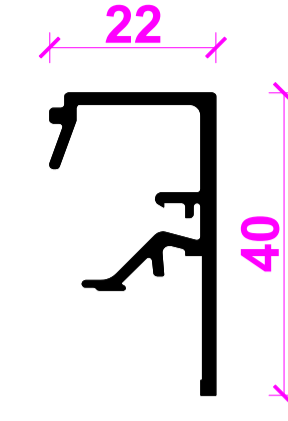
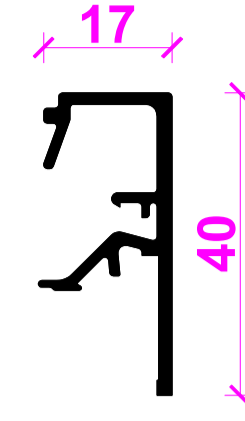
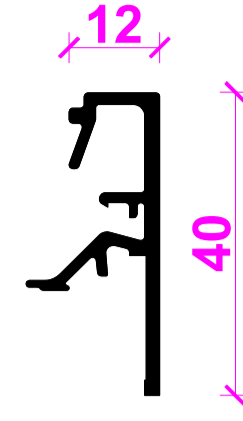
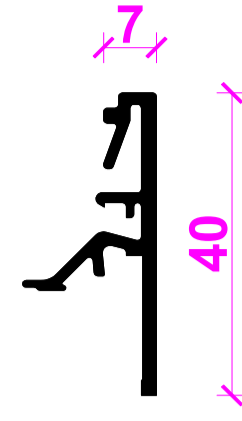
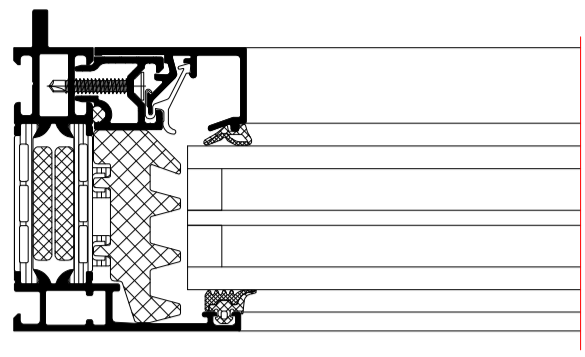


Nur einseitig ausführbar bis 40mm Glasstärke!
Only possible on one side up to 40 mm glass thickness.

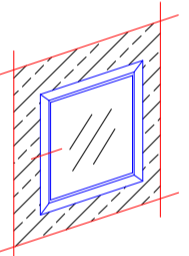
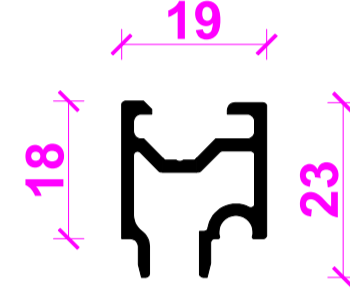
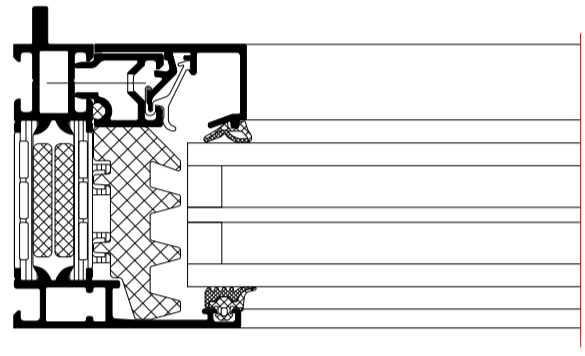
INDEX	DATE	REVISION	DESIGNED BY	CHECKED BY
PLANNING				
PROJECT				
CLIENT				
PLANNING				
PLANNING TYPE	STATUS	FORMAT	SCALE	DESIGNED BY
PLANNING NUMBER				



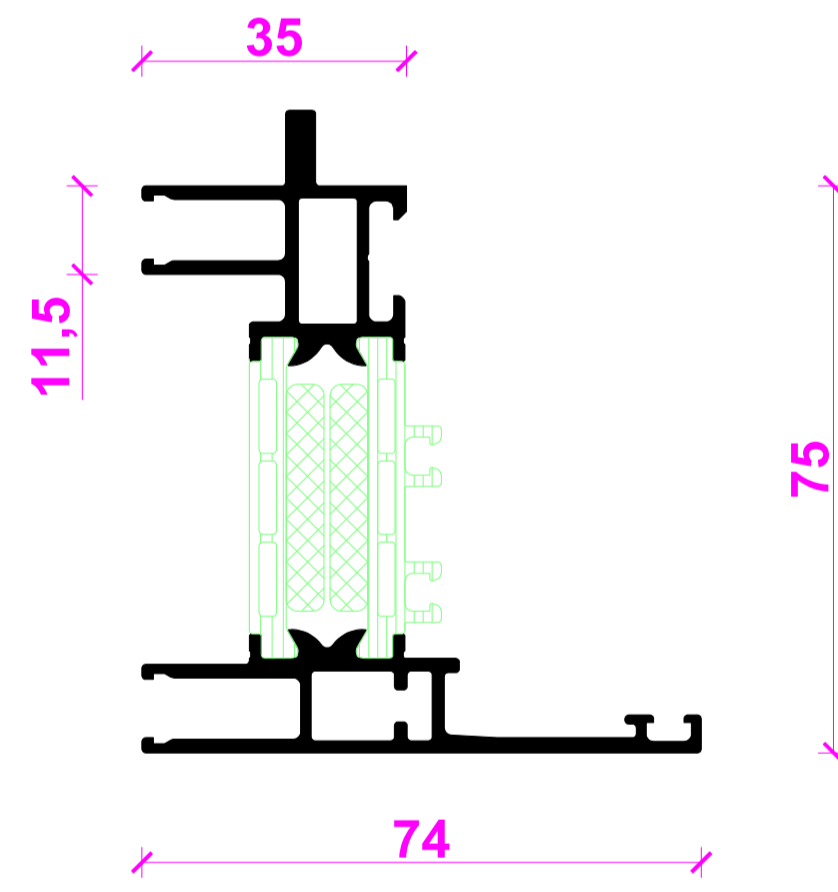
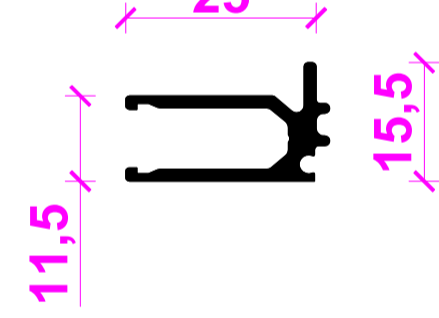
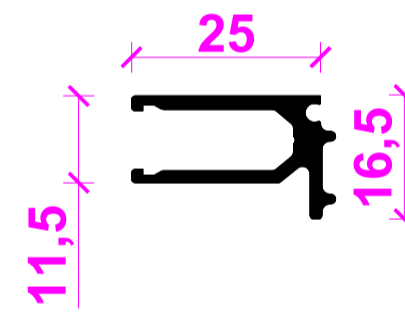
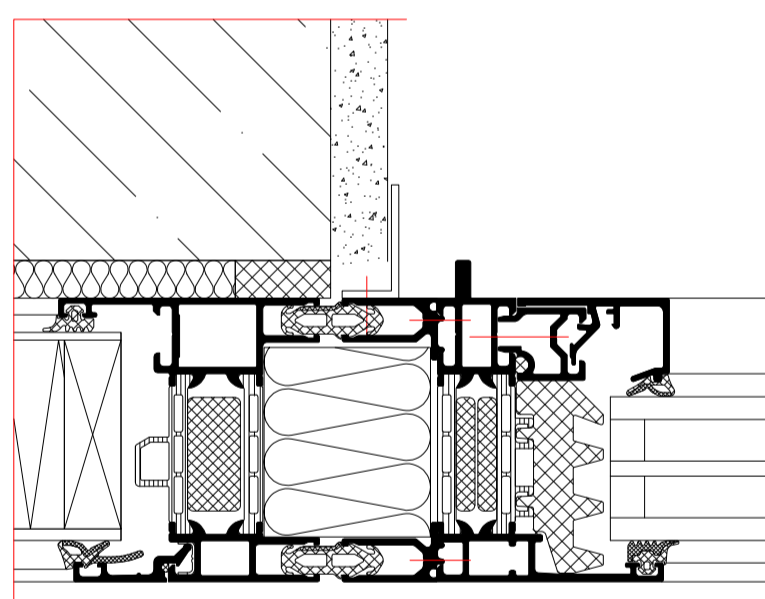
Glasleisten für Festverglasung
Glazing beads for fixed glazing



Einsatzprofil für Festverglasung
Insert profile for fixed glazing



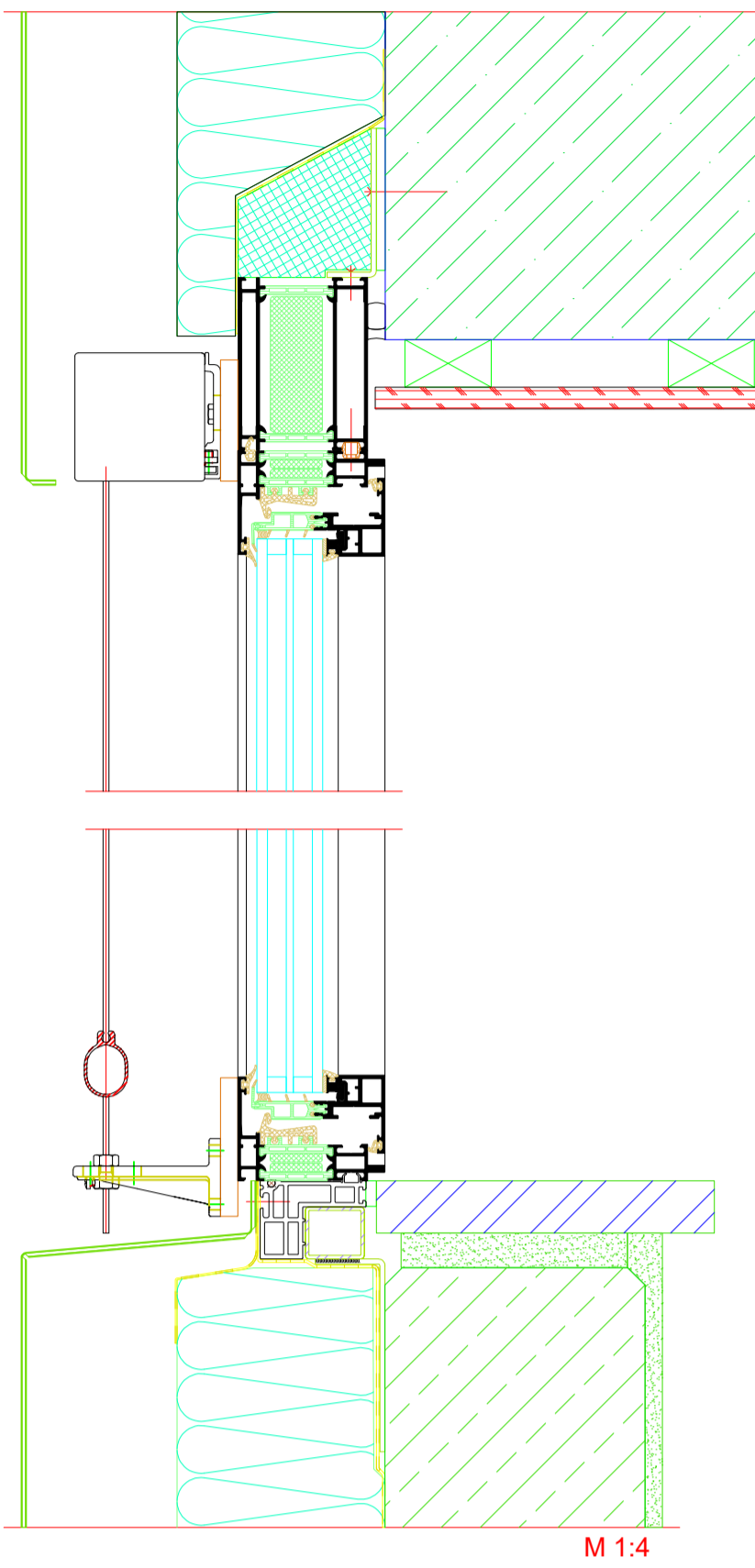
Anschlussprofil für Kopplung / Kopplungsblendrahmen
Attachment profile for coupling / coupling outer frame



INDEX	DATE	REVISION	DESIGNED BY	CHECKED BY	
PLANNING					
PLANNING					
PROJECT					
Riva Profilsysteme					
Riva Profile systems					
PROJECT					
Fenster RIVA AWS 75 PD SI Innen öffnend					
Window RIVA AWS 75 PD.SI Inward opening					
DRAWER					
CLEAN					
PLANNING					
PLANNING					
BENEDICT + RIVA					
BENEDICT + RIVA GmbH					
Rödelstraße 13					
04229 Leipzig, Germany					
PLANNING	STATUS	PLANNING	SCALE	DESIGNED	CHECKED
PLANNING		STATUS	SCALE	DESIGNED	CHECKED
PLANNING		STATUS	SCALE	DESIGNED	CHECKED
PLANNING		STATUS	SCALE	DESIGNED	CHECKED

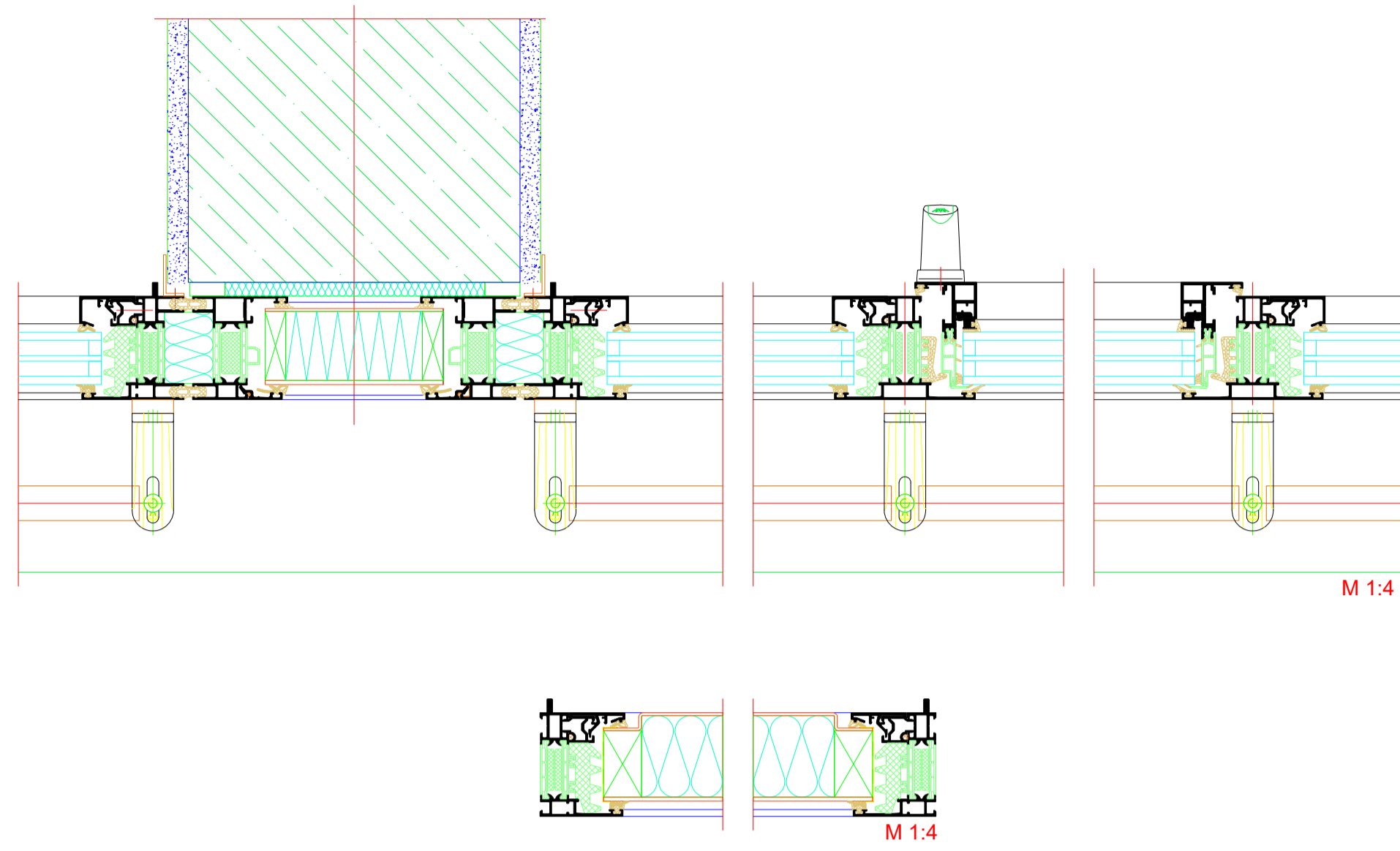
Fensterband
Ribbon window

Oberer Anschluss
Top attachment

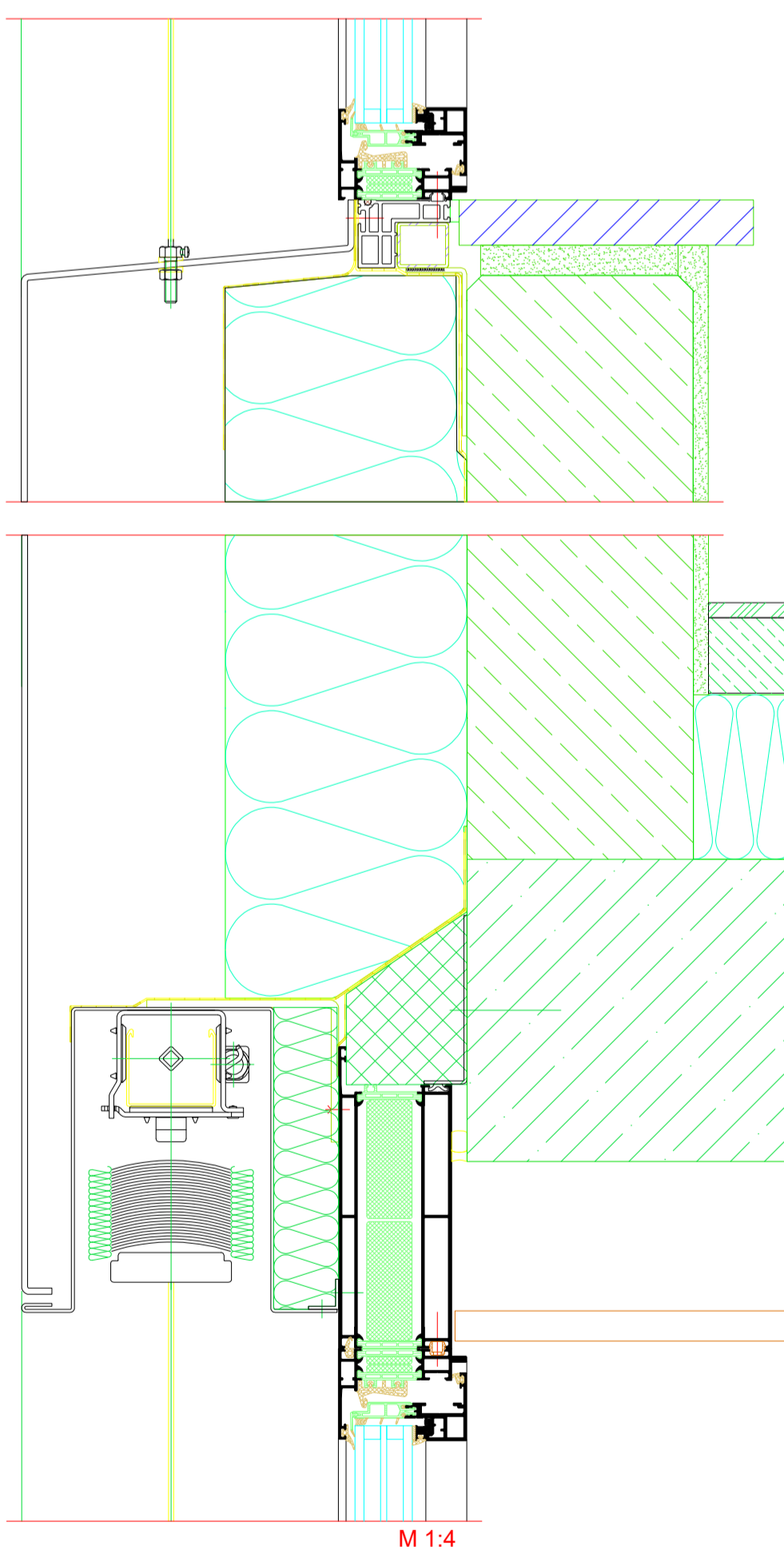


Unterer Anschluss
Bottom attachment

Seitlicher Anschluss
Side attachment

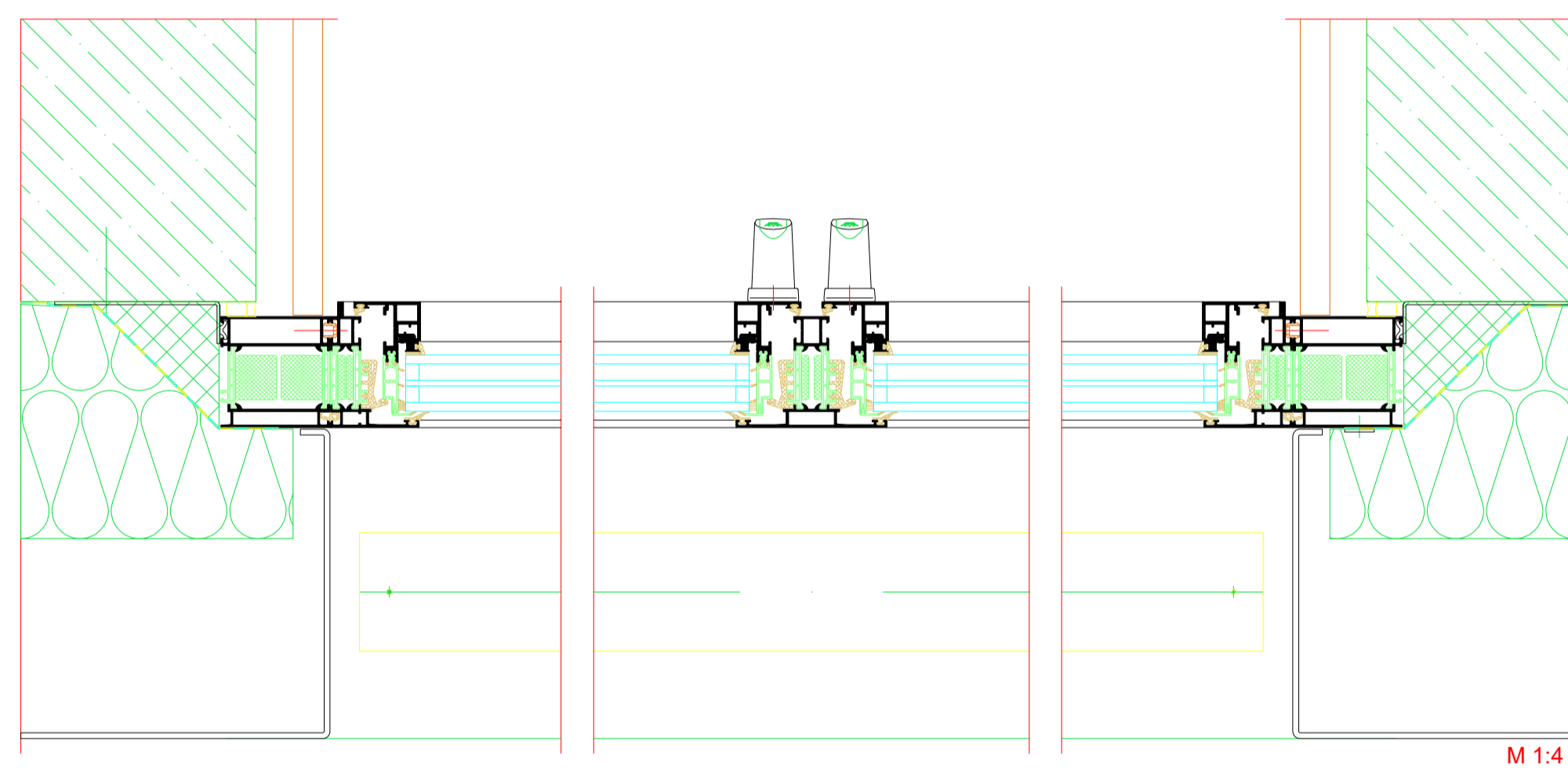


Oberer Anschluss
Top attachment



Unterer Anschluss
Bottom attachment

Seitlicher Anschluss
Side attachment



INDEX	DATE	REVISION	DESIGNED BY	CHECKED BY
PLANNING				
PROJECT				
CLIENT				
PLANNING				
PROJECT				
CLIENT				
PLANNING				
PROJECT				
CLIENT				

