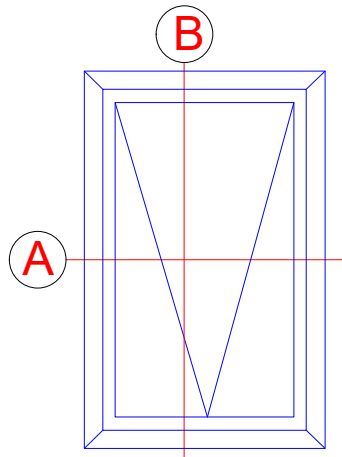


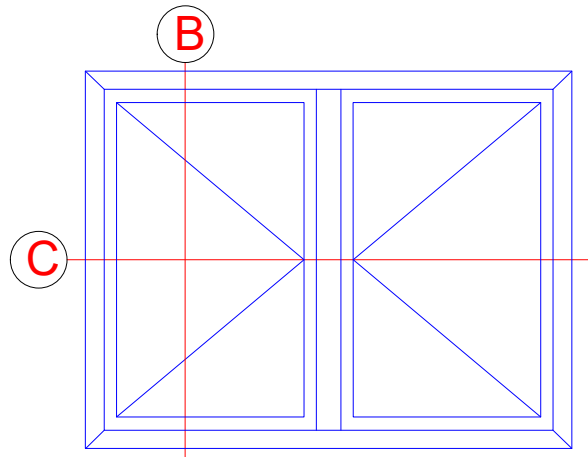
Klappfenster

Top-hung window



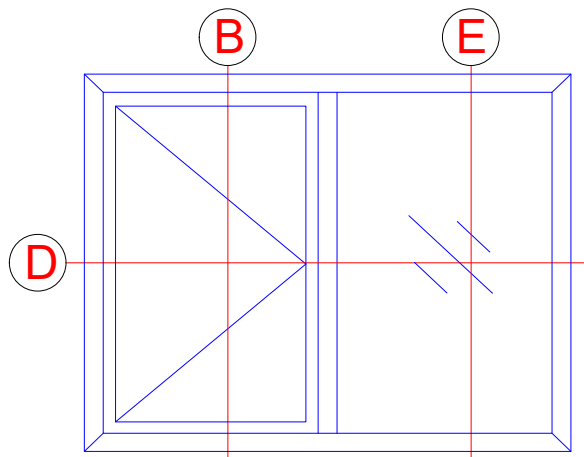
Zweiflügeliges Fenster

Double-vent window



Einflügeliges Fenster mit Festfeld

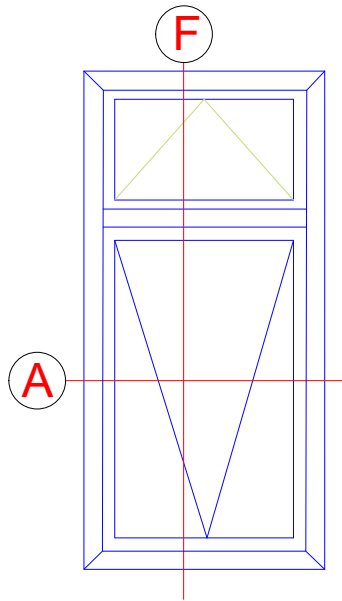
Single-vent window with fixed light



INDEX	DATUM	ÄNDERUNG	GEZEICHNET	GEPRÜFT
INDEX	DATE	CHANGE	DESIGNED BY	CHECKED BY
PLANINHALT PLAN CONTENT				DATUM DATE
Riva Elementbeispiele Riva Unit examples				
PROJEKT PROJECT				PROJEKT NR. PROJECT NR.
Fenster RIVA AWS 50 Außen öffnend Window RIVA AWS 50 outward opening				
BAUHERR CLIENT				
-				
PLANVERFASSER PLANNER				
BENEDICT + RIVA			BENEDICT + RIVA GmbH Rödelstrasse 13 04229 Leipzig, Germany	
ANSPRECHPARTNER CONTACT PERSON		Matthias Anderle		
PLANART PLANNING TYPE	STATUS STATUS	PLANFORMAT FORMAT	MAßSTAB SCALE	GEZEICHNET DESIGNED BY
-	-	DIN A4	-	B.J.Ni
PLANNUMMER DOCUMENT NUMBER				
-				

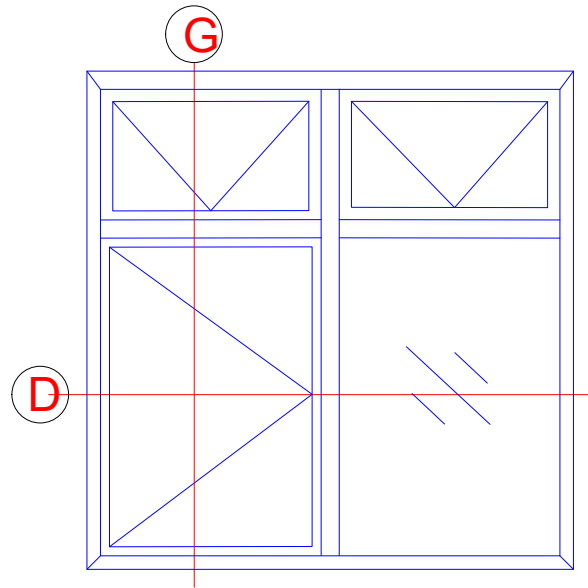
Klappfenster mit Oberlicht

Top-hung window with toplight



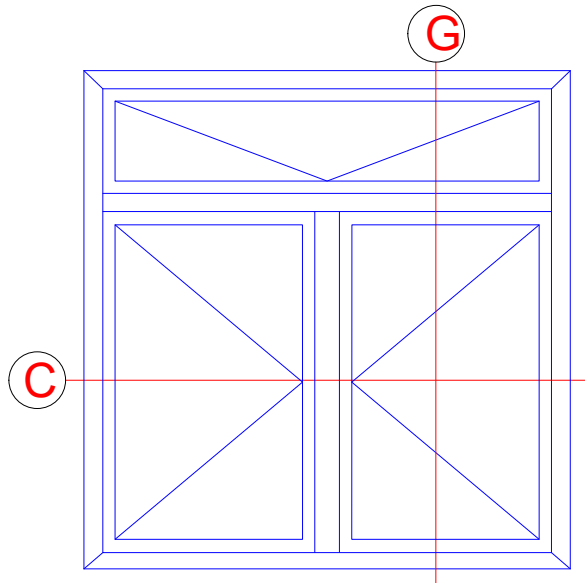
Einflügliges Fenster mit Festfeld und Oberlicht

Single-vent window with fixed light and toplight



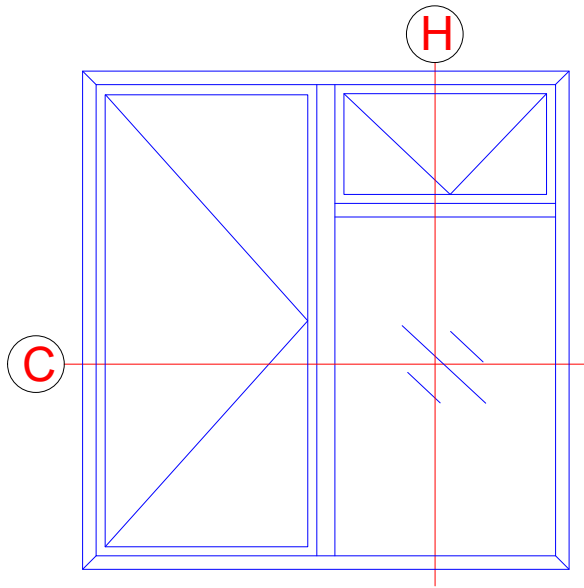
Zweiflügeliges Fenster mit Oberlicht

Double-vent window with toplight

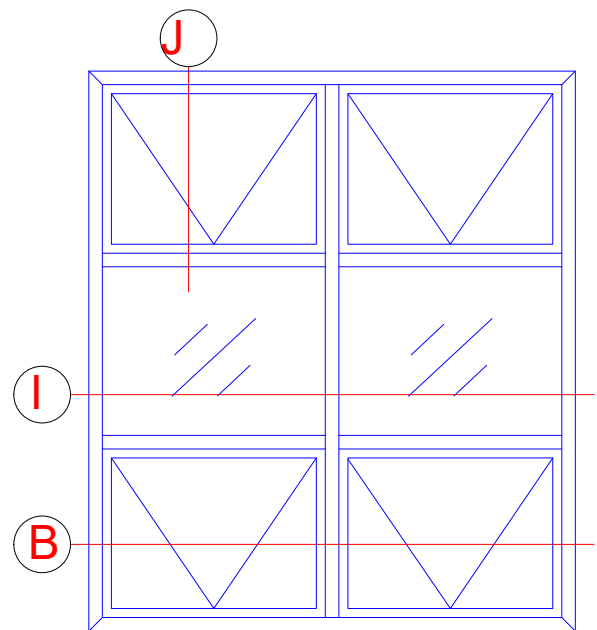


INDEX	DATUM DATE	ÄNDERUNG CHANGE	GEZEICHNET DESIGNED BY	GEPRÜFT CHECKED BY
-	-	-	-	-
PLANINHALT PLAN CONTENT				DATUM DATE
Riva Elementbeispiele Riva Unit examples				
PROJEKT PROJECT				PROJEKT NR. PROJECT NR.
Fenster RIVA AWS 50 Außen öffnend Window RIVA AWS 50 outward opening				
BAUHERR CLIENT				
-				
PLANVERFASSER PLANNER				
BENEDICT + RIVA			BENEDICT + RIVA GmbH Rödelstrasse 13 04229 Leipzig, Germany	
ANSPRECHPARTNER CONTACT PERSON		Matthias Anderle		
PLANART PLANNING TYPE	STATUS STATUS	PLANFORMAT FORMAT	MAßSTAB SCALE	GEZEICHNET DESIGNED BY
-	-	DIN A4	-	B.J.Ni
GEPRÜFT CHECKED BY				
M.A.				
PLANNUMMER DOCUMENT NUMBER				
-				

Einflügliges Fenster mit Festfeld und Oberlicht
 Single-vent window with fixed light and toplight



Festfelder mit Ober- und Unterlicht
 Fixed lights with toplight and bottom light

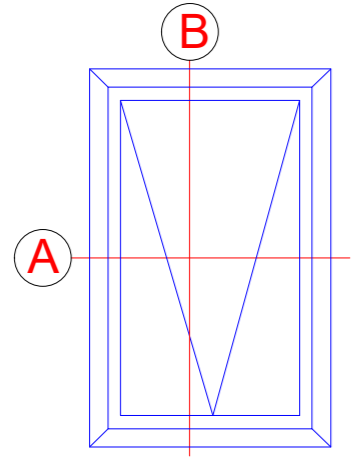


Einsatzelemente sind in Fassadensysteme zu finden
 Insert units can be found in façade systems

-	-	-	-	-	-
INDEX INDEX	DATUM DATE	ÄNDERUNG CHANGE	GEZEICHNET DESIGNED BY	GEPRÜFT CHECKED BY	
PLANINHALT PLAN CONTENT				DATUM DATE	
Riva Elementbeispiele Riva Unit examples					
PROJEKT PROJECT				PROJEKT NR. PROJECT NR.	
Fenster RIVA AWS 50 Außen öffnend Window RIVA AWS 50 outward opening					
BAUHERR CLIENT					
-					
PLANVERFASSER PLANNER					
BENEDICT + RIVA			BENEDICT + RIVA GmbH Rüdelstrasse 13 04229 Leipzig, Germany		
ANSPRECHPARTNER CONTACT PERSON		Matthias Anderle			
PLANART PLANNING TYPE	STATUS STATUS	PLANFORMAT FORMAT	MAßSTAB SCALE	GEZEICHNET DESIGNED BY	GEPRÜFT CHECKED BY
-	-	DIN A4	-	B.J.Ni	M.A.
PLANNUMMER DOCUMENT NUMBER					
-					



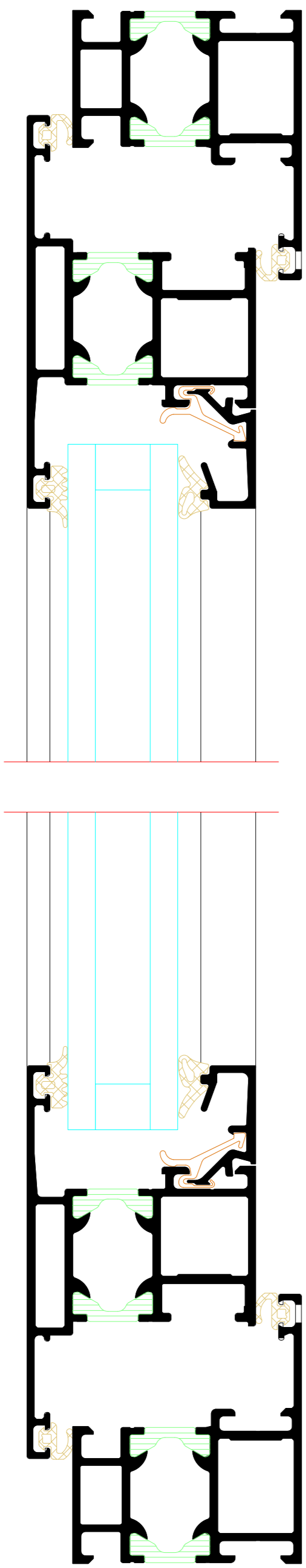
Klappfenster
Top-hung window



A

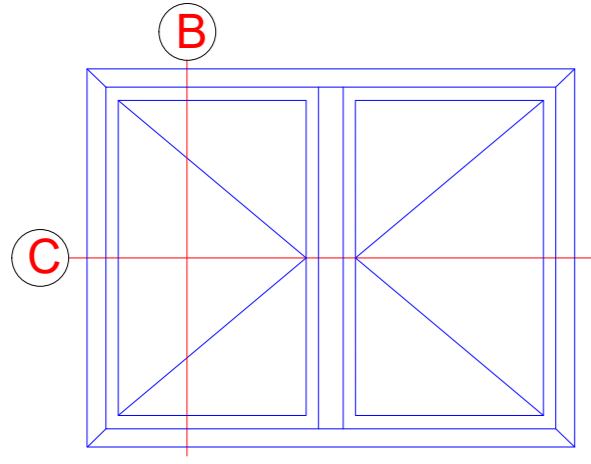


B

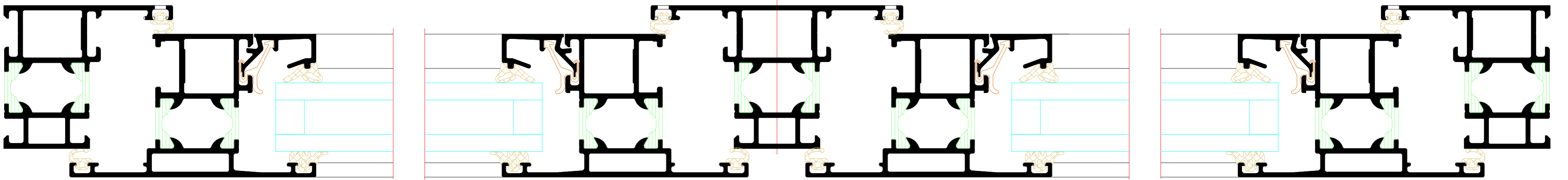


INDEX	DATE	ANDERUNG	GEZEICHNET	GEPRÜFT
INDEX	DATE	CHANGE	DESIGNED BY	CHECKED BY
PLANWALD				
PLAN CONTENT				
Riva Elementschnitte				
Riva Unit section details				
PROJECT				PROJECT NR.
Fenster RIVA AWS 50 Außen öffnend				
Window RIVA AWS 50 outward opening				
BAUHERR				PROJECT MR.
CLIENT				
PLANVERFASSER				
PLANNER				
BENEDICT + RIVA				BENEDICT + RIVA GmbH
				Röselstrasse 19
				04259 Leipzig, Germany
ANSPRECHPARTNER				
CONTACT PERSON				
PLANART	STATUS	PLANFORMAT	MASSE/AB	GEZEICHNET
PLANNING TYPE	STATUS	FORMAT	SCALE	DESIGNED BY
		(DIN A1)		DATE
PLANNUMMER				GEPRÜFT
DOCUMENT NUMBER				CHECKED BY
				DATE

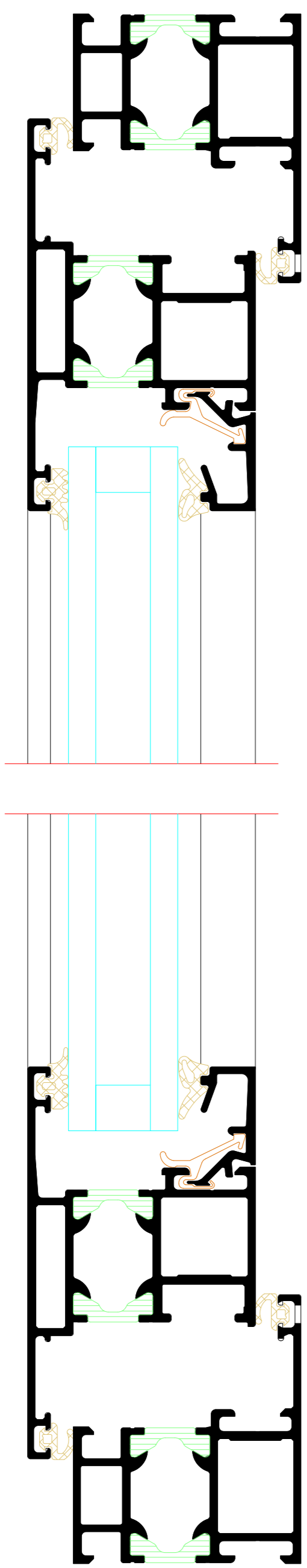
Zweiflügeliges Fenster
Vent + vent



C

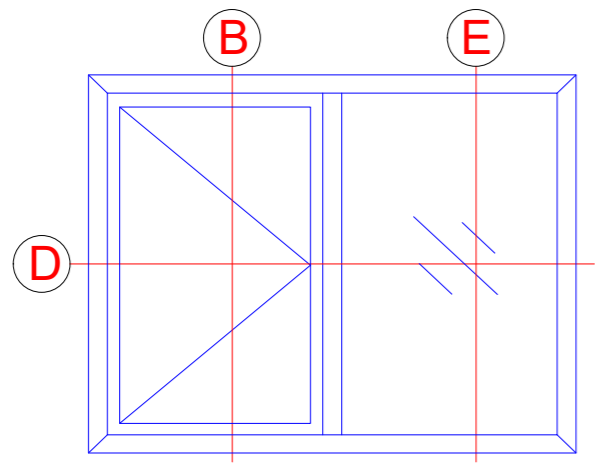


B

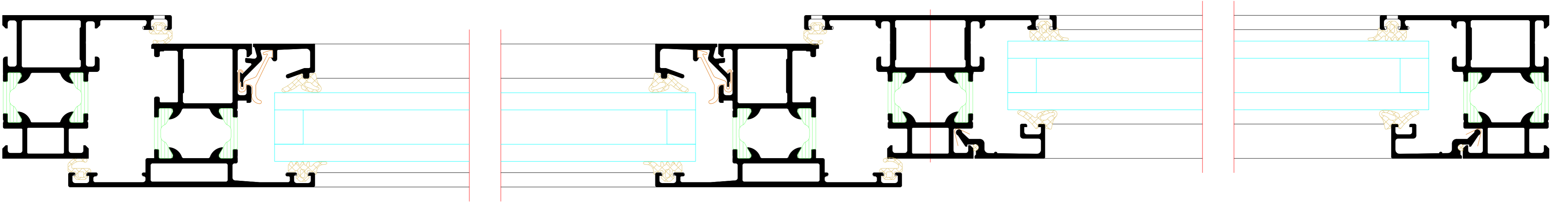


INDEX	DATUM	ÄNDERUNG	GEZEICHNET	GEPRÜFT
INDEX	DATE	CHANGE	DESIGNED BY	CHECKED BY
PLANNING				
PLAN CONTENT				
Riva Elementschritte				
Riva Unit section details				
PROJECT				PROJECT NR.
Fenster RIVA AWS 50 Außen öffnend				
Window RIVA AWS 50 outward opening				
BAUHER				PROJECT NR.
CLIENT				
PLANNING				
PLANNING				
CONTACT PERSON				
PLANNING				
PLANNING TYPE				
STATUS				
PLANNING				
FORMAT				
SCALE				
DESIGNED BY				
CHECKED BY				
PLANNING				
DOCUMENT NUMBER				

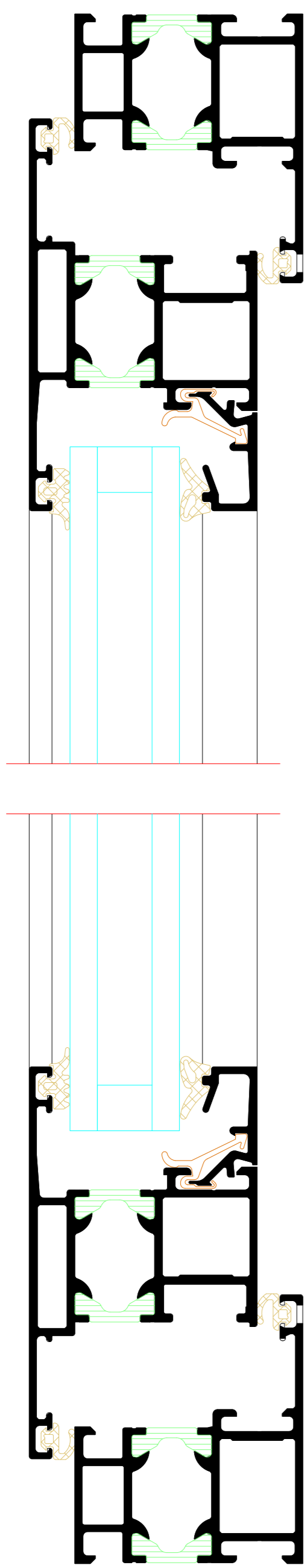
Einflügliges Fenster mit Festfeld
 Single-vent window with fixed light



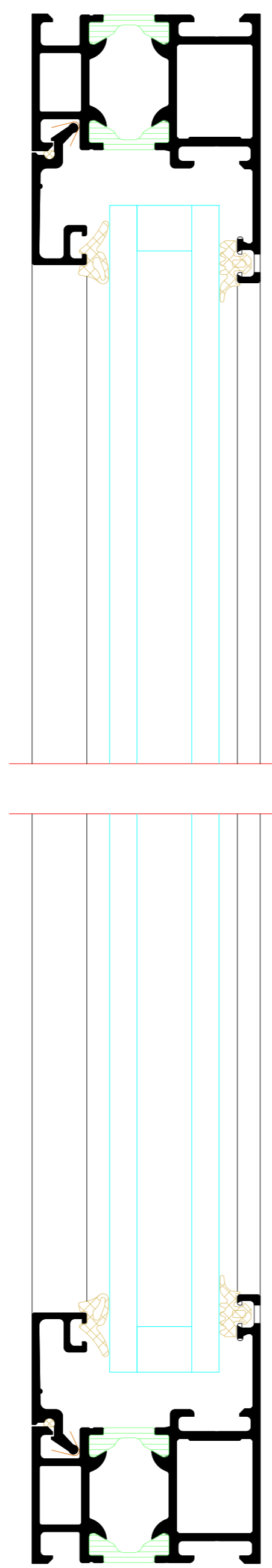
D



B

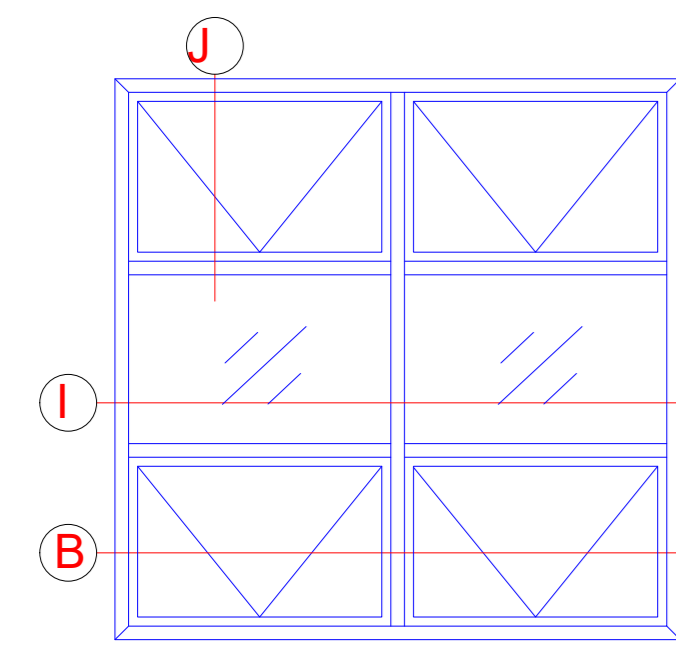


E

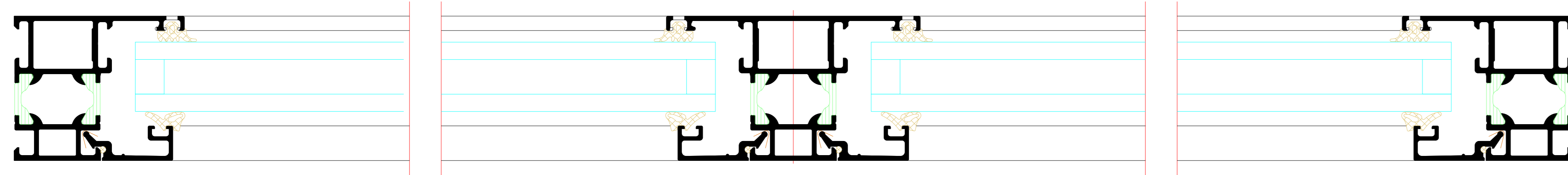


INDEX	DATE	REVISION	DESIGNED BY	CHECKED BY
PLANNING				
PLAN NUMBER				
Riva Elementschritte Riva Unit section details				
PROJECT	Fenster RIVA AWS 50 Außen öffend Window RIVA AWS 50 outward opening			PROJECT NO. PROJECT IN.
OWNER	CLIENT			
PLANNING	PLANNER			
BENEDICT + RIVA				
BENEDICT + RIVA GmbH Röschestraße 19 04329 Leipzig, Germany				
RESPONSIBLE	Mathias Anstötz			
CONTACT PERSON				
PLANNING	STATUS	PLANNING	SCALE	DESIGNED
PLANNING TYPE	STATUS	FORM	SCALE	CHECKED
PLANNING NUMBER	DOCUMENT NUMBER			

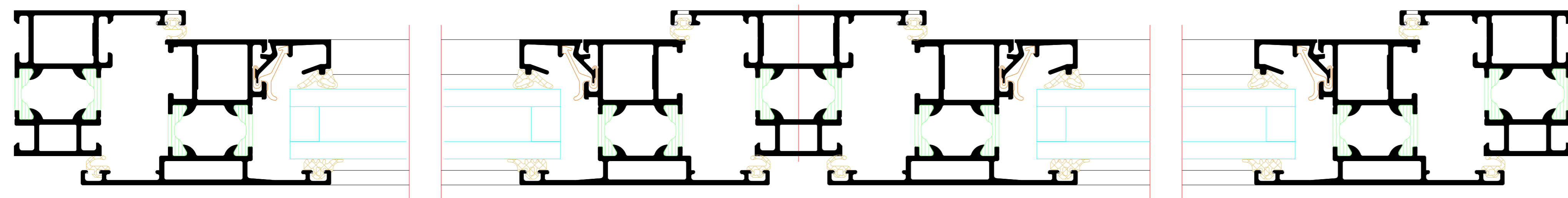
Festfelder mit Ober- und Unterlicht
 Fixed lights with toplight and bottom light



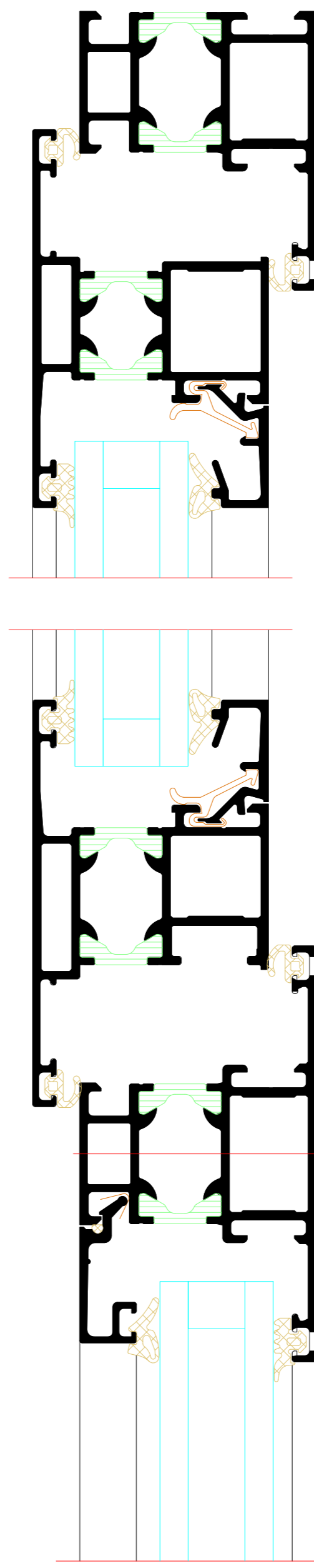
I



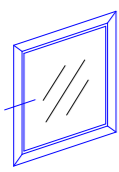
B



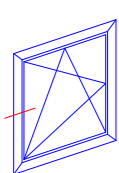
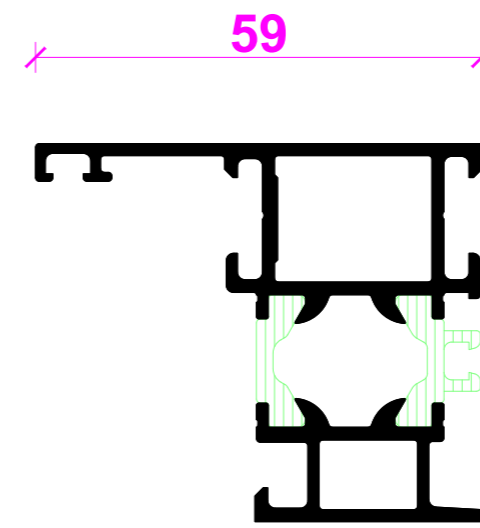
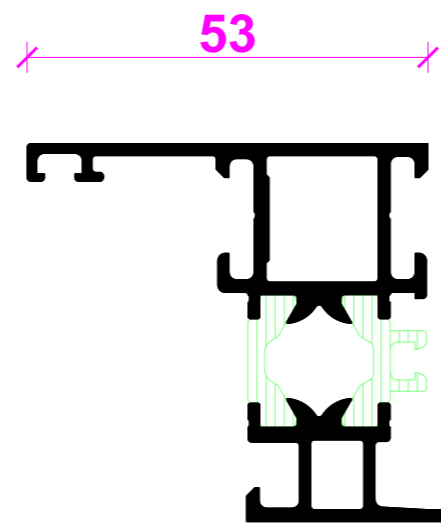
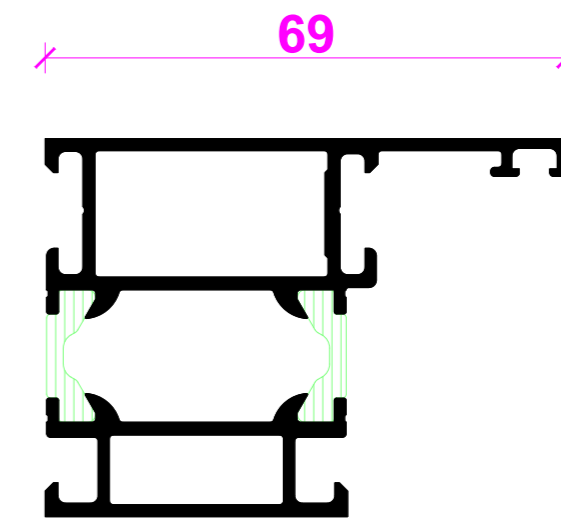
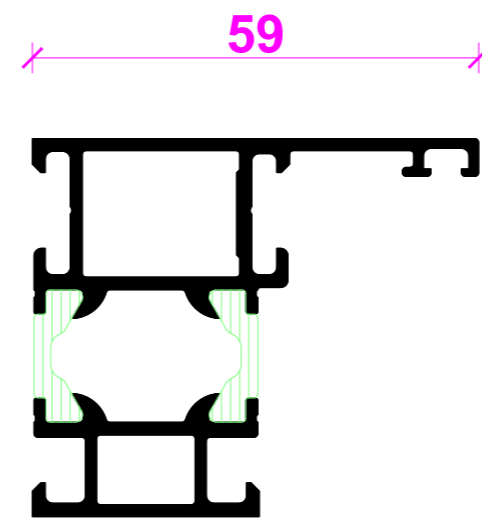
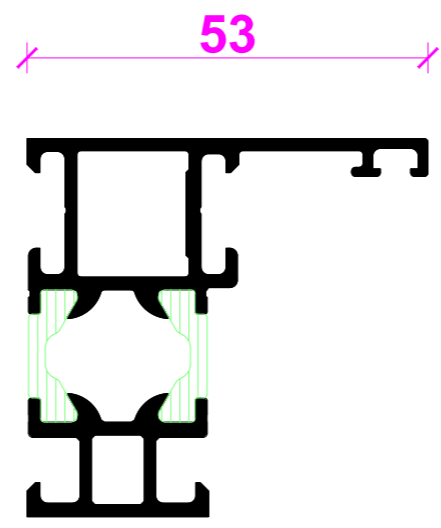
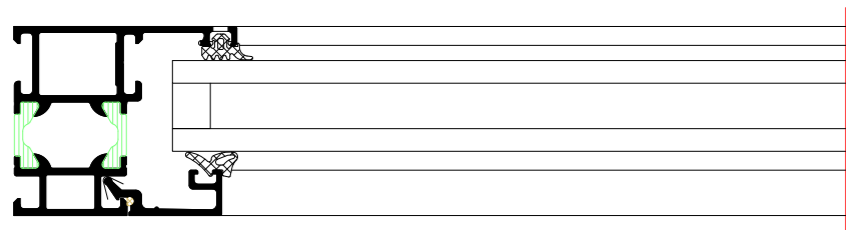
J



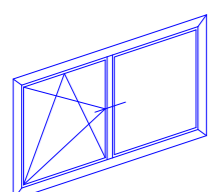
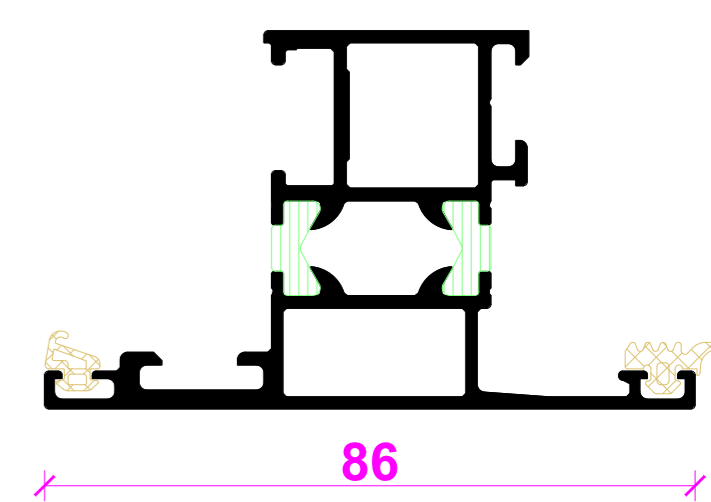
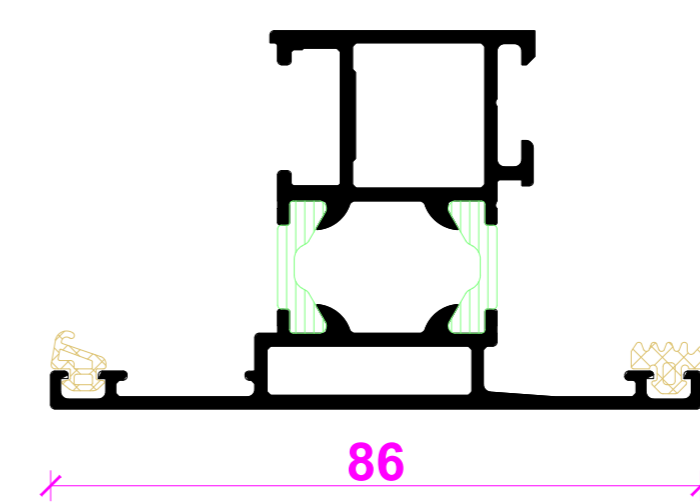
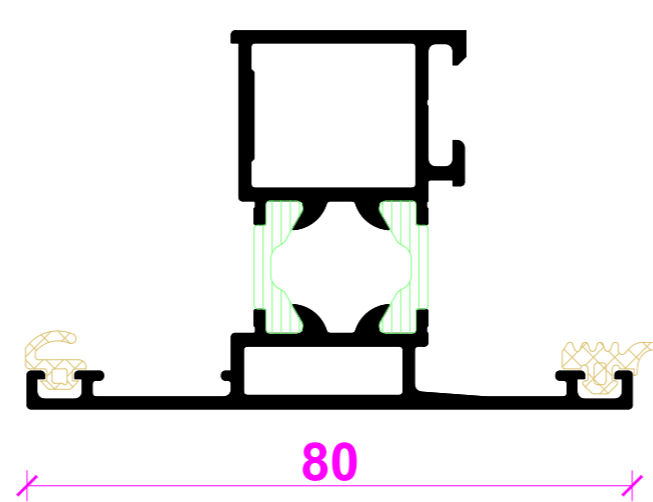
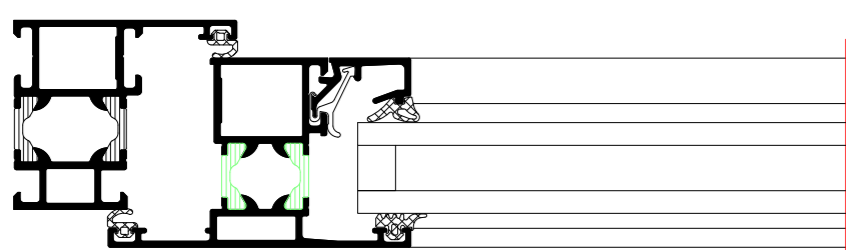
NO.	DATE	REVISION	REVISION	REVISION
01	01.10.2018	01	01	01
RIVA Elementschelle Riva L101 section details Fenster RIVA AWS 50 Außen offhand Window RIVA AWS 50 outward opening				
BENEDICT + RIVA				



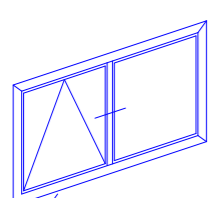
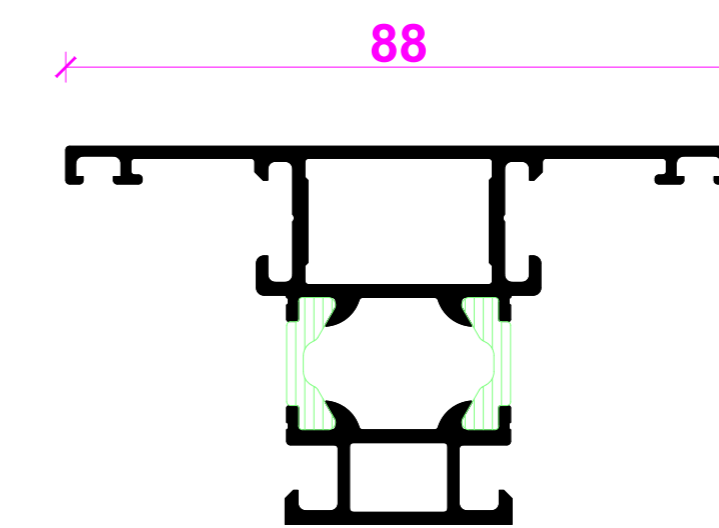
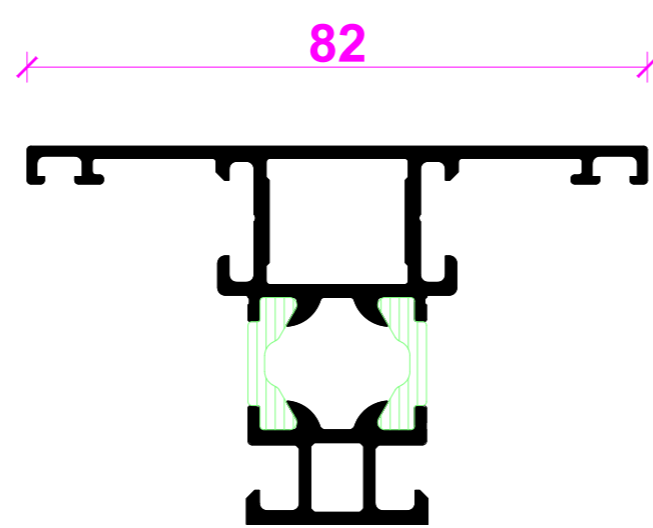
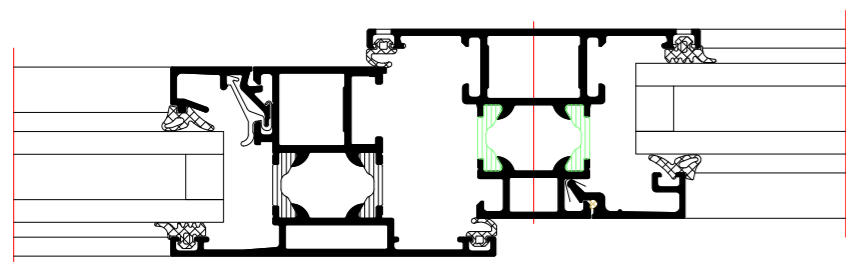
Blendrahmenprofil
Outer frame profile



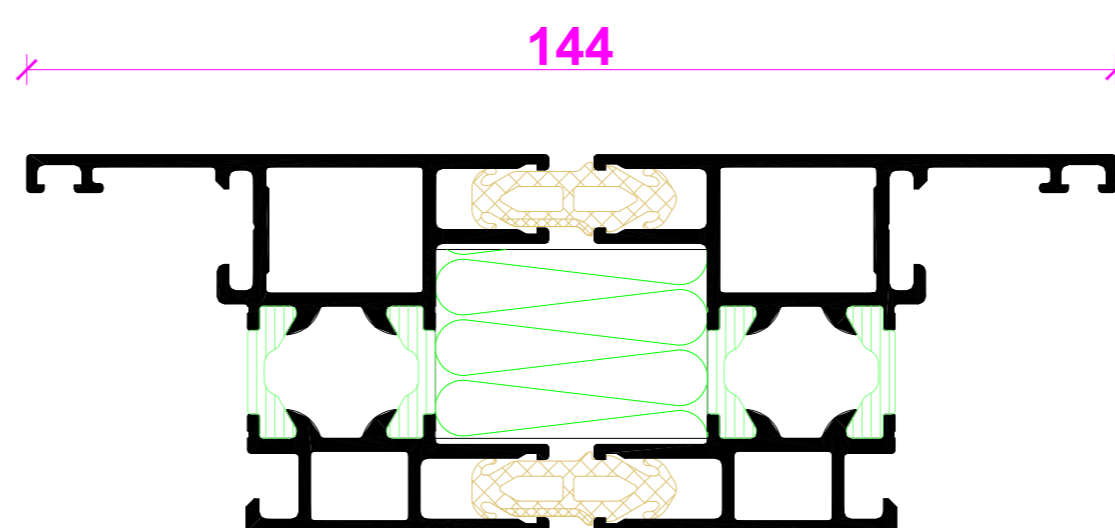
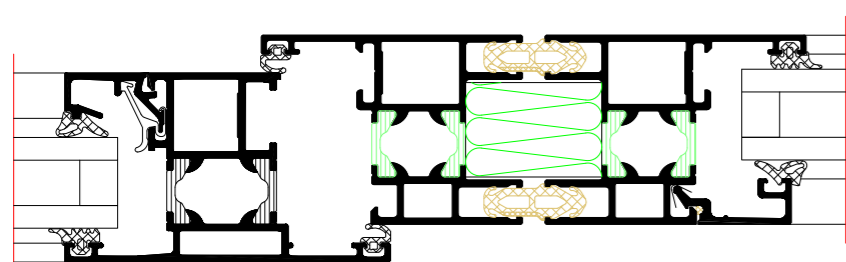
Flügelprofil
Vent profile



Riegel / Pfosten
Transom/mullion



Dehnungs- und Montagestoß
Expansion and assembly joint



INDEX	DATE	REVISION	DESIGNED BY	CHECKED BY
INDEX	DATE	REVISION	DESIGNED BY	CHECKED BY
PLANNING	DATE	CHANGE	DESIGNED BY	CHECKED BY
PLAN COMMENT			DATE	
Riva Profilsysteme				
Riva Profile systems				
PROJECT	Fenster RIVA AWS 50 Außen öffnend			PROJECT NO.
PROJECT	Window RIVA AWS 50 outward opening			PROJECT NO.
OWNER				
CLIENT				
PLANNING				
PLANNER				
BENEDICT + RIVA				
BENEDICT + RIVA GmbH				
Röselstrasse 13				
04229 Leipzig, Germany				
CONTACT PERSON	STATUS	PLANNING	SCALE	DESIGNED BY
CONTACT PERSON	STATUS	PLANNING	SCALE	DESIGNED BY
PLANNING TYPE	STATUS	FORMAT	SCALE	DESIGNED BY
PLANNING TYPE	STATUS	FORMAT	SCALE	DESIGNED BY
DOCUMENT NUMBER				CHECKED BY
DOCUMENT NUMBER				CHECKED BY