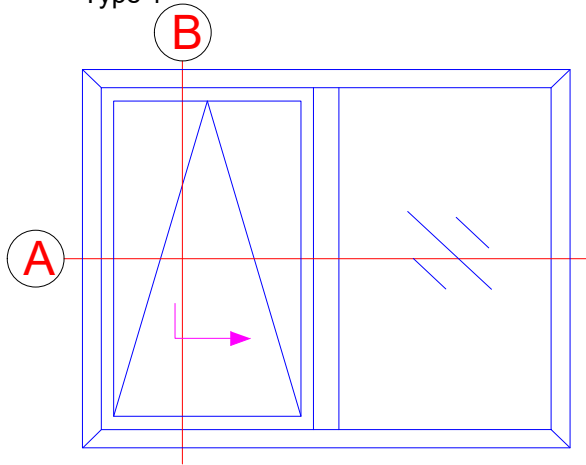


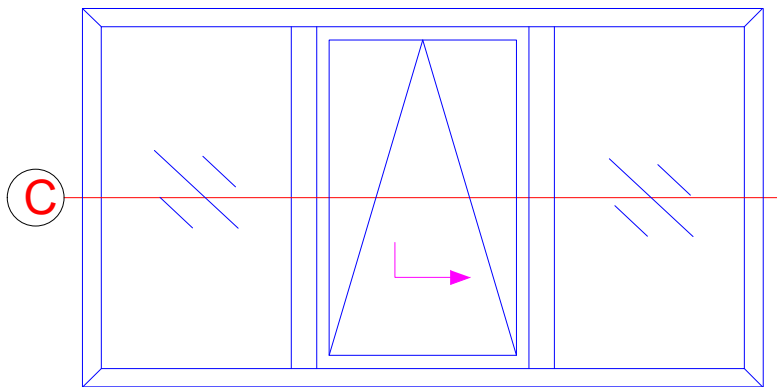
Typ 1

Type 1



Typ 2

Type 2

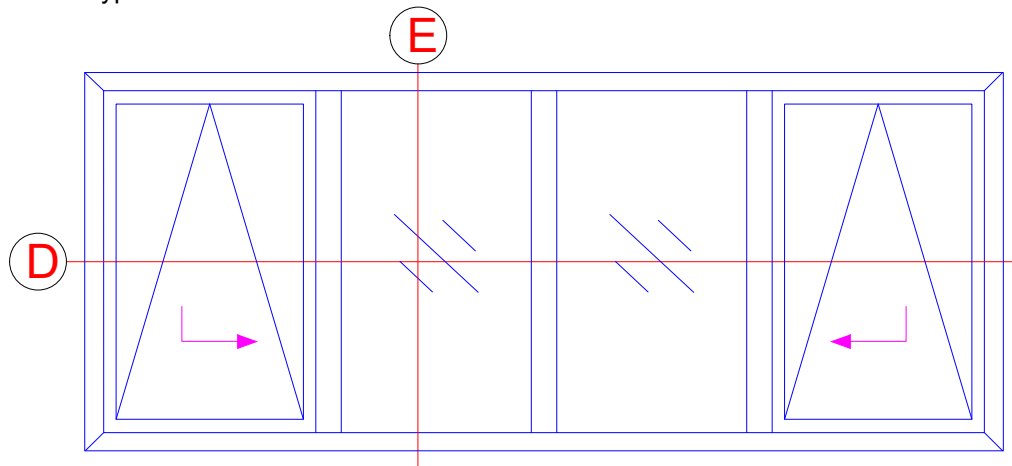


INDEX	DATUM	ÄNDERUNG	GEZEICHNET	GEPRÜFT	
INDEX	DATE	CHANGE	DESIGNED BY	CHECKED BY	
-	-	-	-	-	
PLANINHALT PLAN CONTENT Riva Elementbeispiele Riva Unit examples				DATUM DATE	
PROJEKT PROJECT Fenster RIVA AWS 50 PASK Window RIVA AWS 50 Tilt/slide				PROJEKT NR. PROJECT NR.	
BAUHERR CLIENT -					
PLANVERFASSER PLANNER <div style="display: flex; justify-content: space-between; align-items: center;"> <div style="font-size: 24pt; font-weight: bold;"> BENEDICT + RIVA </div> <div style="text-align: right; font-size: 10pt; font-weight: bold;"> BENEDICT + RIVA GmbH Rödelstrasse 13 04229 Leipzig, Germany </div> </div>					
ANSPRECHPARTNER CONTACT PERSON Matthias Anderle					
PLANART PLANNING TYPE -	STATUS STATUS -	PLANFORMAT FORMAT DIN A4	MAßSTAB SCALE -	GEZEICHNET DESIGNED BY B.J.Ni	GEPRÜFT CHECKED BY M.A.
PLANNUMMER DOCUMENT NUMBER -					



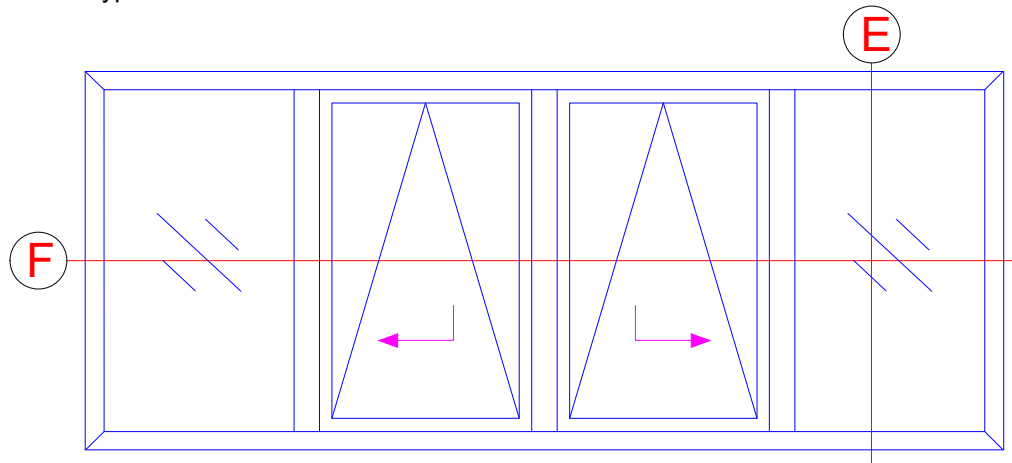
Typ 3

Type 3



Typ 4

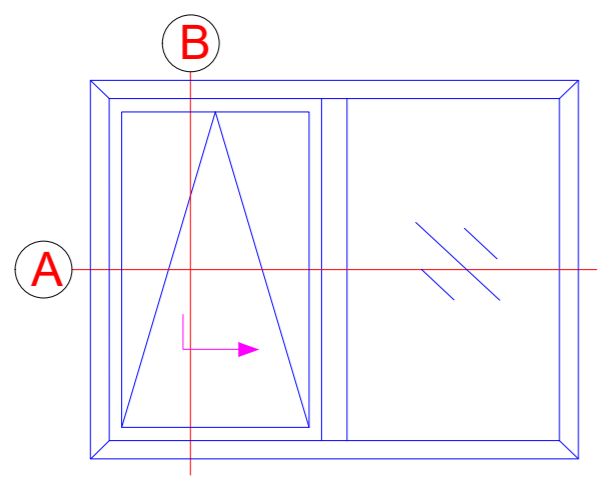
Type 4



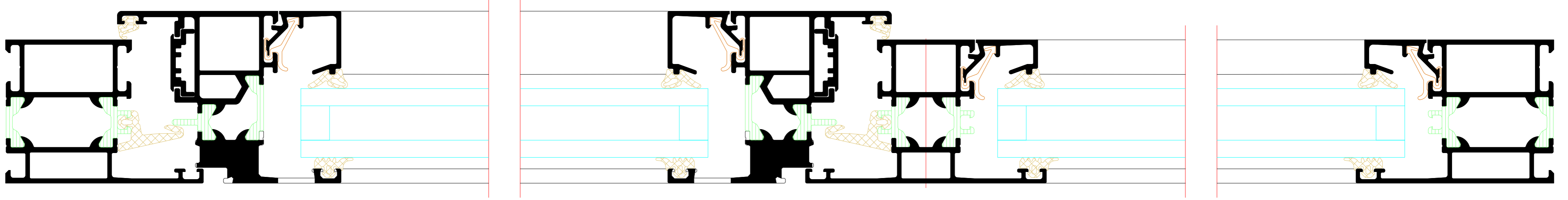
-	-	-	-	-
INDEX	DATUM	ÄNDERUNG	GEZEICHNET	GEPRÜFT
INDEX	DATE	CHANGE	DESIGNED BY	CHECKED BY
PLANINHALT PLAN CONTENT				DATUM DATE
Riva Elementbeispiele Riva Unit examples				
PROJEKT PROJECT				PROJEKT NR. PROJECT NR.
Fenster RIVA AWS 50 PASK Window RIVA AWS 50 Tilt/slide				
BAUHERR CLIENT				
-				
PLANVERFASSER PLANNER				
BENEDICT + RIVA			BENEDICT + RIVA GmbH Rödelstrasse 13 04229 Leipzig, Germany	
ANSPRECHPARTNER CONTACT PERSON		Matthias Anderle		
PLANART PLANNING TYPE	STATUS STATUS	PLANFORMAT FORMAT	MAßSTAB SCALE	GEZEICHNET DESIGNED BY
-	-	DIN A4	-	B.J.Ni
GEPRÜFT CHECKED BY				
M.A.				
PLANNUMMER DOCUMENT NUMBER				
-				



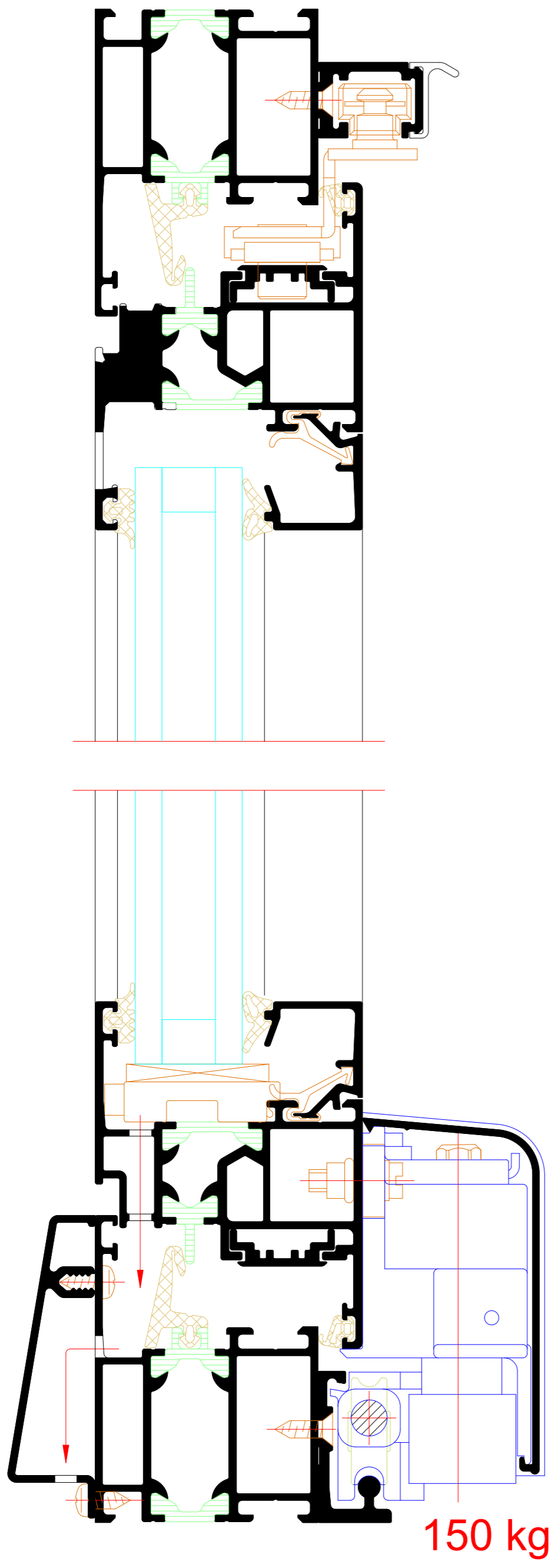
Typ 1
Type 1



A



B

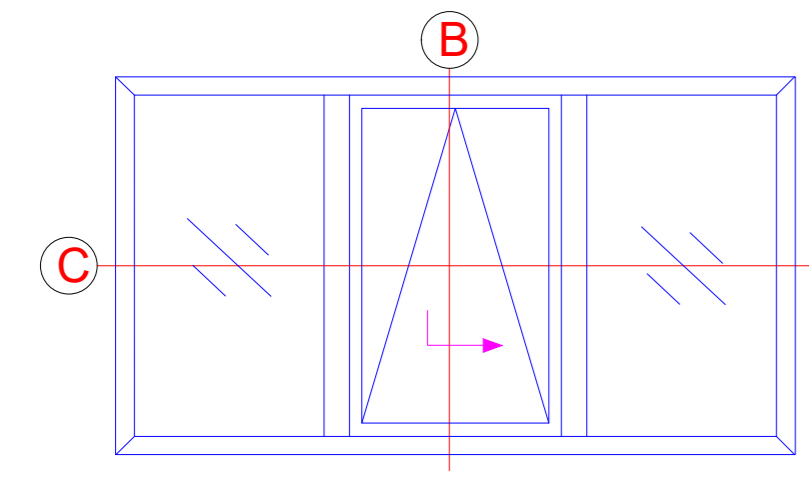


BENEDICT
+ RIVA

INDEX	DATE	ÄNDERUNG	GEZEICHNET	GEPRÜFT
NEBEN	DATE	CHANGE	DESIGNED BY	CHECKED BY
PLANWALT				
PLAN KONTEXT				
Riva Elementschritte				
Riva Unit section details				
PROJEKT				PROJEKT NR.
Fenster RIVA AWS 50 PASK				PROJEKT NR.
Window RIVA AWS 50 Tilt/Slide				PROJEKT NR.
MAßNEHMER				
CLIENT				
PLANVERFASSER				
PLANNER				
ANSCHREIBEPARTNER		Mathias Andrich		
CONTACT PERSON				
PLANART	STATUS	PLANFORMAT	MAßSTAB	GEZEICHNET
PLANNING TYPE		FORMAT	SCALE	DESIGNED BY
		DIN A1	1:50	U.S.A.
PLANUMMER				
DOCUMENT NUMBER				

BENEDICT + RIVA GmbH
Rödelstraße 13
04229 Leipzig, Germany

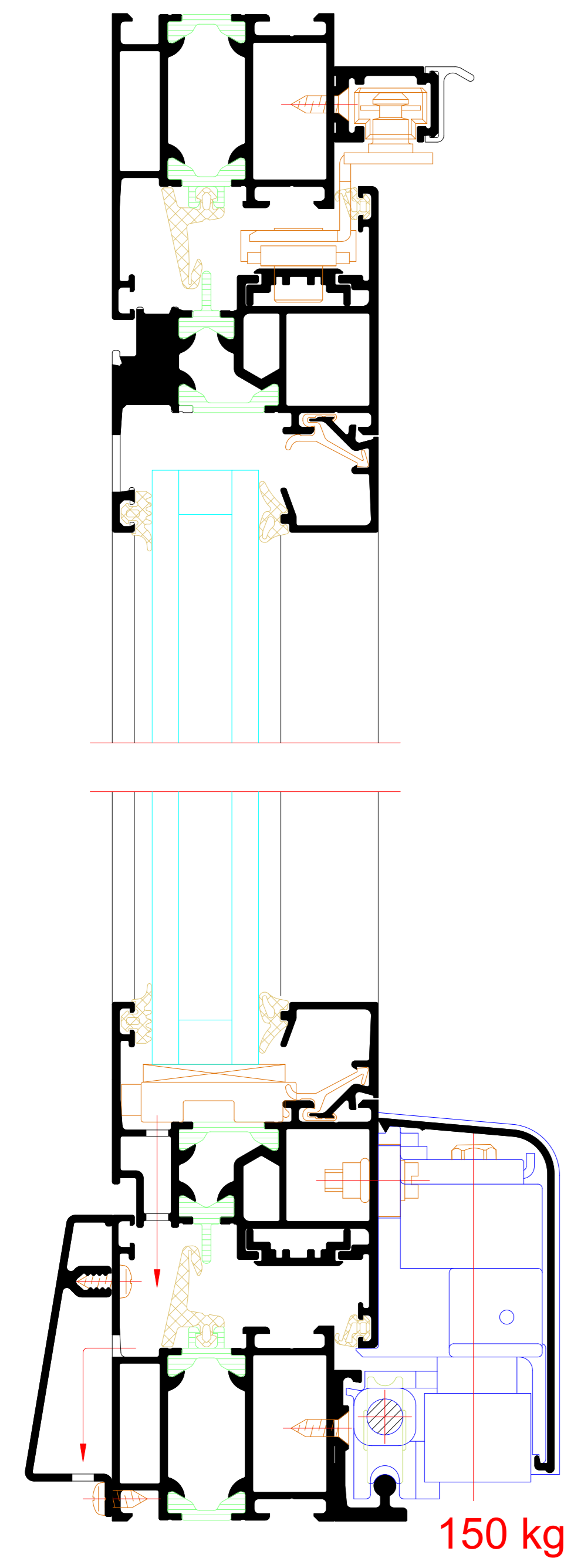
Typ 2
Type 2



C



B



NO.	DATE	DESCRIPTION	DESIGNED BY	CHECKED BY
001	01.10.2018	Initial design	J. RIVA	J. RIVA
002	02.10.2018	Final design	J. RIVA	J. RIVA
003	03.10.2018	Production drawing	J. RIVA	J. RIVA

Project: Riva Elementschleife
Riva Unit section details

Product: Fenster RIVA AWS 50 PASK
Window RIVA AWS 50 Tiltside

Scale: 1:10

Author: J. RIVA

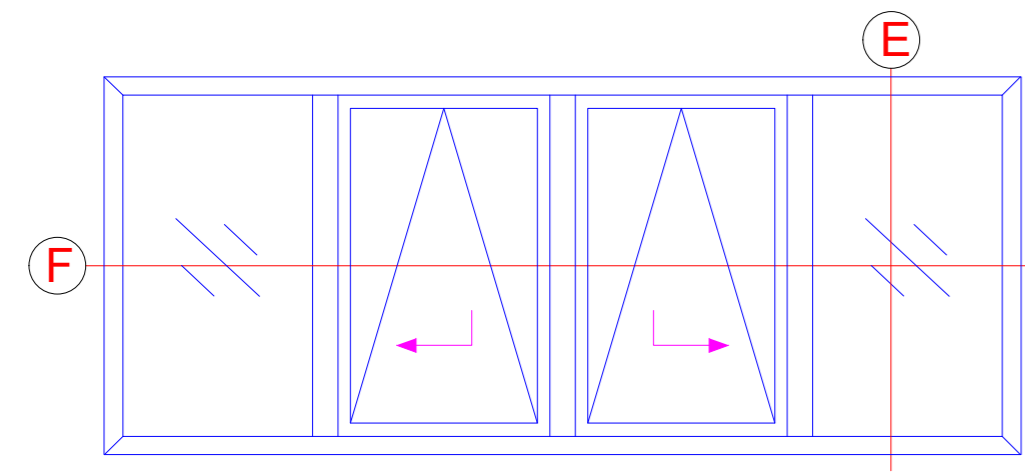
Check: J. RIVA

Project Manager: J. RIVA

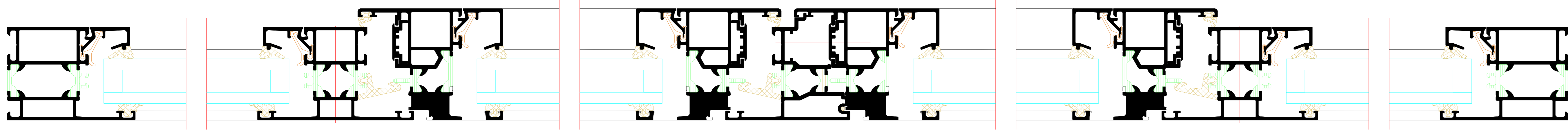
Customer: BENEDICT + RIVA

Address: BENEDICT + RIVA GmbH
Pöhlstraße 10
04209 Leipzig, Germany

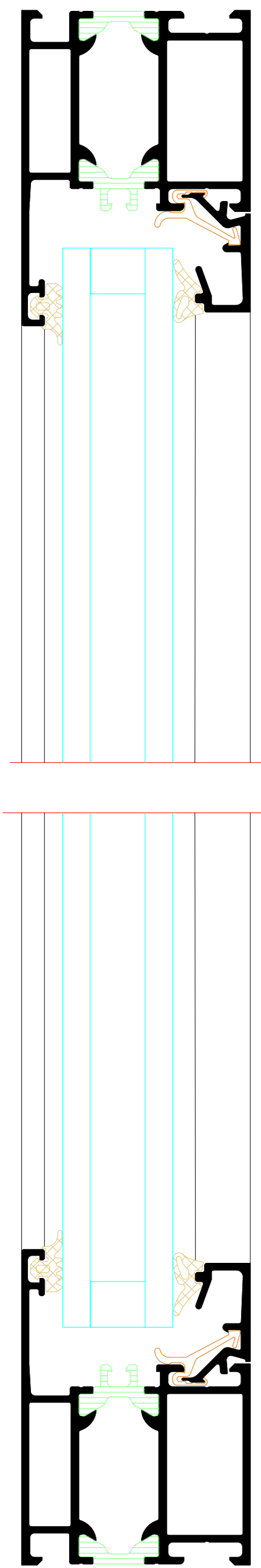
Typ 4
Type 4



F



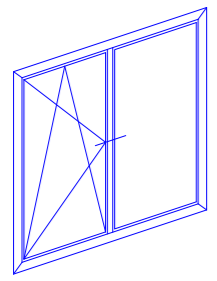
E



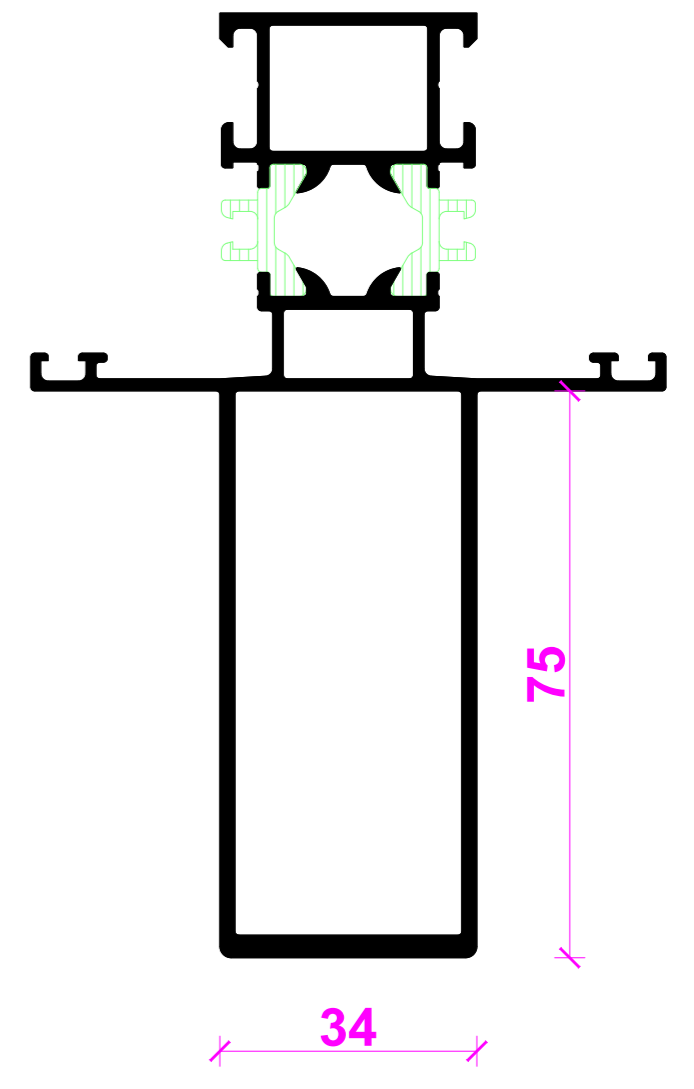
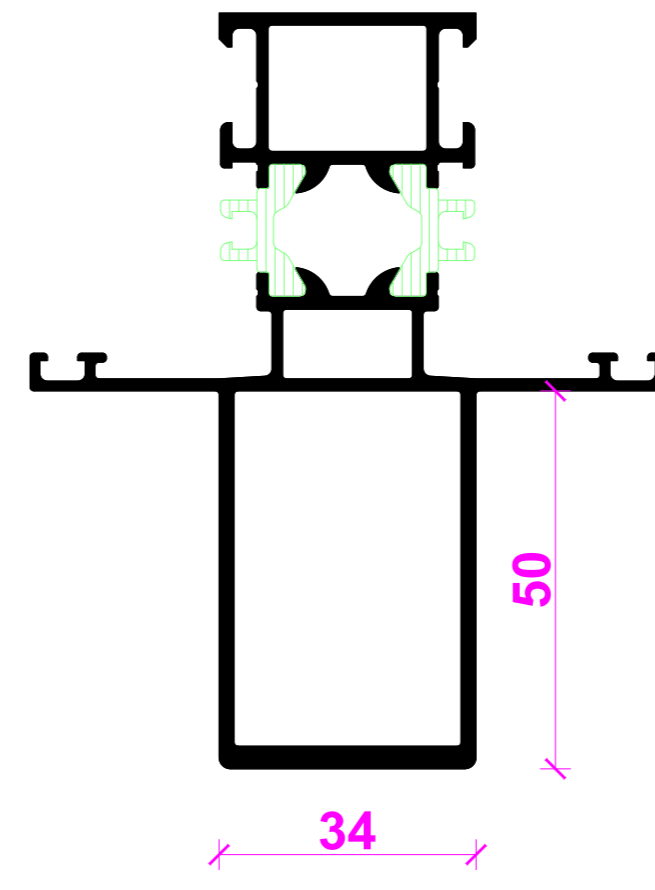
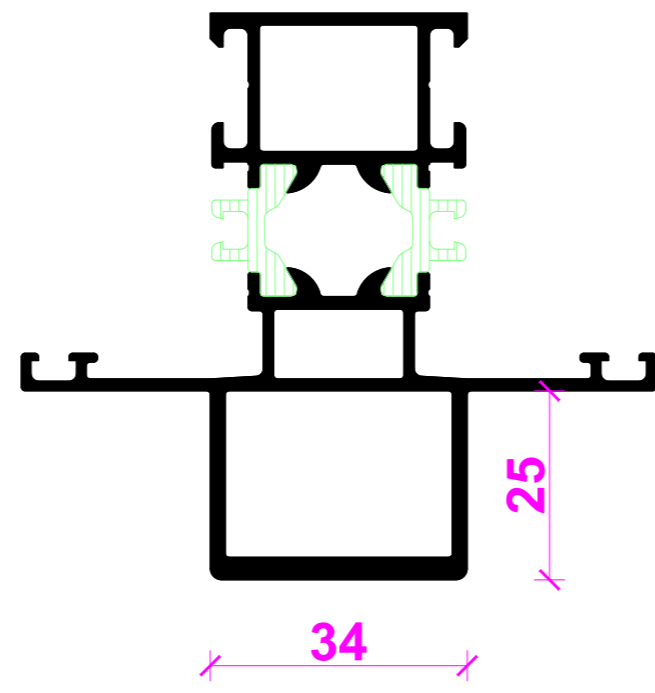
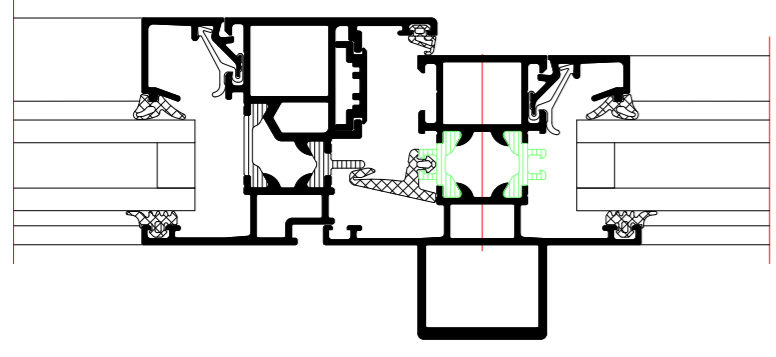
NO.	DATE	DESCRIPTION	DESIGNER	CHECKER
001	2018	01	01	01
002	2018	02	02	02
003	2018	03	03	03
004	2018	04	04	04
005	2018	05	05	05
006	2018	06	06	06
007	2018	07	07	07
008	2018	08	08	08
009	2018	09	09	09
010	2018	10	10	10
011	2018	11	11	11
012	2018	12	12	12
013	2018	13	13	13
014	2018	14	14	14
015	2018	15	15	15
016	2018	16	16	16
017	2018	17	17	17
018	2018	18	18	18
019	2018	19	19	19
020	2018	20	20	20

BENEDICT + RIVA
RIVA Elementschritte
Riva Unit section details
Fenster RIVA AWS 50 PASK
Window RIVA AWS 50 TiltSlide

BENEDICT + RIVA GmbH
Hauptstrasse 15
04250 Leipzig, Germany



Statikpfosten
Structural mullion



INDEX	DATE	REVISION	DESIGNED BY	CHECKED BY
PLANNING				
PROJECT	Riva Profilsysteme Riva Profile systems			PROJECT NR.
CLIENT	Fenster RIVA AWS 50 PASK Window RIVA AWS 50 Titralide			PROJECT NR.
PLANNING PARTNER	BENEDICT + RIVA			
PLANNING TYPE	STATUS	FORMAT	SCALE	DESIGNED BY
PLANNING NUMBER	STATUS	FORMAT	SCALE	DESIGNED BY
PLANNING NUMBER	STATUS	FORMAT	SCALE	DESIGNED BY