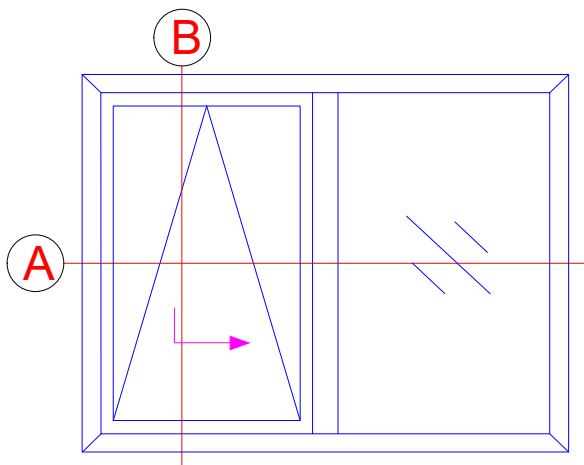


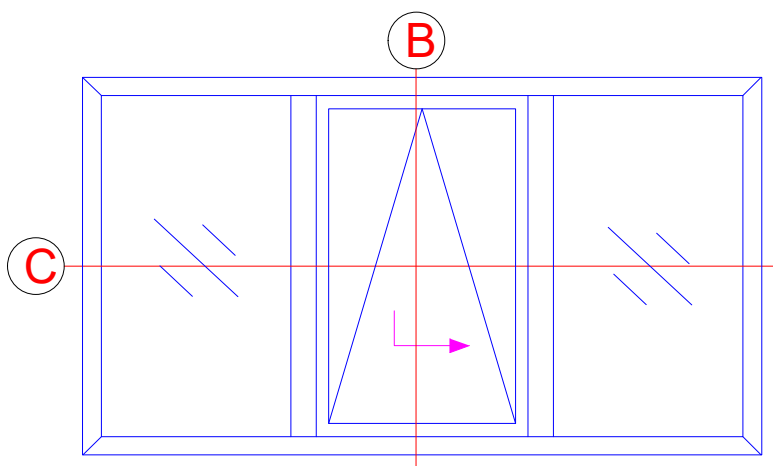
Typ 1

Type 1



Typ 2

Type 2

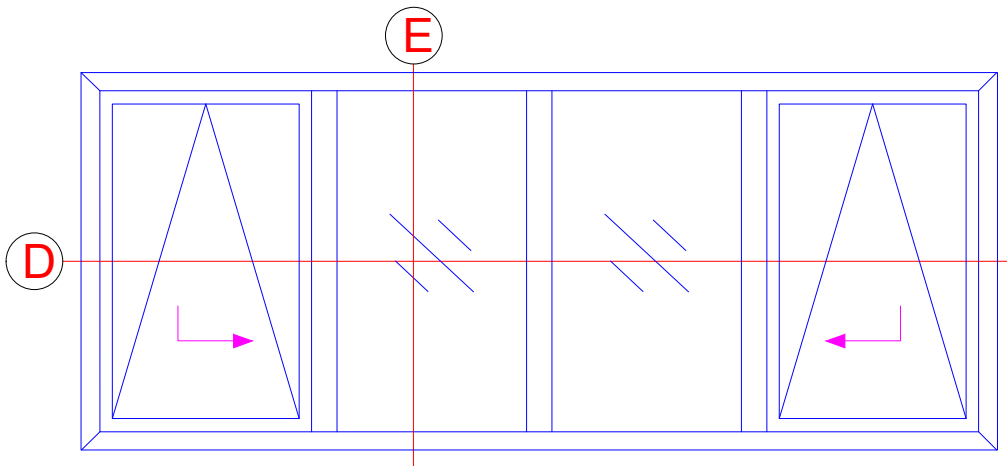


-	-	-	-	-	-
INDEX	DATUM	ÄNDERUNG	GEZEICHNET	GEPRÜFT	
INDEX	DATE	CHANGE	DESIGNED BY	CHECKED BY	
PLANINHALT PLAN CONTENT				DATUM DATE	
Riva Elementbeispiele Riva Unit examples					
PROJEKT PROJECT				PROJEKT NR. PROJECT NR.	
Fenster RIVA AWS 60 PASK Window RIVA AWS 60 Tilt/slide					
BAUHERR CLIENT					
-					
PLANVERFASSER PLANNER					
BENEDICT + RIVA			BENEDICT + RIVA GmbH Rödelstrasse 13 04229 Leipzig, Germany		
ANSPRECHPARTNER CONTACT PERSON		Matthias Anderle			
PLANART	STATUS	PLANFORMAT	MAßSTAB	GEZEICHNET	GEPRÜFT
PLANNING TYPE	STATUS	FORMAT	SCALE	DESIGNED BY	CHECKED BY
-	-	DIN A4	-	B.J.Ni	M.A.
PLANNUMMER DOCUMENT NUMBER					
-					



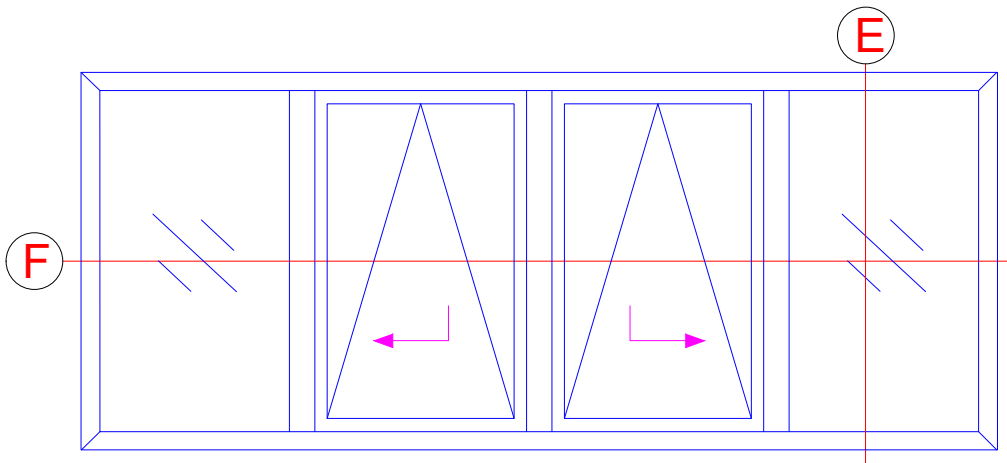
Typ 3

Type 3



Typ 4

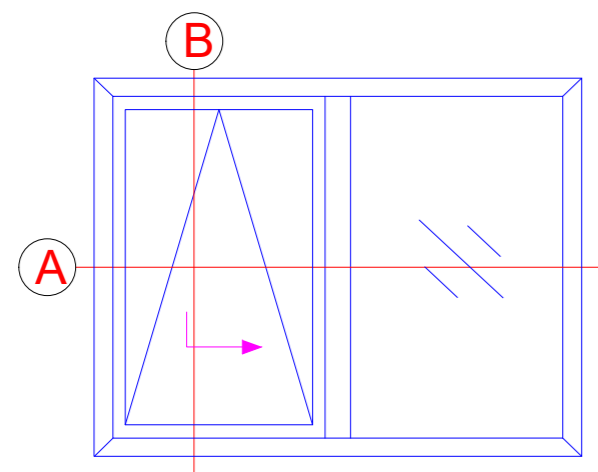
Type 4



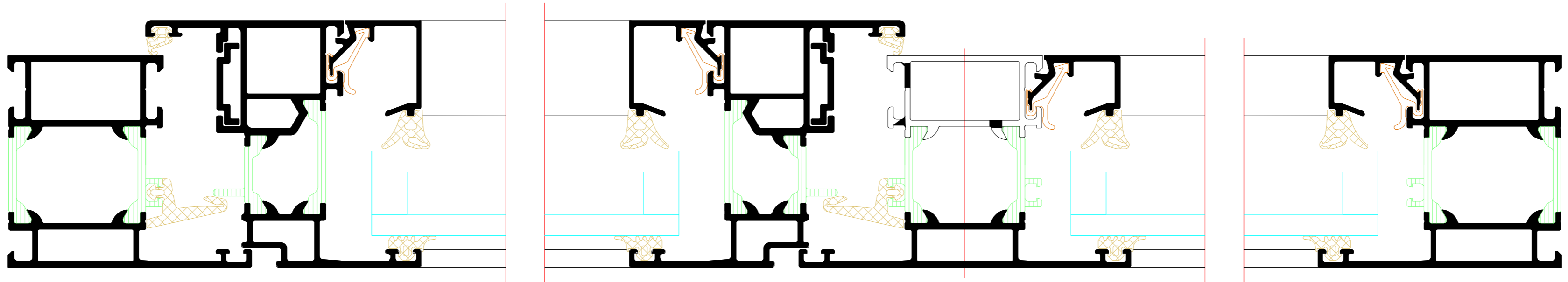
-	-	-	-	-
INDEX INDEX	DATUM DATE	ÄNDERUNG CHANGE	GEZEICHNET DESIGNED BY	GEPRÜFT CHECKED BY
PLANINHALT PLAN CONTENT				DATUM DATE
Riva Elementbeispiele Riva Unit examples				
PROJEKT PROJECT				PROJEKT NR. PROJECT NR.
Fenster RIVA AWS 60 PASK Window RIVA AWS 60 Tilt/slide				
BAUHERR CLIENT				
-				
PLANVERFASSER PLANNER				
BENEDICT + RIVA			BENEDICT + RIVA GmbH Rödelstrasse 13 04229 Leipzig, Germany	
ANSPRECHPARTNER CONTACT PERSON		Matthias Anderle		
PLANART PLANNING TYPE	STATUS STATUS	PLANFORMAT FORMAT	MAßSTAB SCALE	GEZEICHNET DESIGNED BY
-	-	DIN A4	-	B.J.Ni
PLANNUMMER DOCUMENT NUMBER				
-				



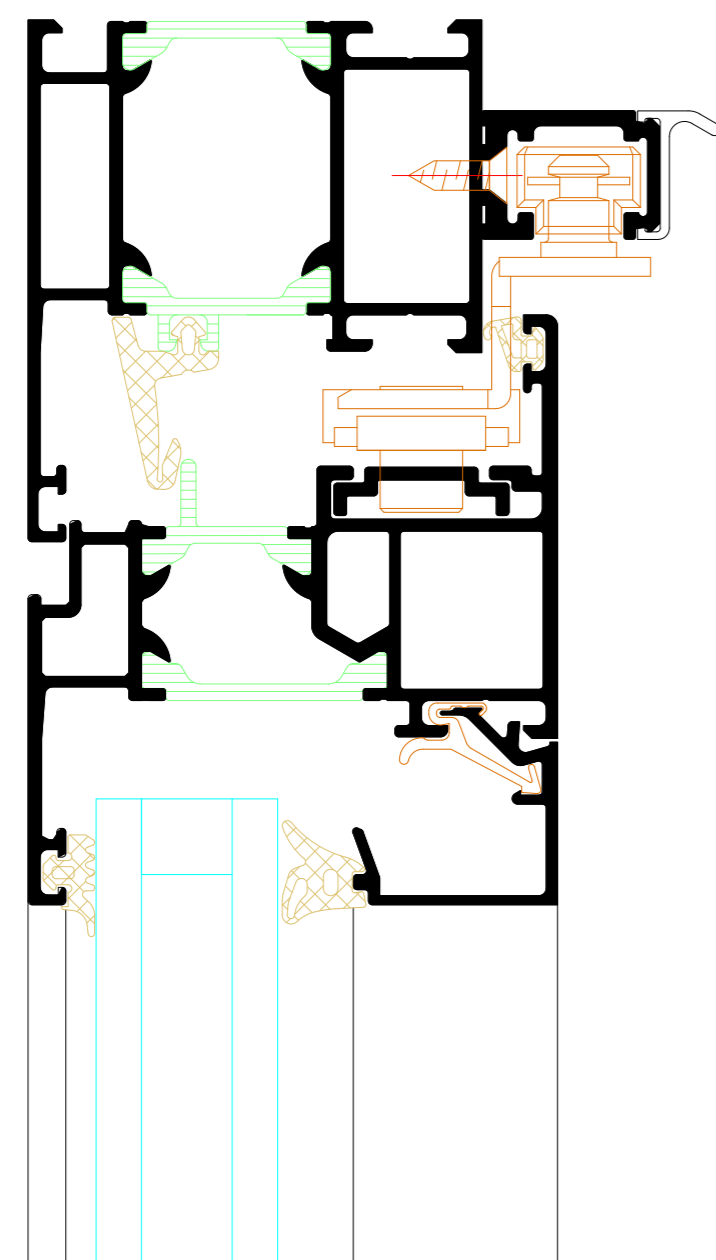
Typ 1
Type 1



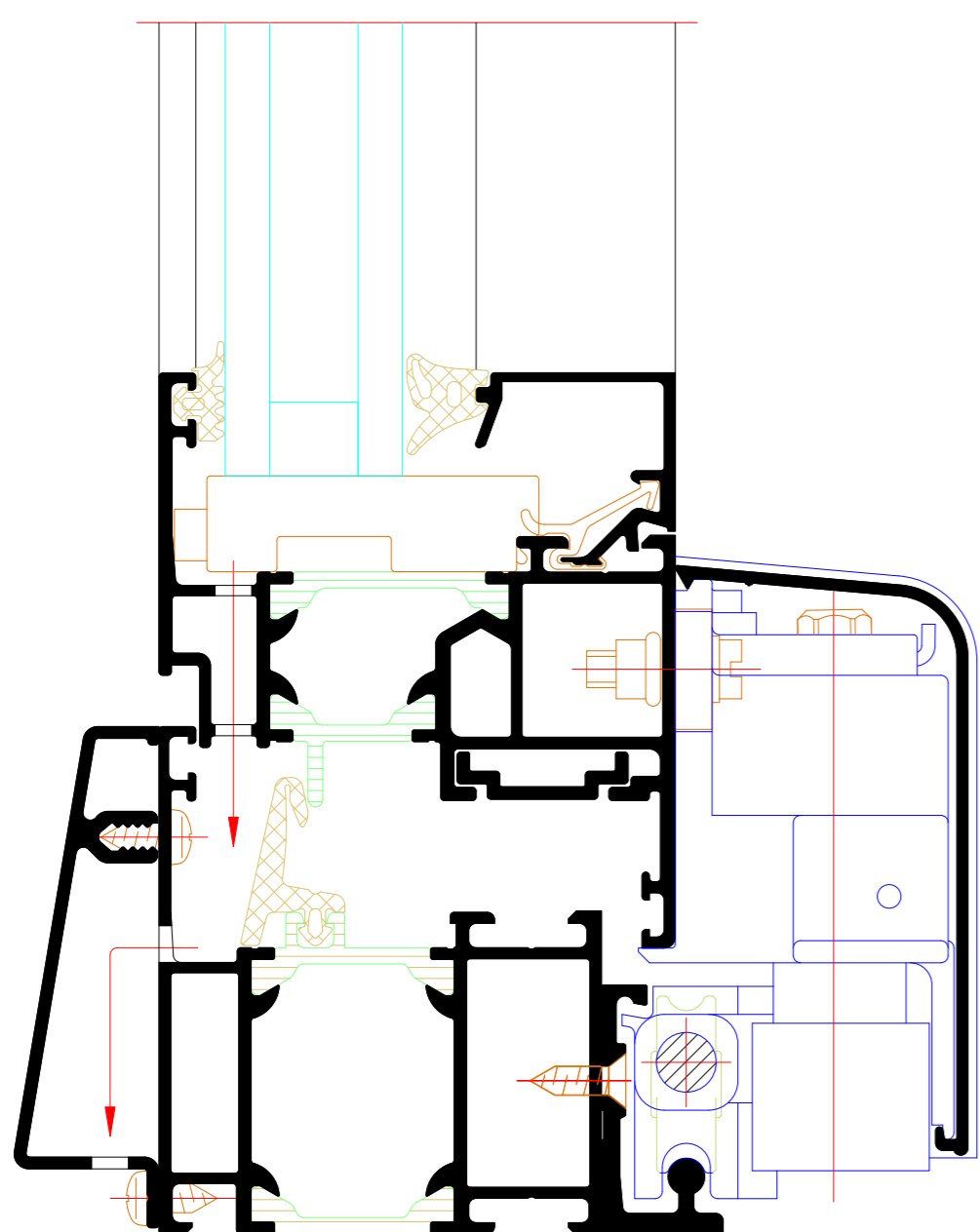
A



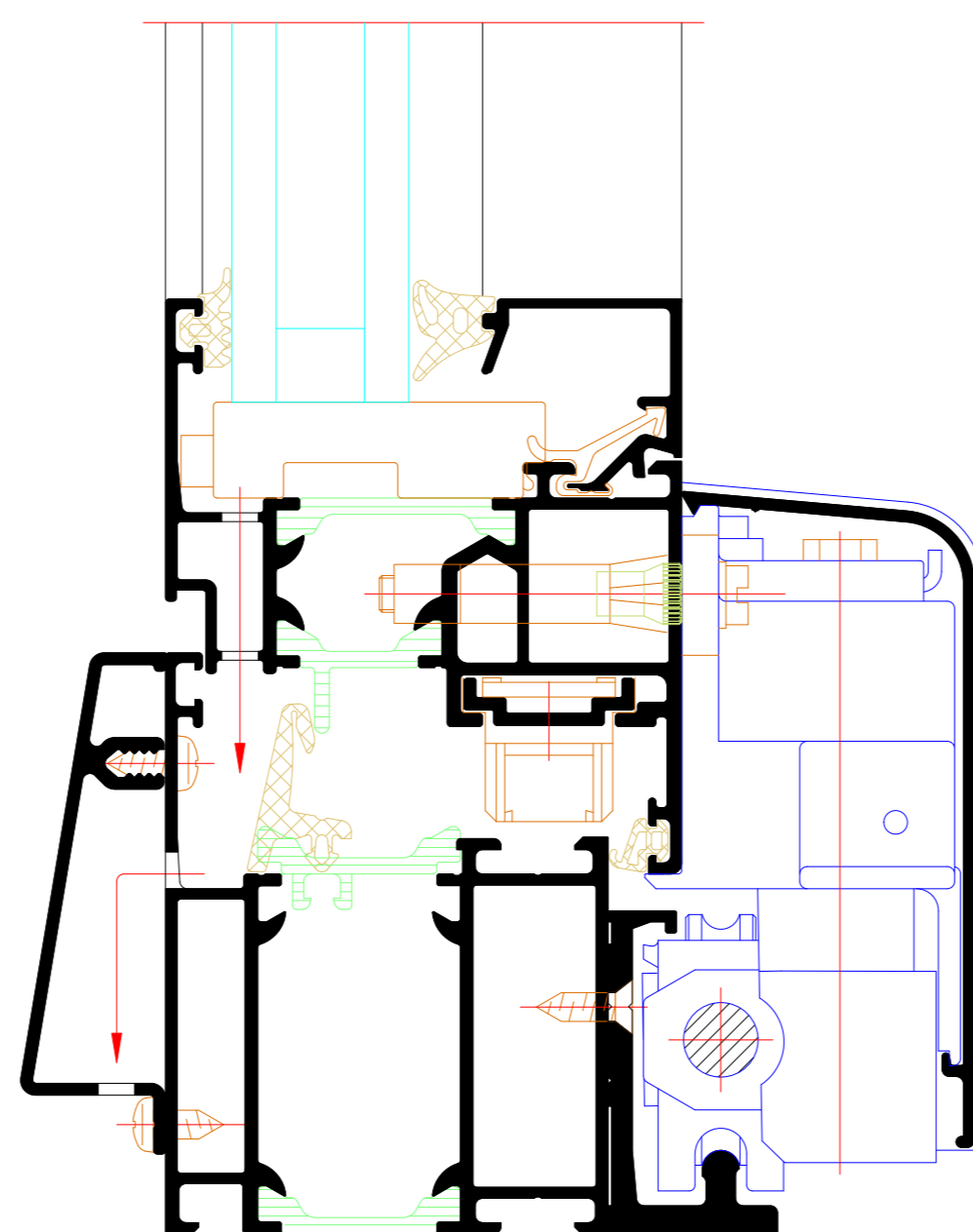
B



Alternative
Alternative



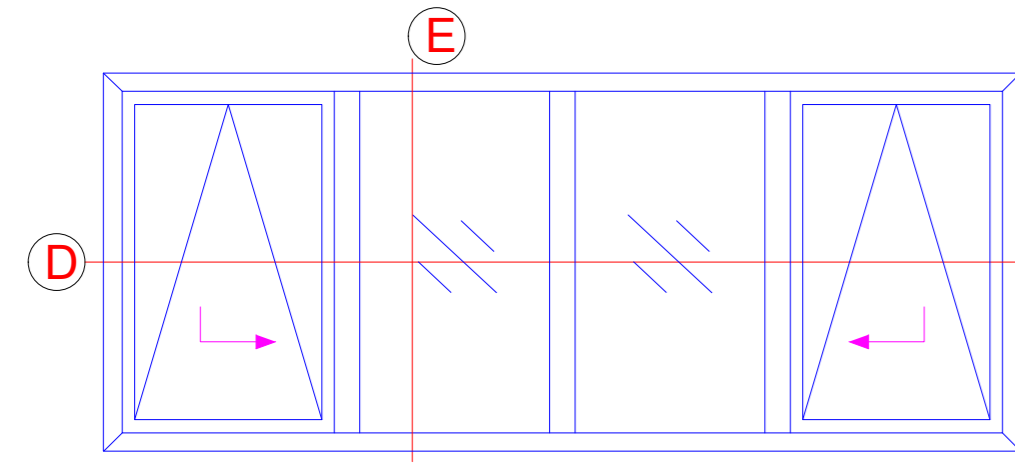
150 kg



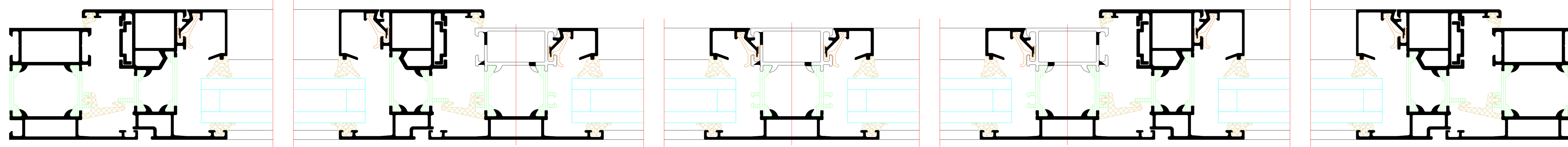
150-180kg
180-250kg

INDEX	DATE	ÄNDERUNG	GEZEICHNET	GEPRÜFT	
INDEX	DATE	CHANGE	DESIGNED BY	CHECKED BY	
PLANWALD					
PLAN CORRECT					
PROJECT					
Riva Elementenschnitte				PROJECT NR.	
Riva Unit section details				PROJECT IN.	
Fenster RIVA AWS 60 PASK					
Window RIVA AWS 60 Tilt/Slide					
BAUHERR					
CLIENT					
PLANVERFASSER					
PLANNER					
BENEDICT + RIVA					
BENEDICT + RIVA GmbH					
Rödelstrasse 19					
04259 Leipzig, Germany					
ANSPRECHPARTNER	STATUS	PLANNUMMER	MASSSTAB	GEZEICHNET	GEPRÜFT
CONTACT PERSON	STATUS	FORMAT	SCALE	DESIGNED BY	CHECKED BY
		DRW-41		8.216	814
PLANNUMMER					
DOCUMENT NUMBER					

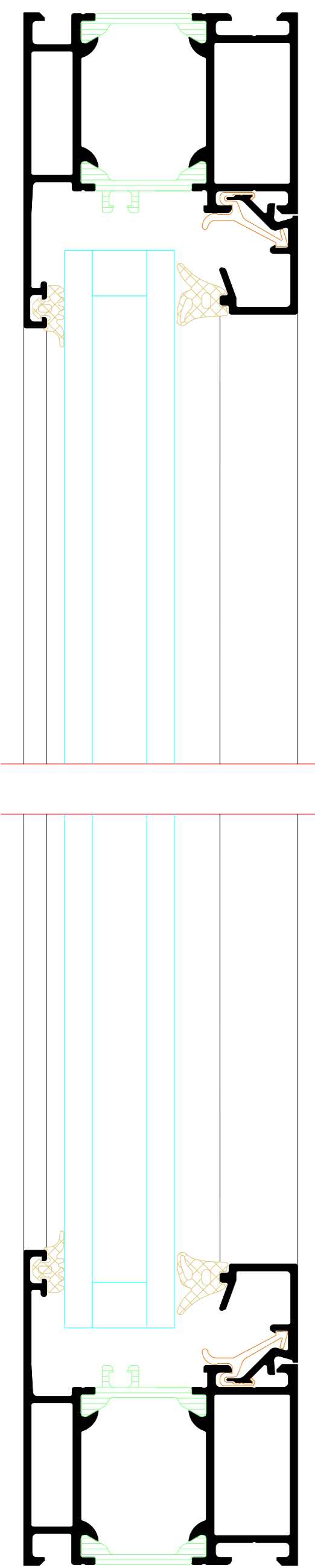
Typ 3
Type 3



D



E



NO.	DATE	DESCRIPTION	DESIGNED BY	CHECKED BY
001	01.10.2018	Riva Elementschelle	BENEDICT + RIVA	BENEDICT + RIVA
002	02.10.2018	Riva LSI section details	BENEDICT + RIVA	BENEDICT + RIVA
003	03.10.2018	Fenster RIVA AWS 60 PASK	BENEDICT + RIVA	BENEDICT + RIVA
004	04.10.2018	Window RIVA AWS 60 TIS/SL	BENEDICT + RIVA	BENEDICT + RIVA

BENEDICT + RIVA
BENEDICT + RIVA GmbH
Hauptstraße 14
42699 Solingen, Germany

