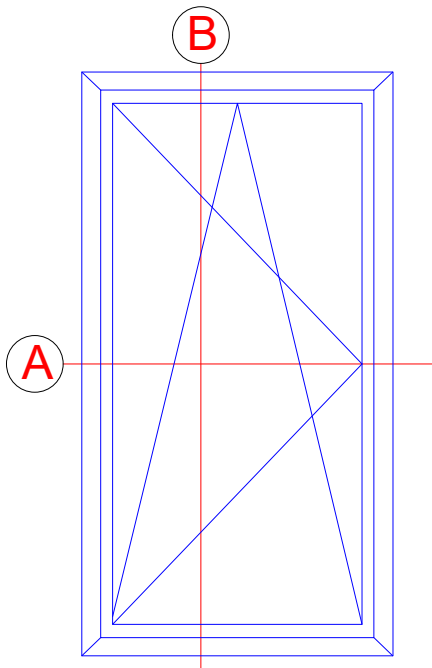
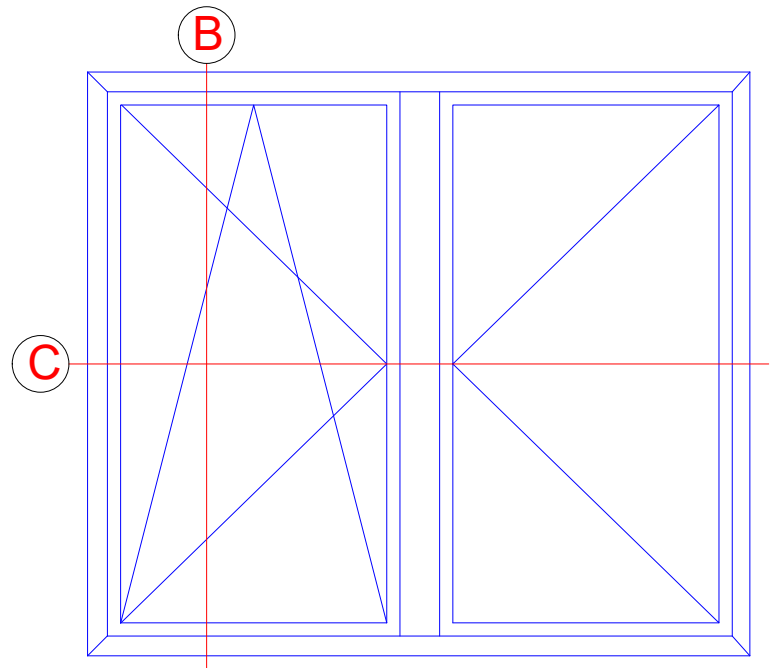


Einflügelige Fenstertür
Single-vent window door



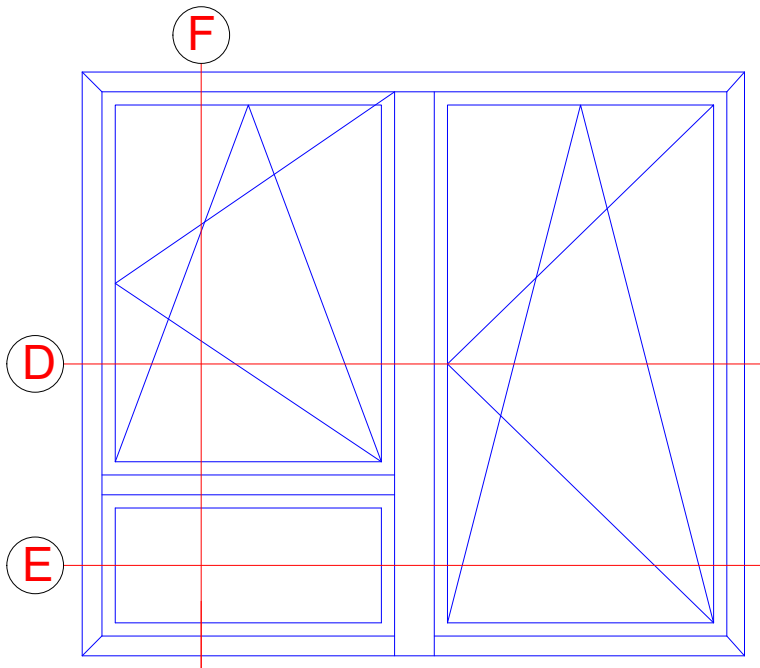
Zweiflügelige Fenstertür mit Stulp
Double-vent window door with meeting stile



INDEX	DATUM	ÄNDERUNG	GEZEICHNET	GEPRÜFT
INDEX	DATE	CHANGE	DESIGNED BY	CHECKED BY
PLANINHALT PLAN CONTENT				DATUM DATE
Riva Elementbeispiele Riva Unit examples				
PROJEKT PROJECT				PROJEKT NR. PROJECT NR.
Fenster RIVA AWS 65 Barrierefrei Window RIVA AWS 65 easy access				
BAUHERR CLIENT				
-				
PLANVERFASSER PLANNER				
BENEDICT + RIVA			BENEDICT + RIVA GmbH Rödelstrasse 13 04229 Leipzig, Germany	
ANSPRECHPARTNER CONTACT PERSON		Matthias Anderle		
PLANART PLANNING TYPE	STATUS STATUS	PLANFORMAT FORMAT	MAßSTAB SCALE	GEZEICHNET DESIGNED BY
-	-	DIN A4	-	B.J.Ni
PLANNUMMER DOCUMENT NUMBER				
-				

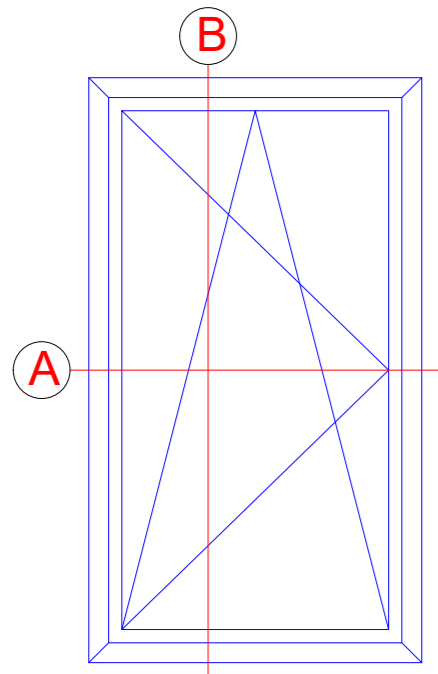
Zweiflügelige Fenstertür mit Unterlicht

Double-vent window door with bottom light

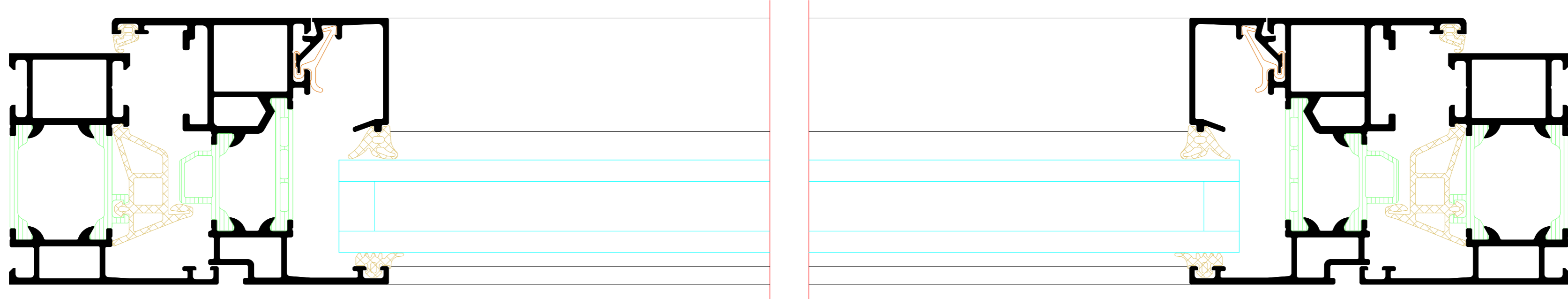


INDEX	DATUM	ÄNDERUNG	GEZEICHNET	GEPRÜFT	
INDEX	DATE	CHANGE	DESIGNED BY	CHECKED BY	
-	-	-	-	-	
PLANINHALT PLAN CONTENT				DATUM DATE	
Riva Elementbeispiele Riva Unit examples					
PROJEKT PROJECT				PROJEKT NR. PROJECT NR.	
Fenster RIVA AWS 65 Barrierefrei Window RIVA AWS 65 easy access					
BAUHERR CLIENT					
-					
PLANVERFASSER PLANNER					
BENEDICT + RIVA			BENEDICT + RIVA GmbH Rödelstrasse 13 04229 Leipzig, Germany		
ANSPRECHPARTNER CONTACT PERSON		Matthias Anderle			
PLANART PLANNING TYPE	STATUS STATUS	PLANFORMAT FORMAT	MAßSTAB SCALE	GEZEICHNET DESIGNED BY	GEPRÜFT CHECKED BY
-	-	DIN A4	-	B.J.Ni	M.A.
PLANNUMMER DOCUMENT NUMBER					
-					

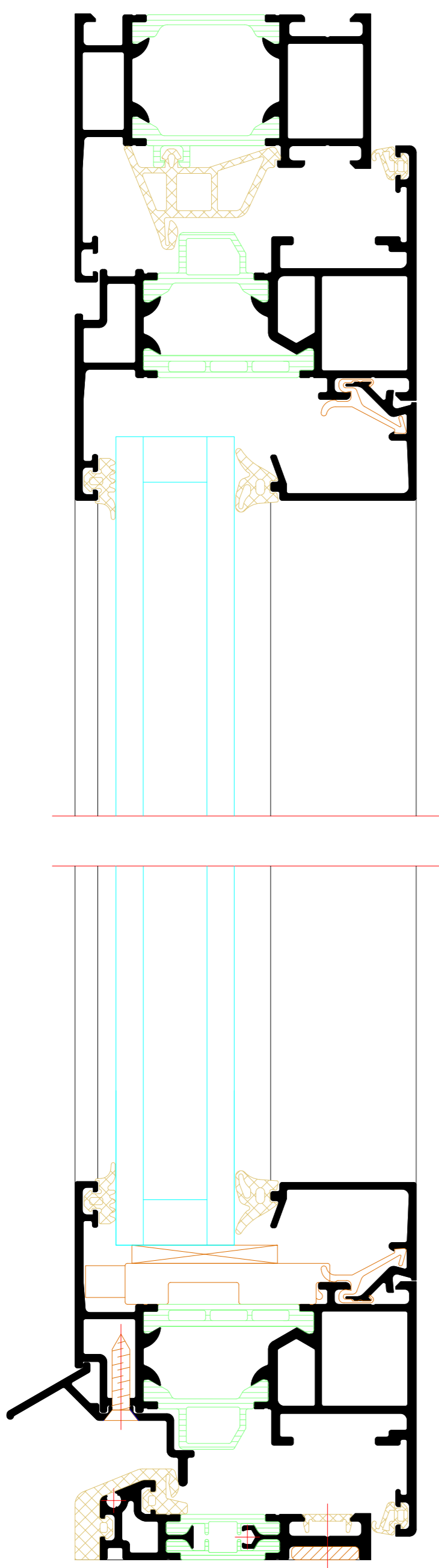
Einflügelige Fenstertür
Single-vent window door



A



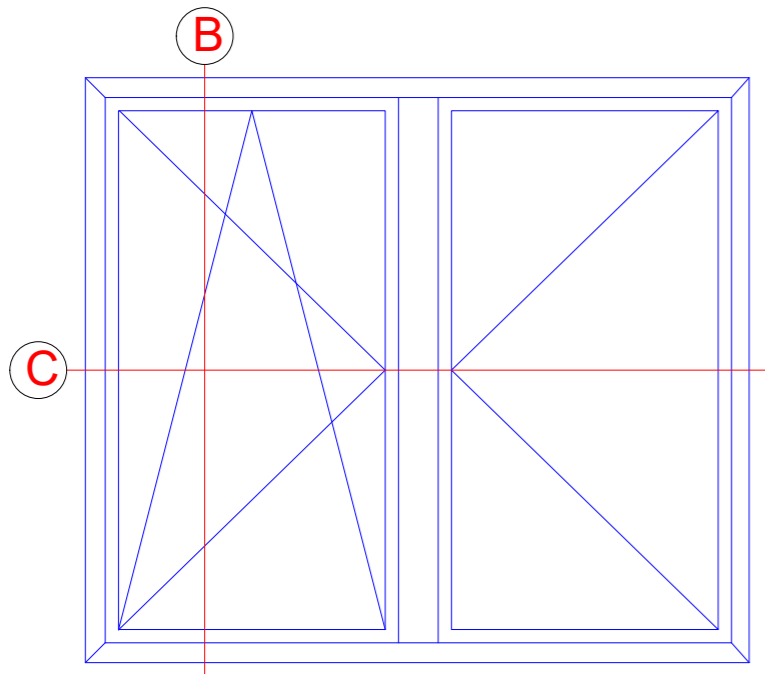
B



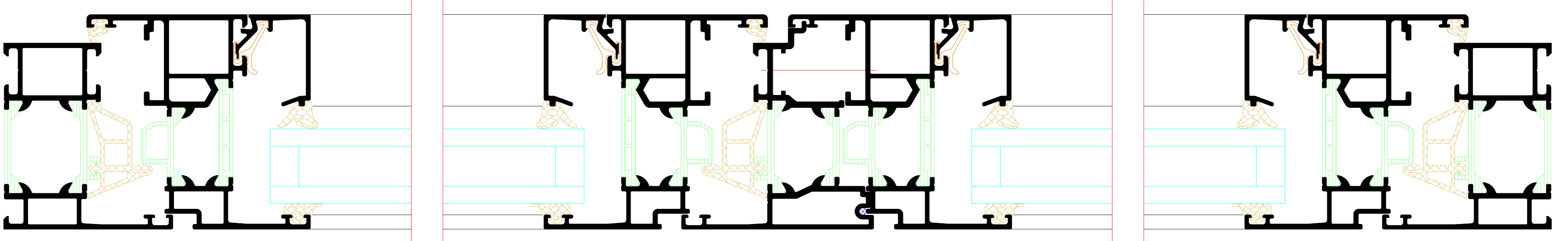
BENEDICT
+ RIVA

INDEX	DATE	ÄNDERUNG	GEZEICHNET	GEPRÜFT
INDEX	DATE	CHANGE	DESIGNED BY	CHECKED BY
PLANWISSEL				
PLAN CORRECT				
Riva Elementschnitte				
Riva Unit section details				
PROJEKT				PROJEKT NR.
PROJECT				PROJECT NO.
Fenster RIVA AWS 65 Barrierefrei				
Window RIVA AWS 65 easy access				
BAUHERR				
CLIENT				
PLANVERFASSER				
PLANNER				
BENEDICT + RIVA				
BENEDICT + RIVA GmbH				
Röselstrasse 19				
04259 Leipzig, Germany				
ANSPRECHPARTNER				
CONTACT PERSON				
PLANART	STATUS	PLANFORMAT	MASSE/AB	GEZEICHNET
PLANNING TYPE	STATUS	FORMAT	SCALE	DESIGNED BY
		(DIN A1)		DATE
PLANNUMMER				GEPRÜFT
DOCUMENT NUMBER				CHECKED BY
				DATE

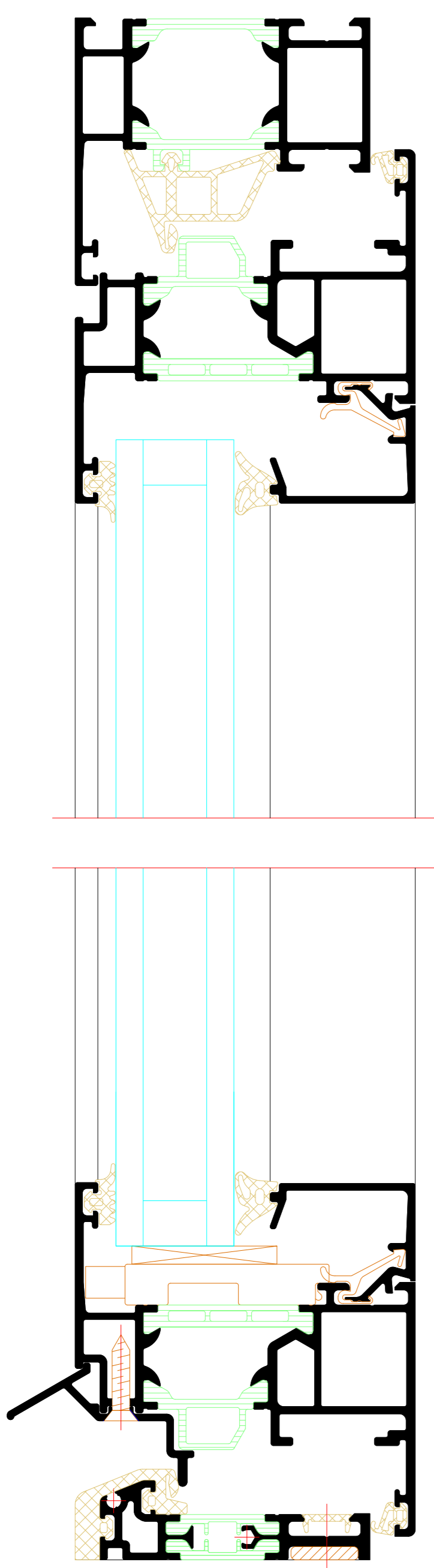
Zweiflügelige Fenstertür mit Stulp
 Double-vent window door with meeting stile



C

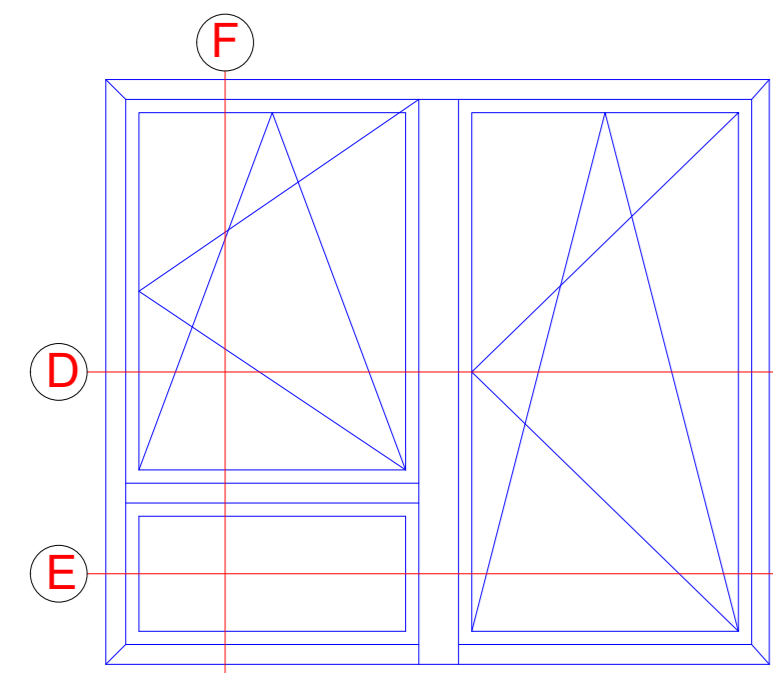


B

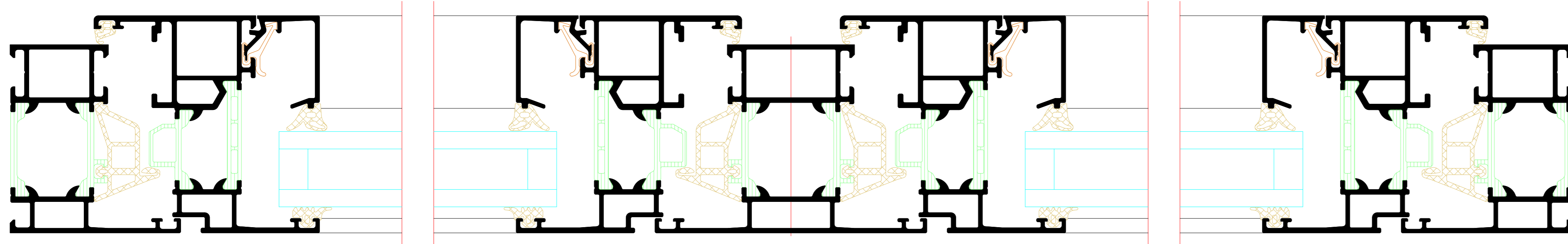


INDEX	DATUM	ÄNDERUNG	GEZEICHNET	GEPRÜFT
INDEX	DATE	CHANGE	DESIGNED BY	CHECKED BY
PLANNING				
PLAN CONTENT				
Riva Elementschritte				
Riva Unit section details				
PROJECT				PROJECT NR.
Fenster RIVA AWS 65 Barrierefrei				
Window RIVA AWS 65 easy access				
BAUHER				PROJECT NR.
CLIENT				
PLANNING				
PLANNING				
CONTACT PERSON				
PLANNING				
PLANNING TYPE				
STATUS				
PLANNING				
FORMAT				
SCALE				
DESIGNED BY				
CHECKED BY				
PLANNING				
DOCUMENT NUMBER				

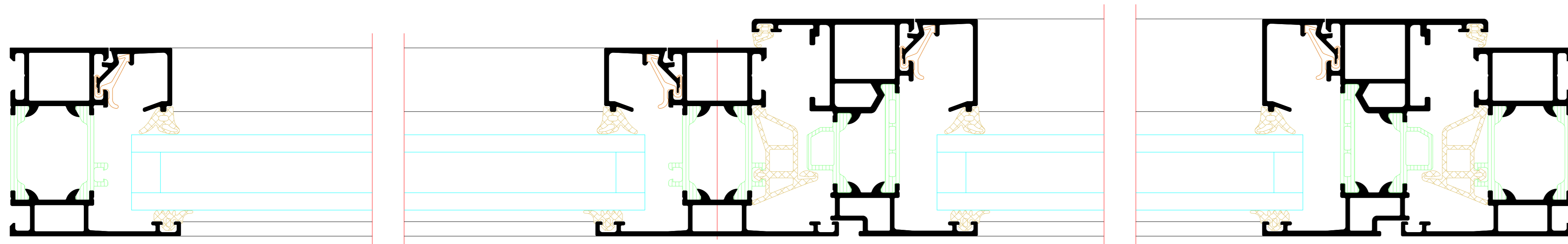
Zweiflügelige Fenstertür mit Unterlicht
 Double-vent window door with bottom light



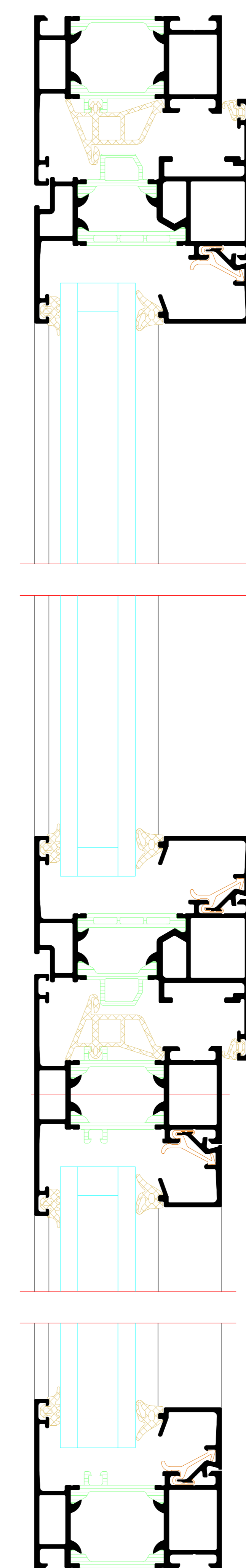
D



E



F



NO.	DATE	REVISION	REVISION BY	REVISION NO.
001	01.10.2018	01	01	01
RIVA Elementschritte Riva Unit section details				
Fenster RIVA AWS 65 Barrierefrei Window RIVA AWS 65 easy access				
BENEDICT + RIVA RIVA Elementschritte Riva Unit section details				
BENEDICT + RIVA GmbH Hauptstrasse 19 02699 Leipzig, Germany				