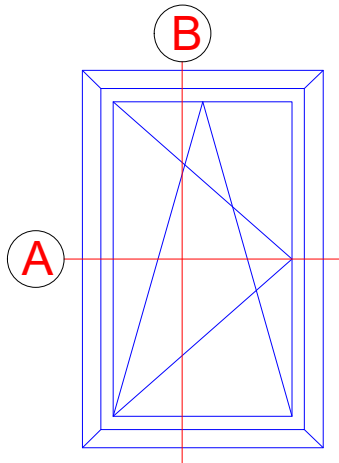


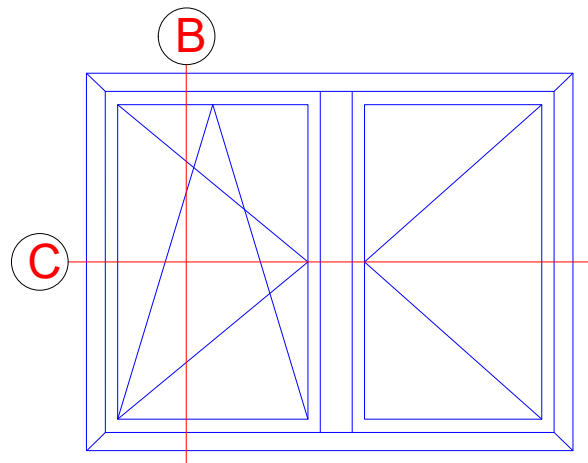
Einflügeliges Fenster

Single-vent window



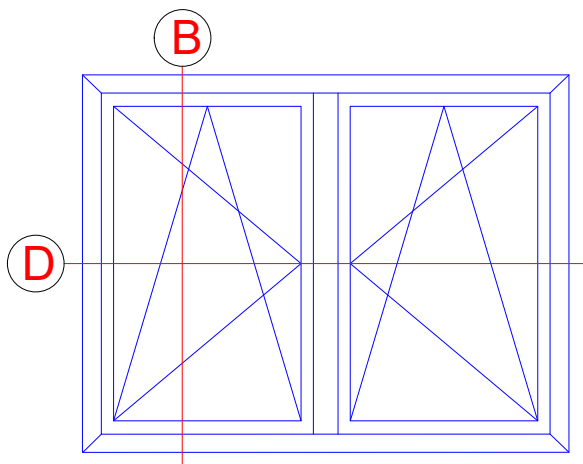
Stulpfenster

Double-vent window



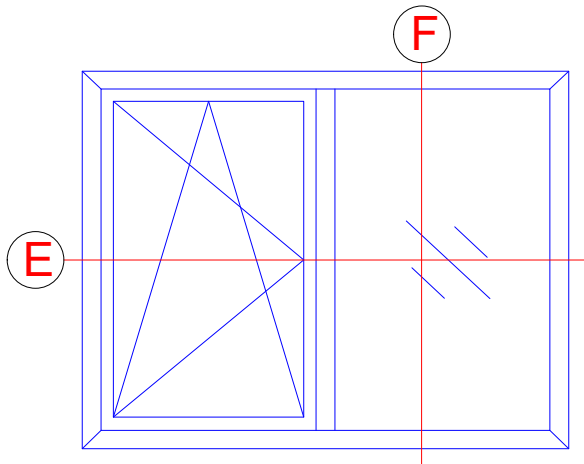
Zweiflügeliges Fenster

Double-vent window

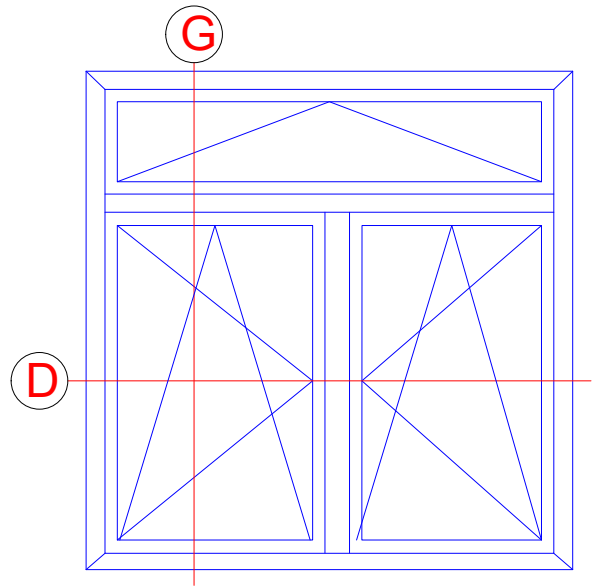


INDEX	DATUM	ÄNDERUNG	GEZEICHNET	GEPRÜFT
INDEX	DATE	CHANGE	DESIGNED BY	CHECKED BY
PLANINHALT PLAN CONTENT				DATUM DATE
Riva Elementbeispiele Riva Unit examples				
PROJEKT PROJECT				PROJEKT NR. PROJECT NR.
Riva Fenster AWS 65 Innen öffnend Riva Window AWS 65 inward opening				
BAUHERR CLIENT				
-				
PLANVERFASSER PLANNER				
<b>BENEDICT + RIVA</b>			<b>BENEDICT + RIVA GmbH</b> <b>Rödelstrasse 13</b> <b>04229 Leipzig, Germany</b>	
ANSPRECHPARTNER CONTACT PERSON		Matthias Anderle		
PLANART PLANNING TYPE	STATUS STATUS	PLANFORMAT FORMAT	MAßSTAB SCALE	GEZEICHNET DESIGNED BY
-	-	DIN A4	-	B.J.Ni
PLANNUMMER DOCUMENT NUMBER				
-				

Einflügeliges Fenster mit Festfeld  
Single-vent window with fixed light



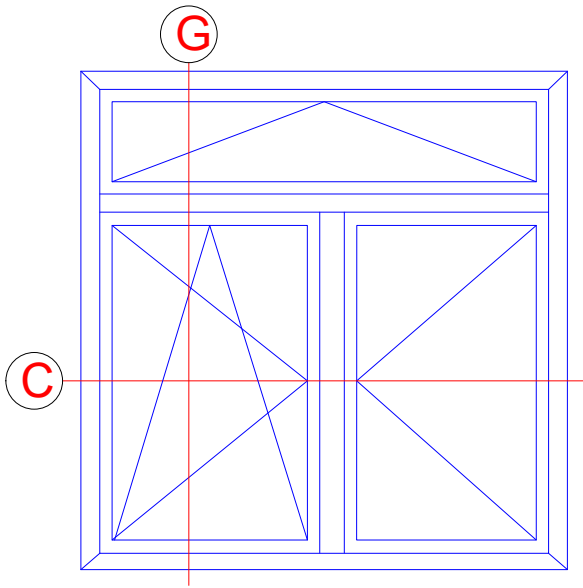
Zweiflügeliges Fenster mit Oberlicht  
Double-vent window with toplight



-	-	-	-	-
INDEX	DATUM	ÄNDERUNG	GEZEICHNET	GEPRÜFT
INDEX	DATE	CHANGE	DESIGNED BY	CHECKED BY
PLANINHALT				DATUM
PLAN CONTENT				DATE
Riva Elementbeispiele				
Riva Unit examples				
PROJEKT				PROJEKT NR.
PROJECT				PROJECT NR.
Riva Fenster AWS 65 Innen öffnend				
Riva Window AWS 65 inward opening				
BAUHERR				
CLIENT				
-				
PLANVERFASSER				
PLANNER				
<b>BENEDICT + RIVA</b>			<b>BENEDICT + RIVA GmbH</b>	
			Rödelstrasse 13	
			04229 Leipzig, Germany	
ANSPRECHPARTNER		Matthias Anderle		
CONTACT PERSON				
PLANART	STATUS	PLANFORMAT	MAßSTAB	GEZEICHNET
PLANNING TYPE	STATUS	FORMAT	SCALE	DESIGNED BY
-	-	DIN A4	-	B.J.Ni
PLANNUMMER		GEPRÜFT		
DOCUMENT NUMBER		CHECKED BY		
-		M.A.		

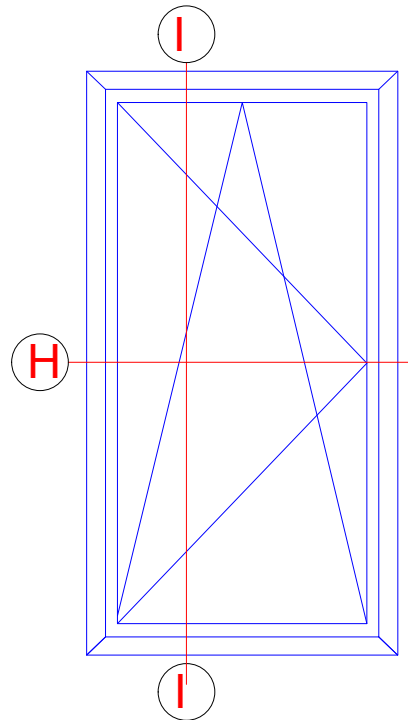
Stulpfenster mit Oberlicht

Double-vent window with toplight



Fenstertür

Window door



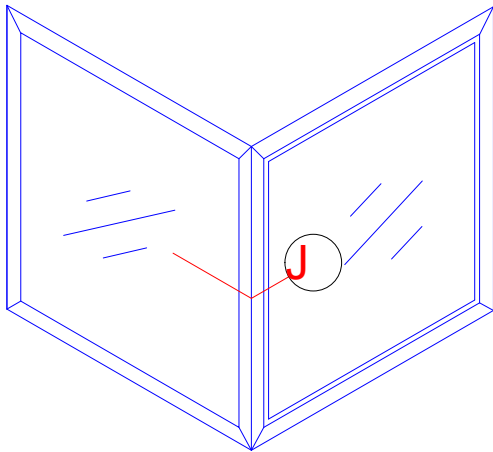
Einsatzelemente sind in Fassadensysteme zu finden

Insert units can be found in façade systems

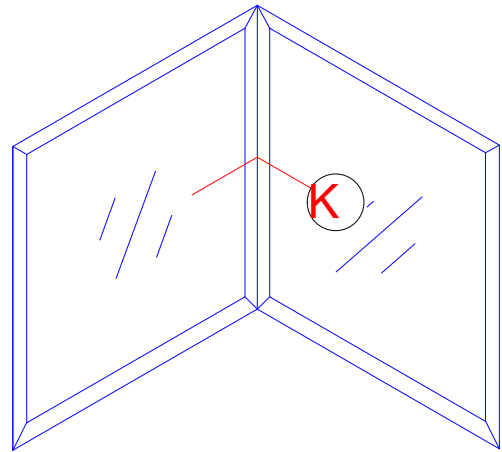


INDEX	DATUM	ÄNDERUNG	GEZEICHNET	GEPRÜFT
INDEX	DATE	CHANGE	DESIGNED BY	CHECKED BY
-	-	-	-	-
PLANINHALT PLAN CONTENT Riva Elementbeispiele Riva Unit examples				DATUM DATE
PROJEKT PROJECT Riva Fenster AWS 65 Innen öffnend Riva Window AWS 65 inward opening				PROJEKT NR. PROJECT NR.
BAUHERR CLIENT -				
PLANVERFASSER PLANNER <b>BENEDICT + RIVA</b>			BENEDICT + RIVA GmbH Rüdelstrasse 13 04229 Leipzig, Germany	
ANSPRECHPARTNER CONTACT PERSON Matthias Anderle				
PLANART PLANNING TYPE -	STATUS STATUS -	PLANFORMAT FORMAT DIN A4	MAßSTAB SCALE -	GEZEICHNET DESIGNED BY B.J.Ni
GEPRÜFT CHECKED BY M.A.				
PLANNUMMER DOCUMENT NUMBER -				

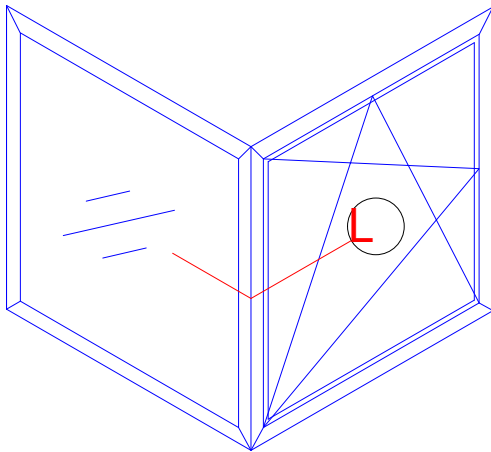
Außenecke 90°  
90° outer corner



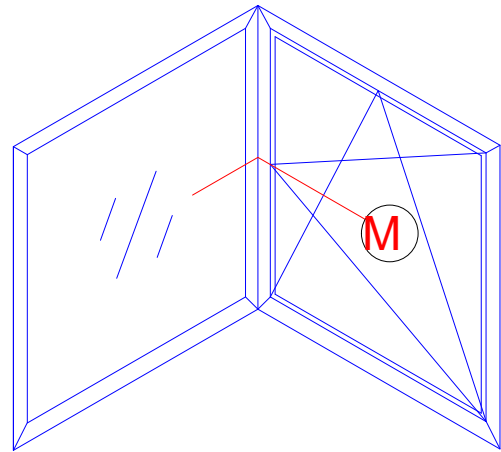
Innenecke 90°  
90° inner corner



Außenecke mit Öffnungselement  
Outer corner with opening unit



Innenecke mit Öffnungselement  
Inner corner with opening unit



-	-	-	-	-
INDEX	DATUM	ÄNDERUNG	GEZEICHNET	GEPRÜFT
INDEX	DATE	CHANGE	DESIGNED BY	CHECKED BY
PLANINHALT PLAN CONTENT				DATUM DATE
Riva Elementbeispiele Riva Unit examples				
PROJEKT PROJECT				PROJEKT NR. PROJECT NR.
Riva Fenster AWS 65 Innen öffnend Riva Window AWS 65 inward opening				
BAUHERR CLIENT				
-				
PLANVERFASSER PLANNER				
<b>BENEDICT + RIVA</b>			<b>BENEDICT + RIVA GmbH</b> Rüchelstrasse 13 04229 Leipzig, Germany	
ANSPRECHPARTNER CONTACT PERSON		Matthias Anderle		
PLANART PLANNING TYPE	STATUS STATUS	PLANFORMAT FORMAT	MAßSTAB SCALE	GEZEICHNET DESIGNED BY
-	-	DIN A4	-	B.J.Ni
PLANNUMMER DOCUMENT NUMBER				
-				

## Technische Informationen

### Technical information

#### Prüfungen und Normen \*

#### Tests and standards

Wärmedämmung nach DIN EN ISO 1077-2 Thermal insulation in accordance with DIN EN ISO 1077-2	$U_f = 1,9 - 2,5 \text{ W}/(\text{m}^2\text{K})$
Schalldämmung nach DIN EN ISO 140-3 Sound reduction in accordance with DIN EN ISO 140-3	bis $R_w$ 47 dB Up to $R_w$ 47 dB
Einbruchhemmung nach DIN V ENV 1627 (DIN EN 1627) Burglar resistance in accordance with DIN V ENV 1627 (DIN EN 1627)	Klasse WK3 (RC 3) Class WK3 (RC 3)
Luftdurchlässigkeit nach DIN EN 12207 Air permeability in accordance with DIN EN 12207	Klasse 4 Class 4
Schlagregendichtheit nach DIN EN 12208 Watertightness in accordance with DIN EN 12208	bis Klasse 9A Up to class 9A
Windlastwiderstand nach DIN EN 12210 ** Wind load resistance in accordance with DIN EN 12210	Klasse C5/B5 Class C5 / B5
Mechanische Beanspruchung nach DIN EN 13115 Mechanical loading in accordance with DIN EN 13115	Klasse 4 Class 4
Dauerfunktion nach DIN EN 12400 Durability in accordance with DIN EN 12400	Klasse 3 Class 3

\* Die Angaben beschreiben die Bestwerte des Gesamtsystems. Die Eigenschaften einer jeweils gewählten Ausführungsvariante oder Elementkombination sind im Einzelfall anhand der ausführlichen Prüfdokumentation zu bestimmen.

The information describes the optimum values of the entire system. The properties of a selected design option or unit combination have to be determined individually based on the comprehensive test documentation.

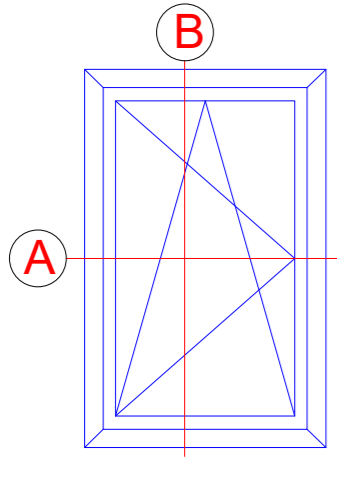
\*\* Durchbiegungsverhalten profilabhängig

The amount of deflection will depend on the profile

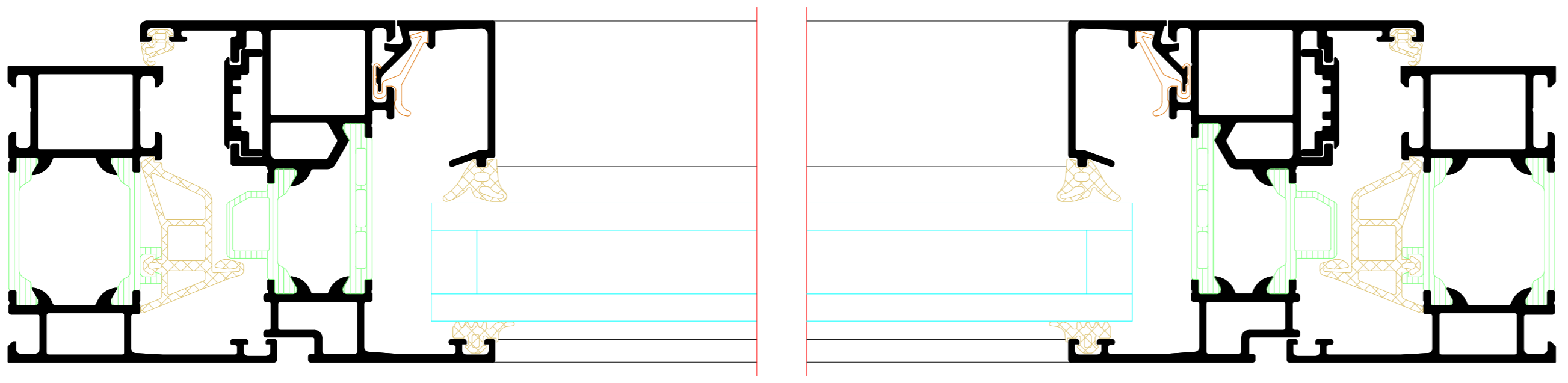
INDEX	DATUM	ÄNDERUNG	GEZEICHNET	GEPRÜFT
INDEX	DATE	CHANGE	DESIGNED BY	CHECKED BY
PLANINHALT PLAN CONTENT				DATUM DATE
Riva Technische Informationen Riva Technical information				
PROJEKT PROJECT				PROJEKT NR. PROJECT NR.
Riva Fenster AWS 65 Innen öffnend Riva Window AWS 65 inward opening				
BAUHERR CLIENT				
-				
PLANVERFASSER PLANNER				
<b>BENEDICT + RIVA</b>			<b>BENEDICT + RIVA GmbH</b> <b>Rödelstrasse 13</b> <b>04229 Leipzig, Germany</b>	
ANSPRECHPARTNER CONTACT PERSON		Matthias Anderle		
PLANART PLANNING TYPE	STATUS STATUS	PLANFORMAT FORMAT	MAßSTAB SCALE	GEZEICHNET DESIGNED BY
-	-	DIN A4	-	B.J.Ni
PLANNUMMER DOCUMENT NUMBER				
-				



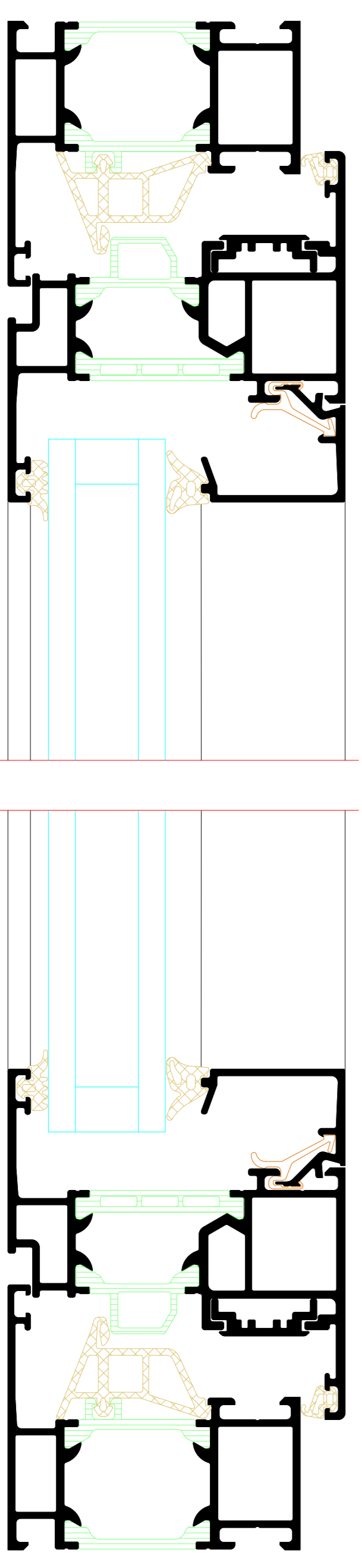
Einflügeliges Fenster  
Single-vent window



A



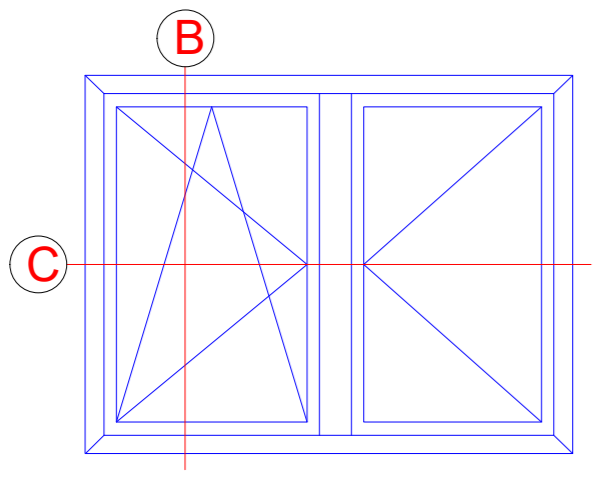
B



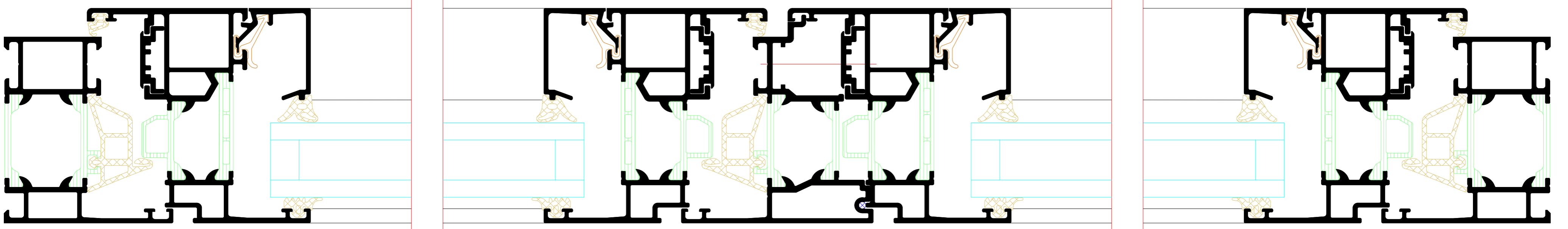
**BENEDICT**  
**+ RIVA**

INDEX	DATE	ÄNDERUNG	GEZEICHNET	GEPRÜFT
INDEX	DATE	CHANGE	DESIGNED BY	CHECKED BY
PLANWISSEL				
PLAN CONTENT			DATE	DATE
Riva Elementenschnitte				
Riva Unit section details				
PROJEKT				PROJEKT NR.
PROJECT				PROJECT NO.
Fenster RIVA AWS 65 Innen öffnend				
Window RIVA AWS 65 inward opening				
BAUHERR				
CLIENT				
PLANVERFASSER				
PLANNER				
BENEDICT + RIVA			BENEDICT + RIVA GmbH Röselstrasse 19 04229 Leipzig, Germany	
ANSPRECHPARTNER		Skizzen, Projekte		
CONTACT PERSON				
PLANART	STATUS	PLANFORMAT	MAßSTAB	GEZEICHNET
PLANNING TYPE	STATUS	FORMAT	SCALE	DESIGNED BY
		DWG		DATE
PLANNUMMER				GEPRÜFT
DOCUMENT NUMBER				CHECKED BY
				DATE

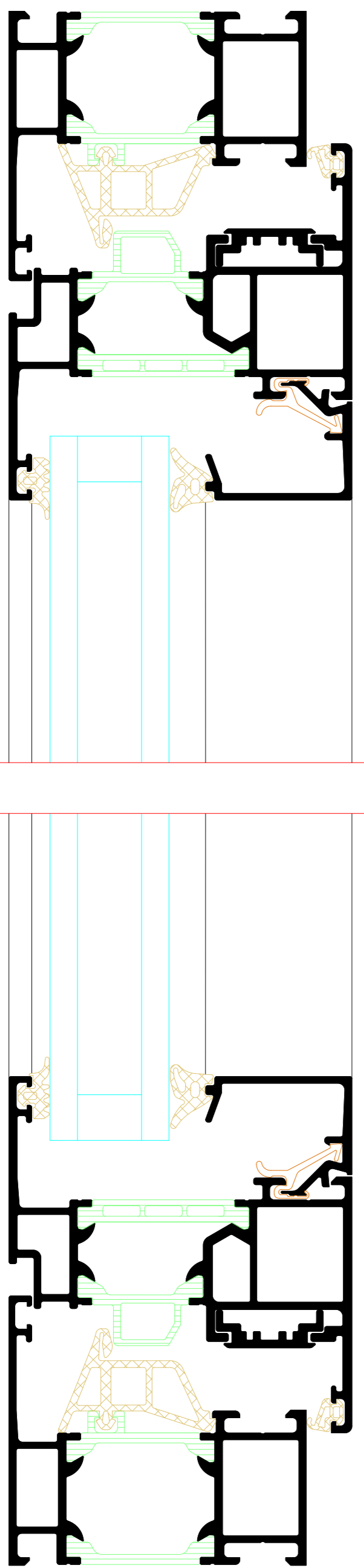
Stulpfenster  
Double-vent window



C



B



INDEX	DATE	ÄNDERUNG	GEZEICHNET	GEPRÜFT
INDEX	DATE	CHANGE	DESIGNED BY	CHECKED BY
PLANNING				
PLAN CONTENT				
Riva Elementschritte				
Riva Unit section details				
PROJECT				PROJECT NR.
Fenster RIVA AWS 65 Innen öffnend				
Window RIVA AWS 65 inward opening				
BAUHER				PROJECT NR.
CLIENT				
PLANNING				
PLANNING				
BENEDICT + RIVA		BENEDICT + RIVA GmbH		
		Rödelstrasse 15		
		04320 Leipzig, Germany		
ANSPRECHPARTNER		Technik Assistent		
CONTACT PERSON				
PLANNING				
PLANNING TYPE		STATUS	PLANNING	SCALE
		DATE	SCALE	DESIGNED BY
				CHECKED BY
PLANNING				
DOCUMENT NUMBER				

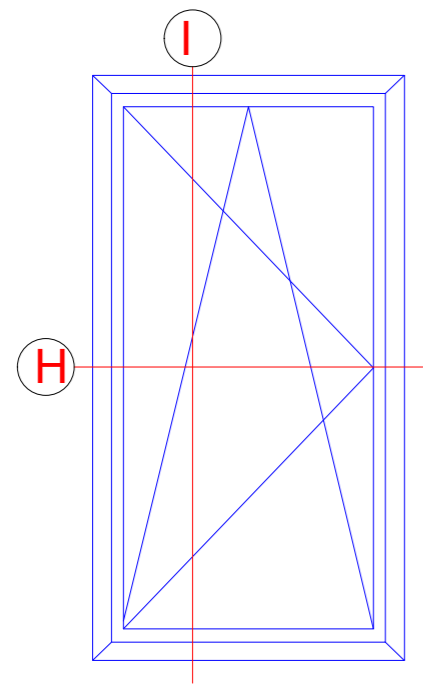




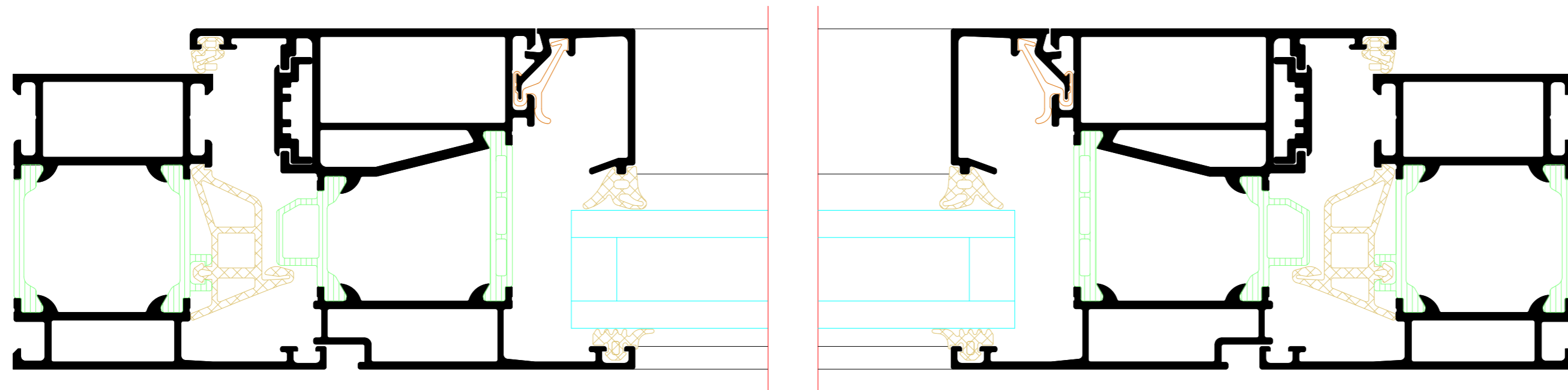




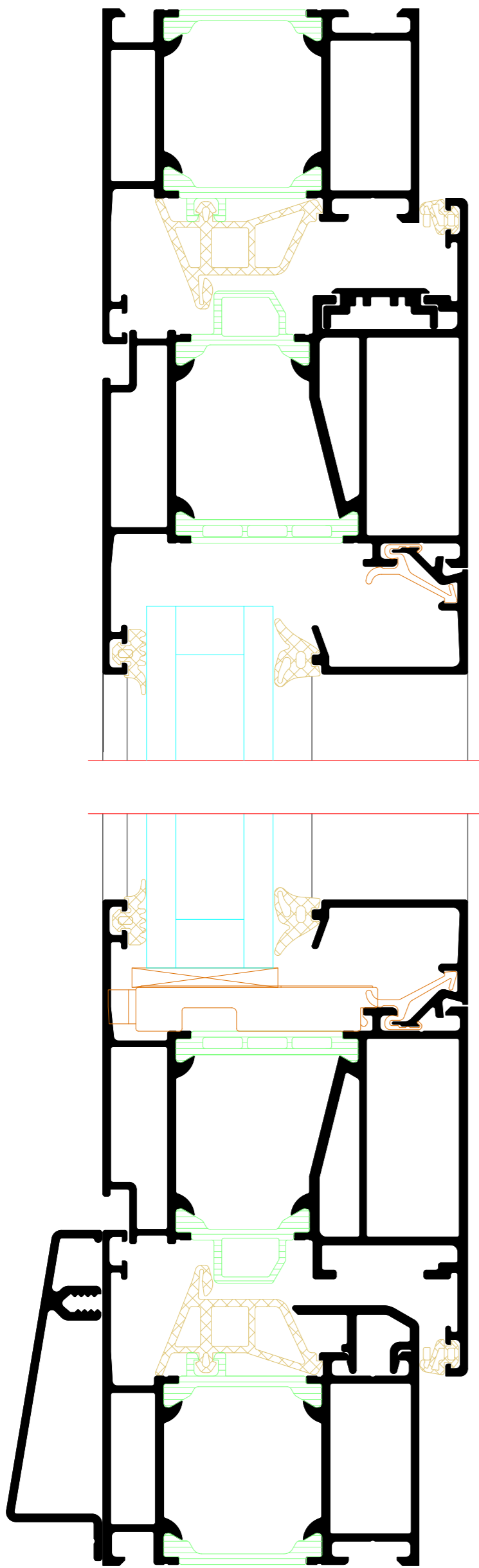
Fenstertür  
Window door



H



I

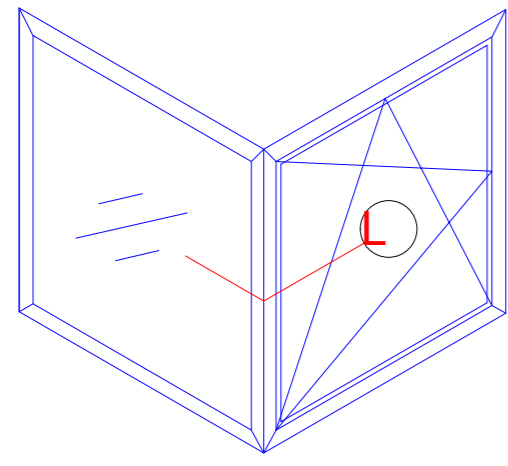


**BENEDICT**  
**+ RIVA**

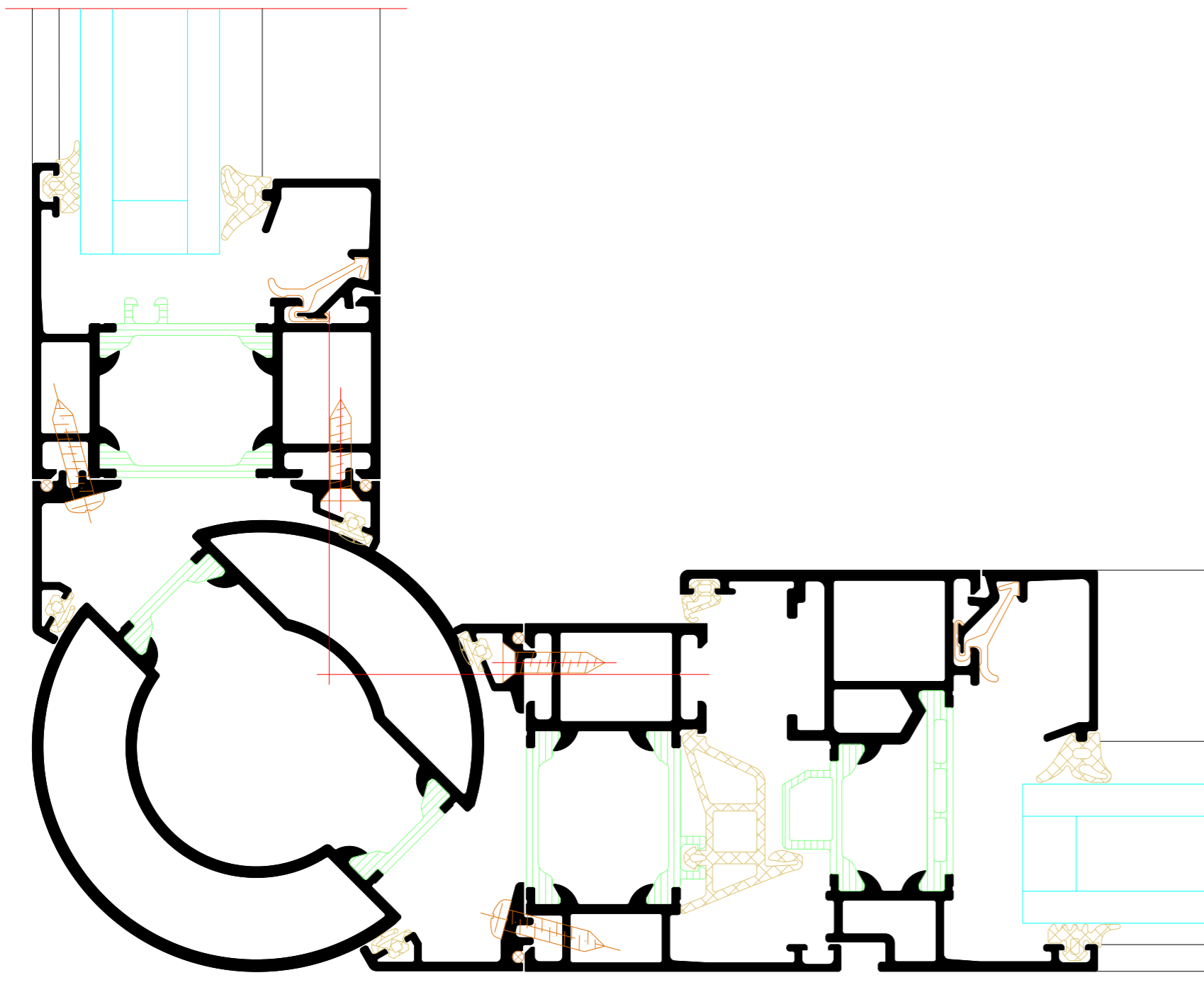
INDEX	DATE	ÄNDERUNG	GEZEICHNET	GEPRÜFT
INDEX	DATE	CHANGE	DESIGNED BY	CHECKED BY
PLANARZEICHNUNG				
PLAN CONCEPT				
Riva Elementschnitte				
Riva Unit section details				
PROJEKT				PROJEKT NR.
PROJECT				PROJECT NR.
Fenster RIVA AWS 65 innen öffnend				
Window RIVA AWS 65 inward opening				
BAUHER				
CLIENT				
PLANVERFASSER				
PLANNER				
BENEDICT + RIVA			BENEDICT + RIVA GmbH	
			Röschlestrasse 19	
			04329 Leipzig, Germany	
ANSPRECHPARTNER				
CONTACT PERSON				
PLANARZEICHNUNG	STATUS	PLANARZEICHNUNG	MASSSTAB	GEZEICHNET
PLANNING TYPE	STATUS	FORMAT	SCALE	DESIGNED BY
		DATE		CHECKED BY
PLANARZEICHNUNG				
DOCUMENT NUMBER				



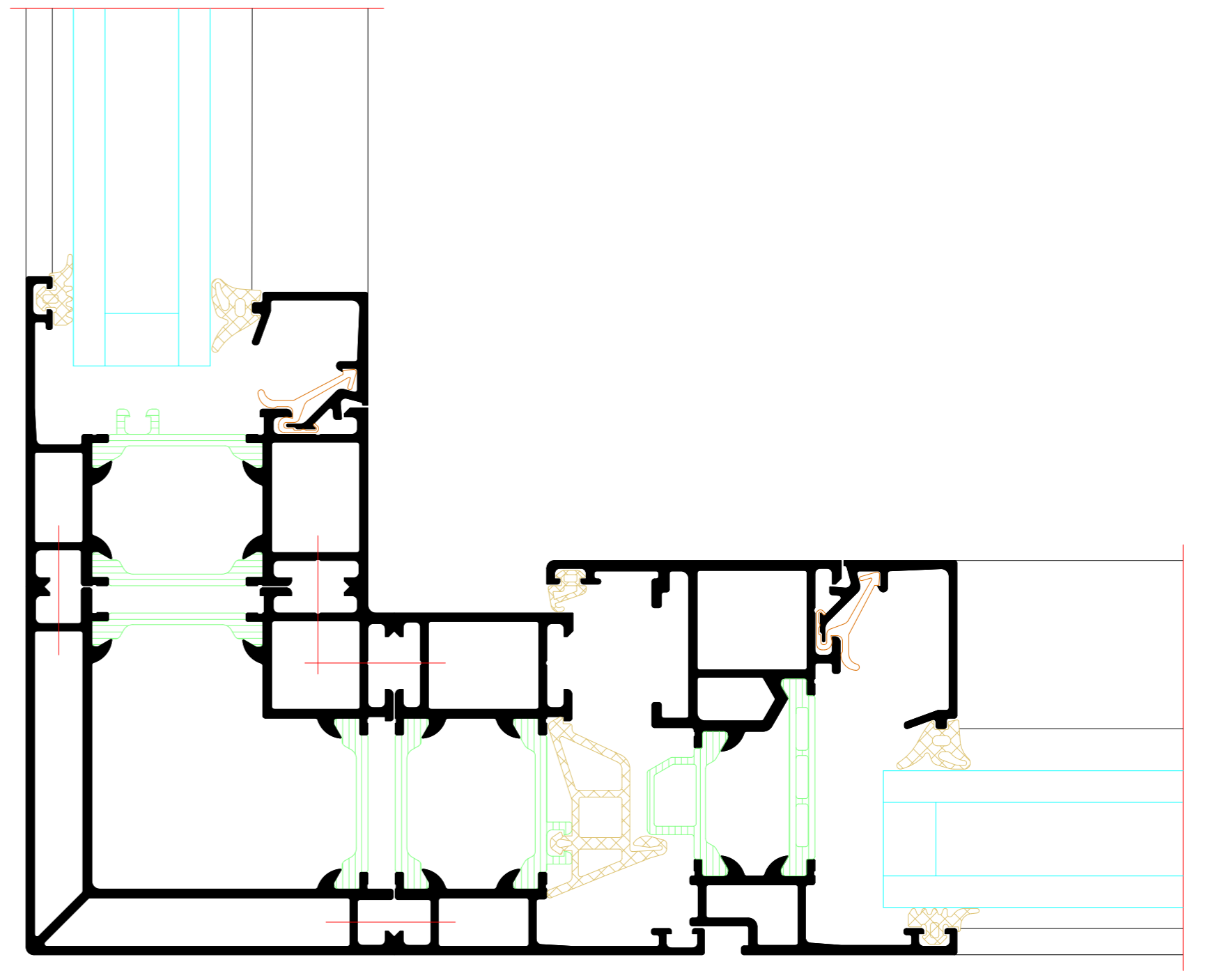
Außenecke mit Öffnungselement  
Outer corner with opening unit



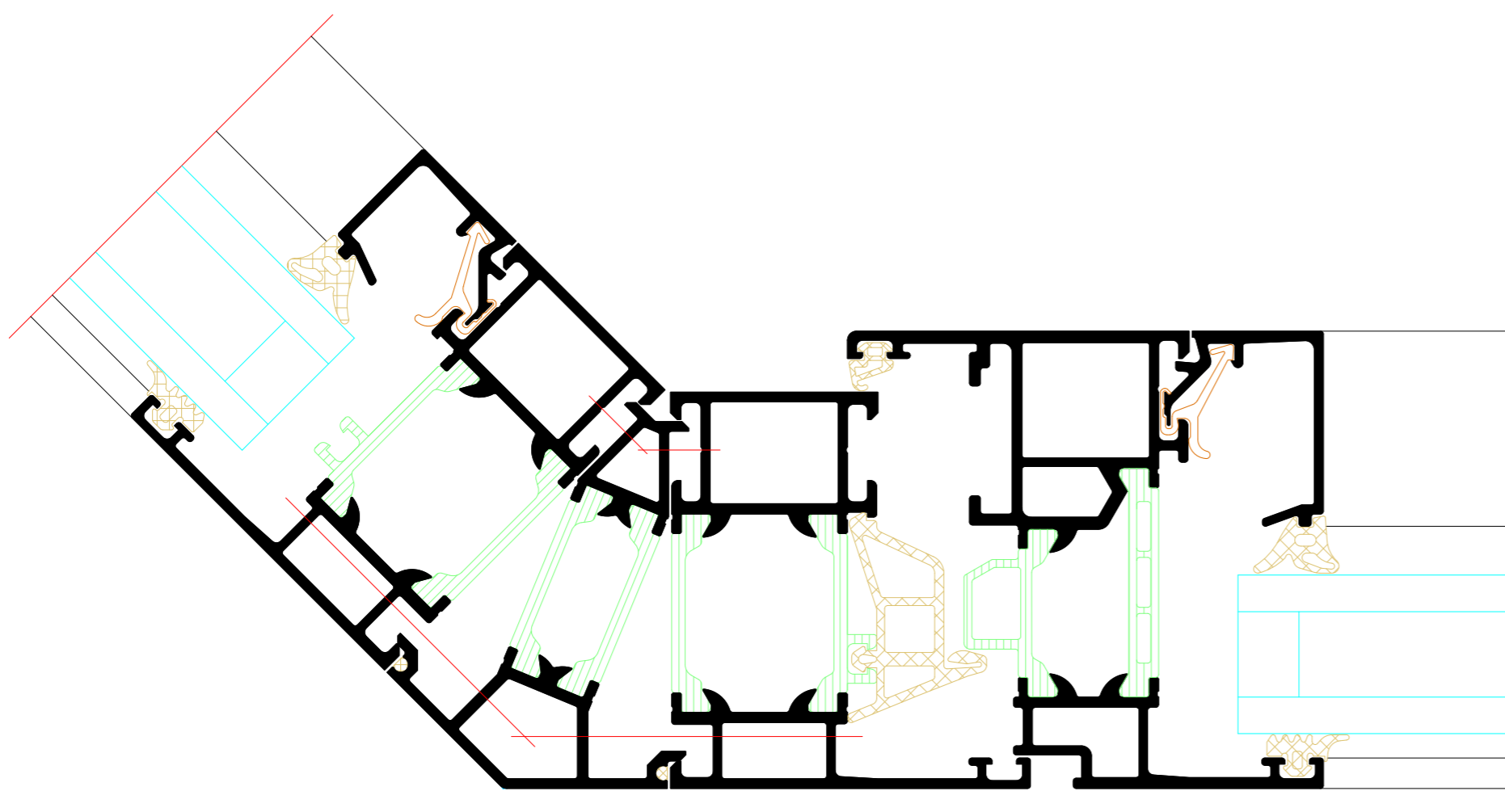
**L** 80°-170°



**L** 90°

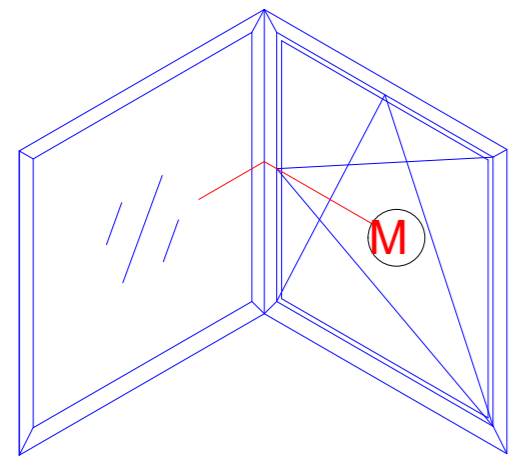


**L** 135°

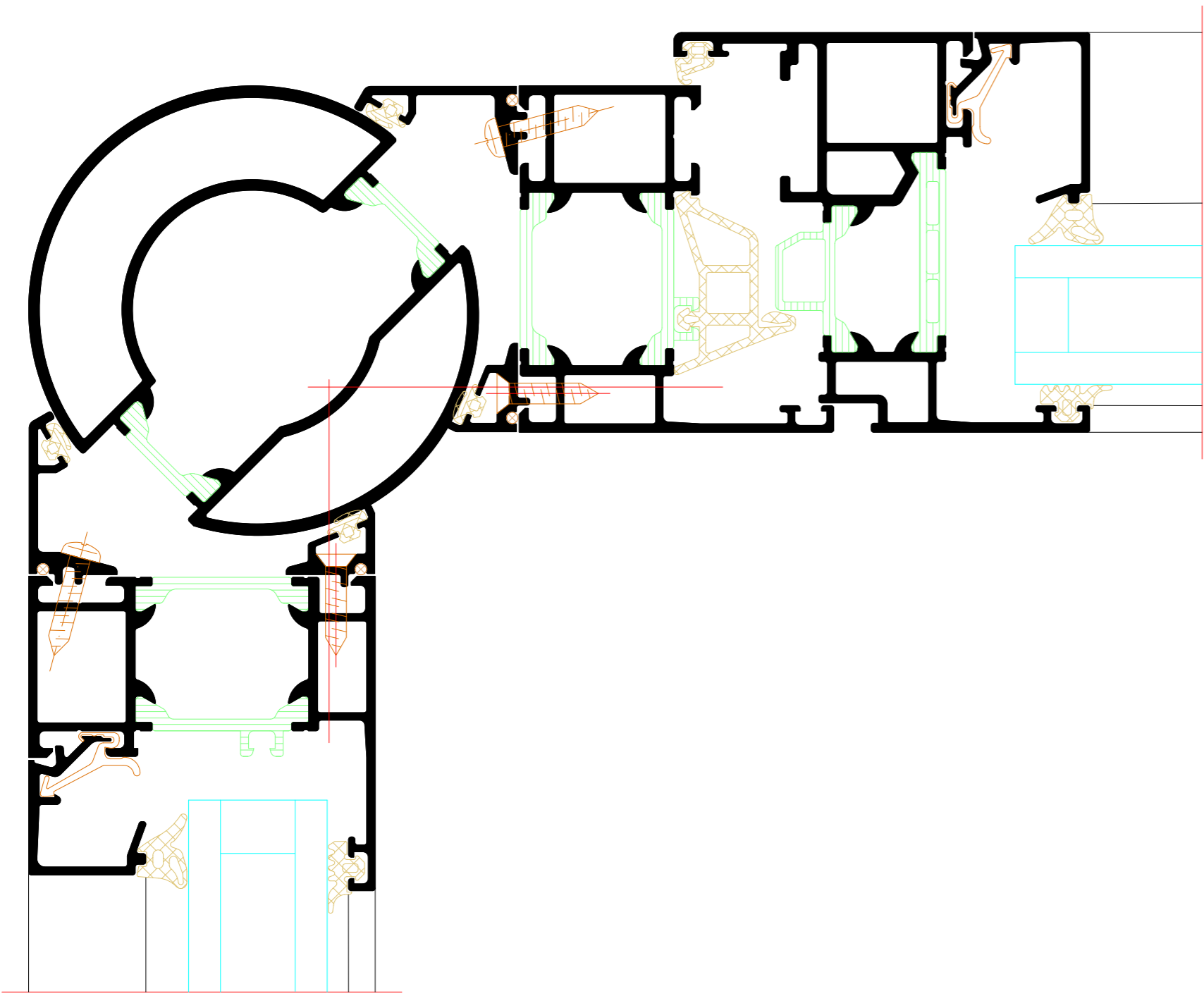


INDEX	DATE	DESCRIPTION	DESIGNED BY	CHECKED BY	
PLANNING					
PLANNING					
PROJECT					
Fenster RIVA AWS 65 Innen öffnend					
Window RIVA AWS 65 inward opening					
CLIENT					
PLANNER					
BENEDICT + RIVA					
BENEDICT + RIVA GmbH Rödelstraße 13 04229 Leipzig, Germany					
PLANNING	STATUS	PLANNING	SCALE	DESIGNED	CHECKED
PLANNING	STATUS	PLANNING	SCALE	DESIGNED	CHECKED
PLANNING	STATUS	PLANNING	SCALE	DESIGNED	CHECKED
PLANNING	STATUS	PLANNING	SCALE	DESIGNED	CHECKED

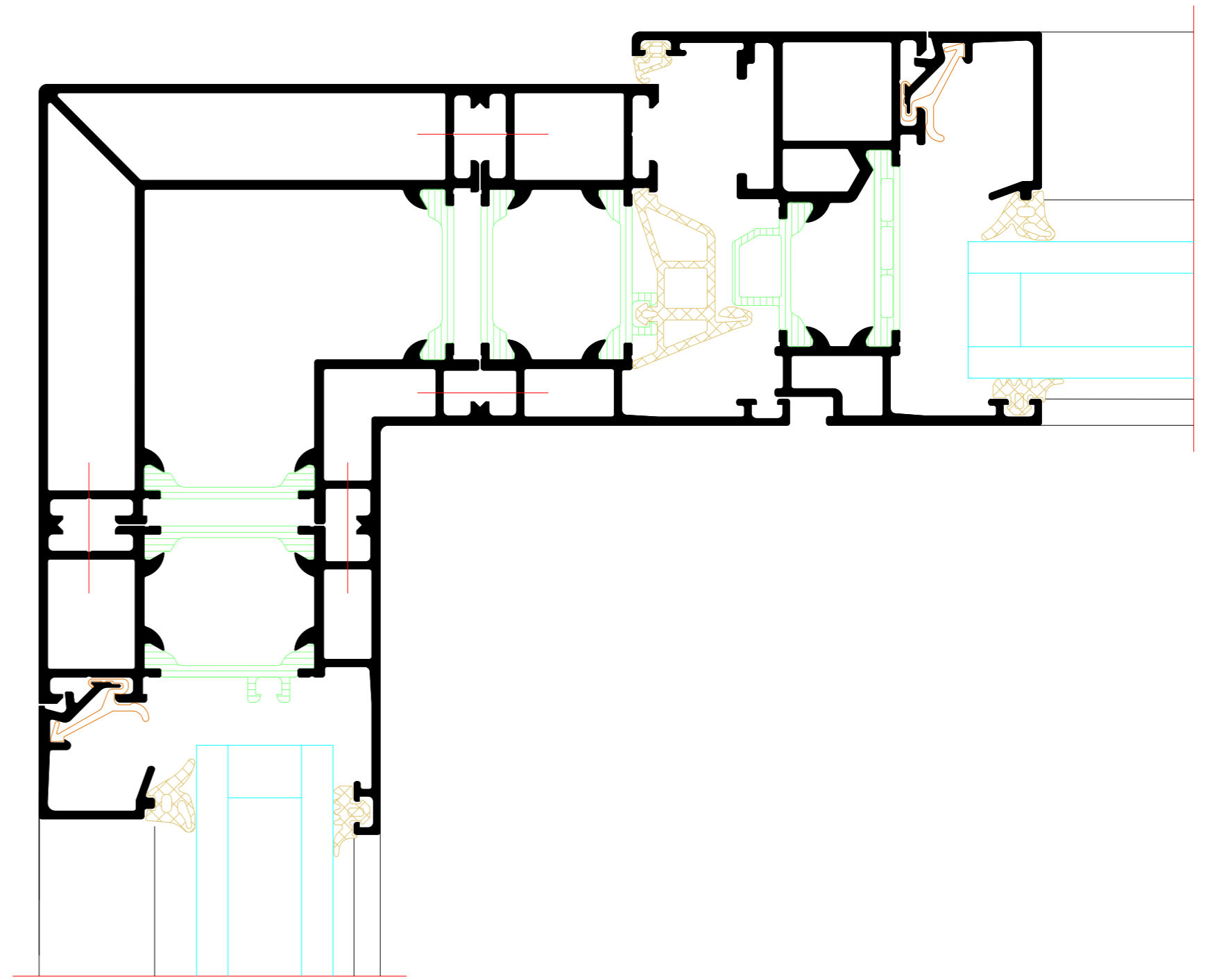
Innenecke mit Öffnungselement  
 Inner corner with opening unit



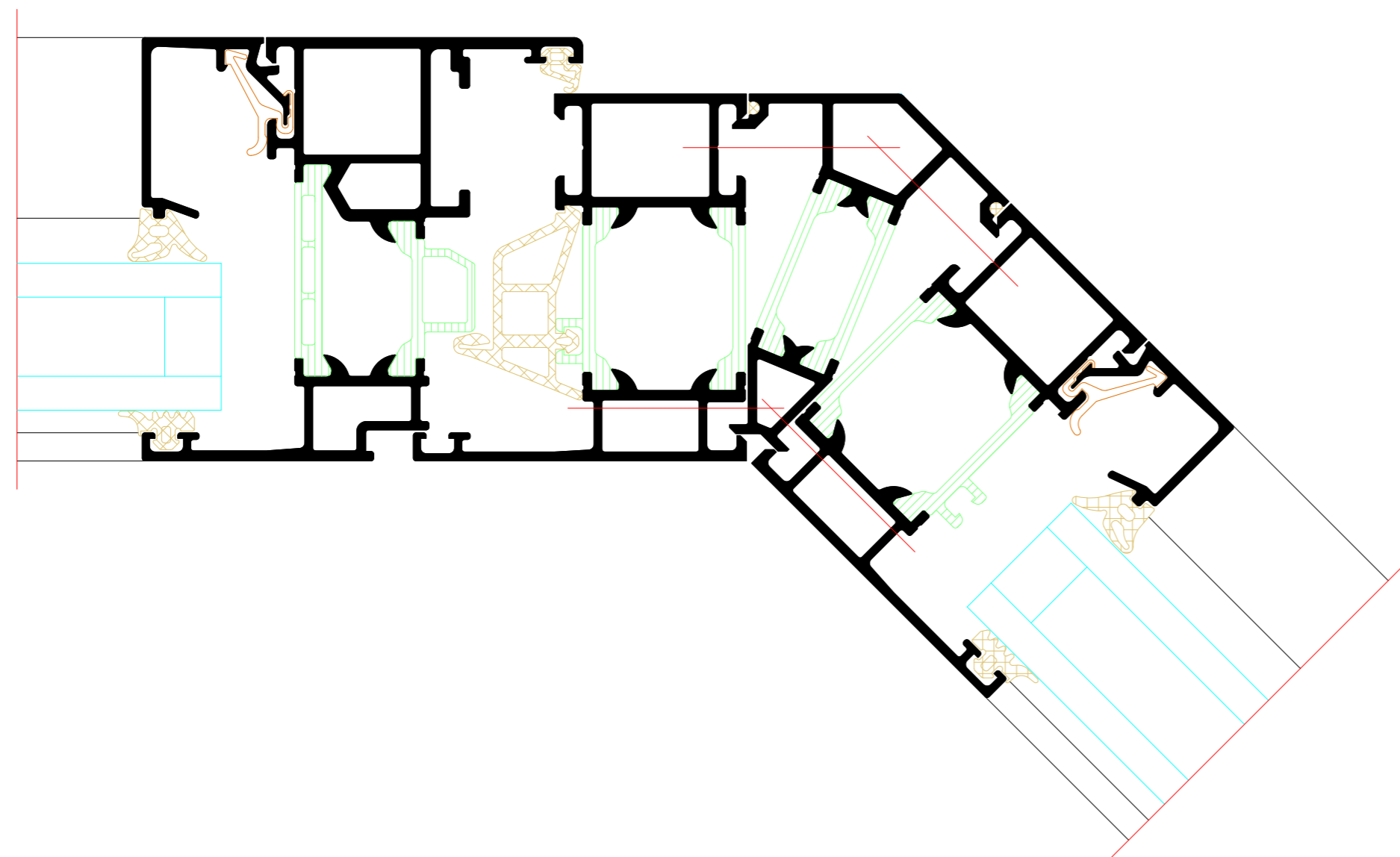
M 80°-170°



M 90°

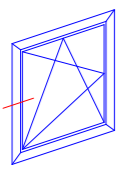


M 135°

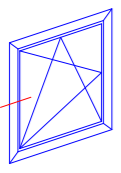
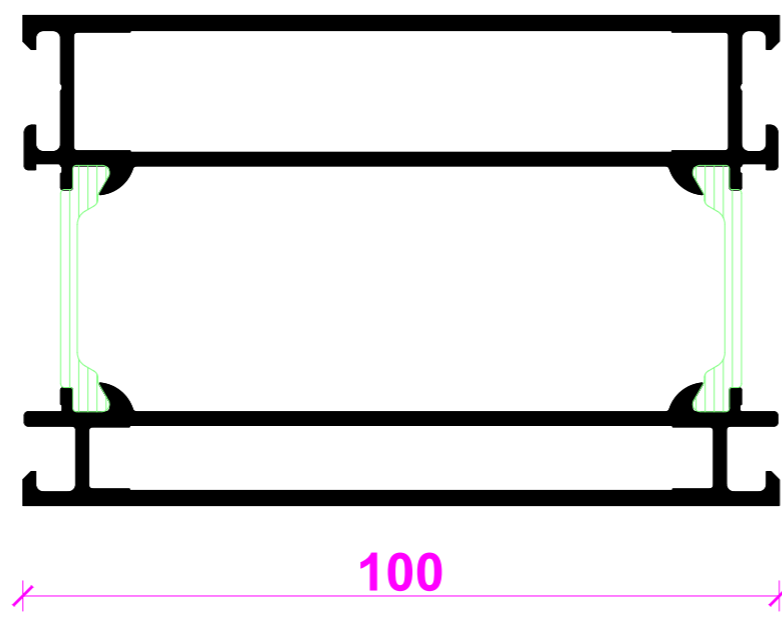
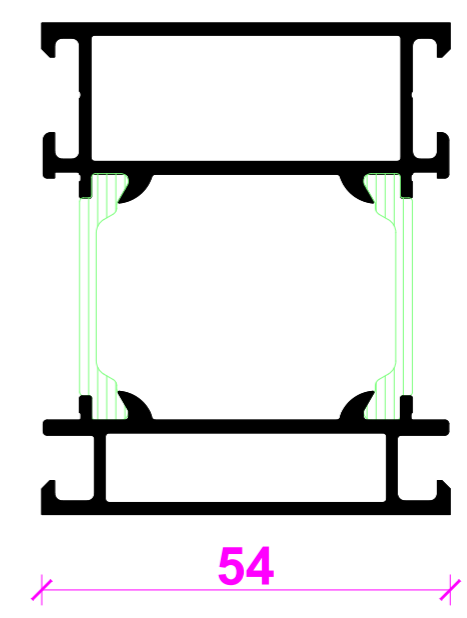
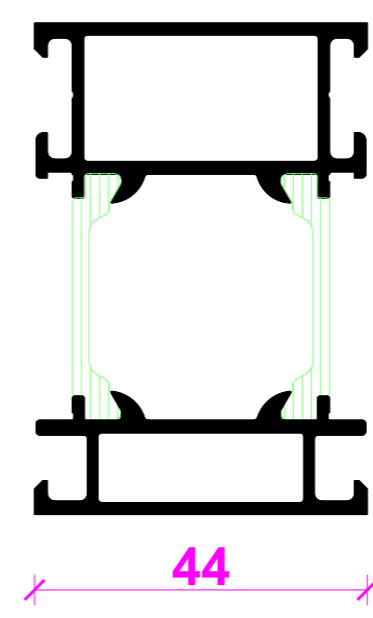
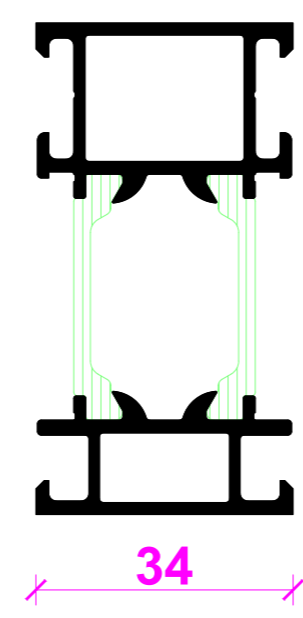
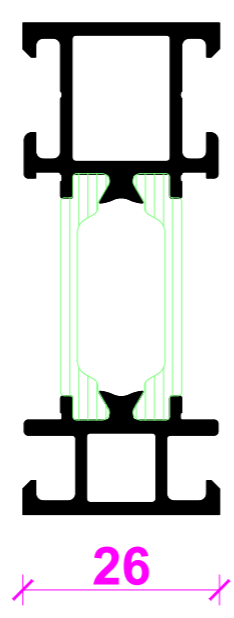
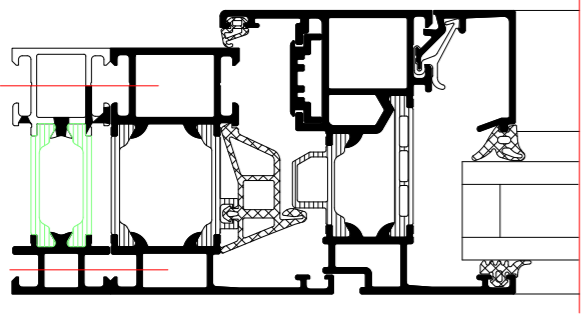


INDEX	DATE	ÄNDERUNG	GEZEICHNET	GEPRÜFT
PLANNUMMER	PLANNUMMER	PLANNUMMER	PLANNUMMER	PLANNUMMER
Riva Elementschnitte				
Riva Unit section details				
PROJEKT	Fenster RIVA AWS 65 Innen öffnend			PROJEKT NR.
PROJEKT	Window RIVA AWS 65 inward opening			PROJEKT NR.
BAUHERR	CLIENT			
PLANVERFASSER	PLANNER			
BENEDICT + RIVA		BENEDICT + RIVA GmbH		
Rödelstrasse 19		04229 Leipzig, Germany		
ANSCHREIFPARTNER	Maximilian Probst			
PLANNUMMER	STATUS	PLANNUMMER	MASSSTAB	GEZEICHNET
PLANNUMMER	STATUS	PLANNUMMER	MASSSTAB	GEZEICHNET
PLANNUMMER	STATUS	PLANNUMMER	MASSSTAB	GEZEICHNET
PLANNUMMER	STATUS	PLANNUMMER	MASSSTAB	GEZEICHNET

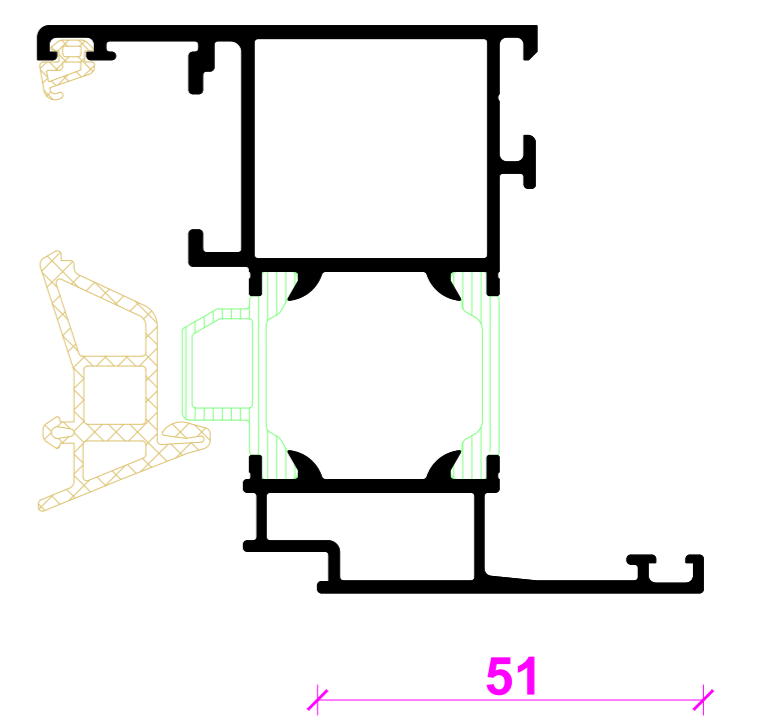
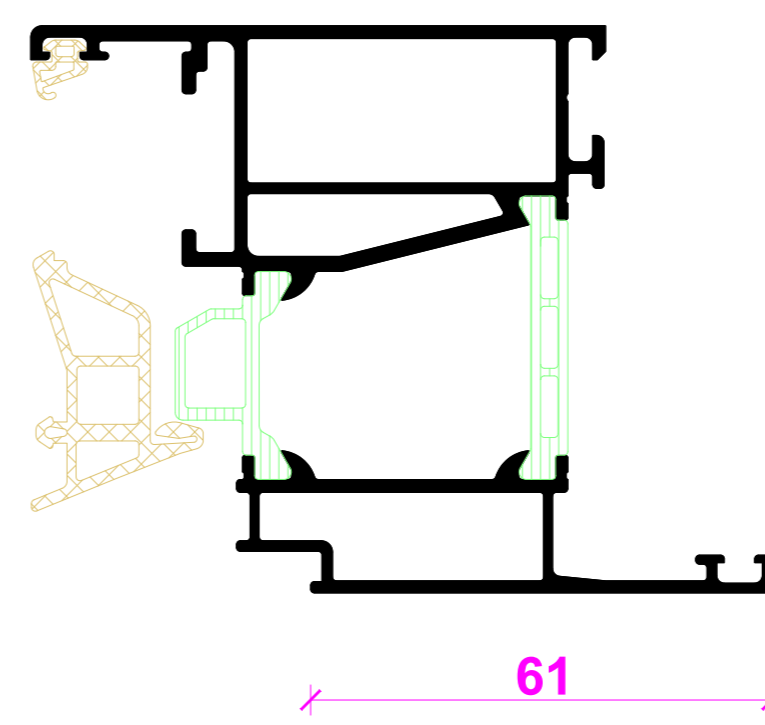
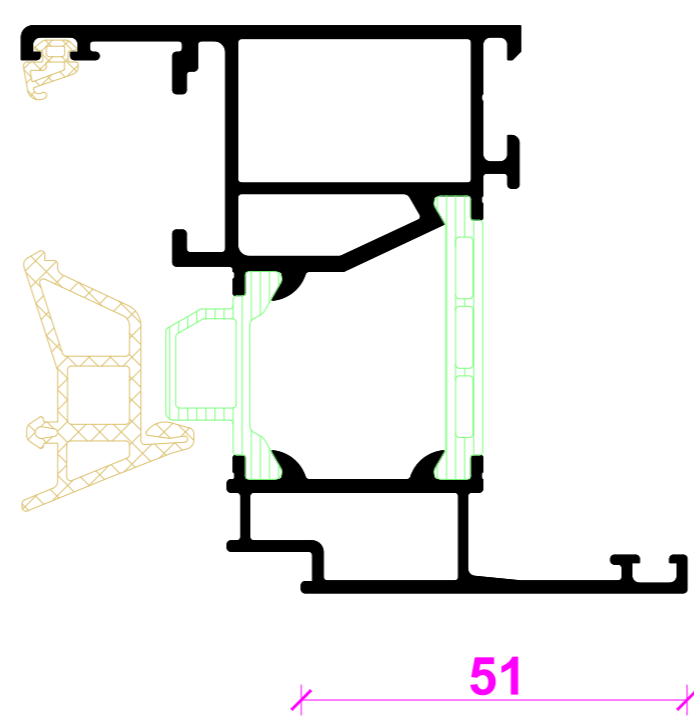
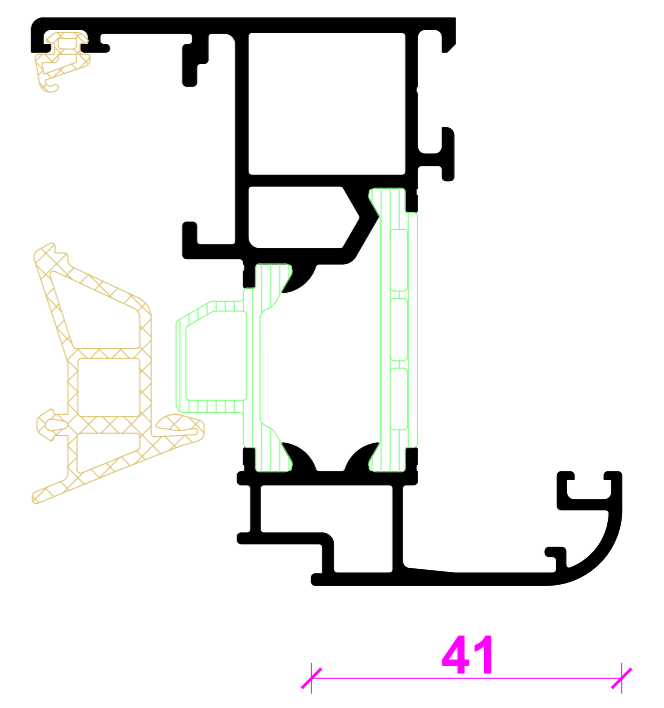
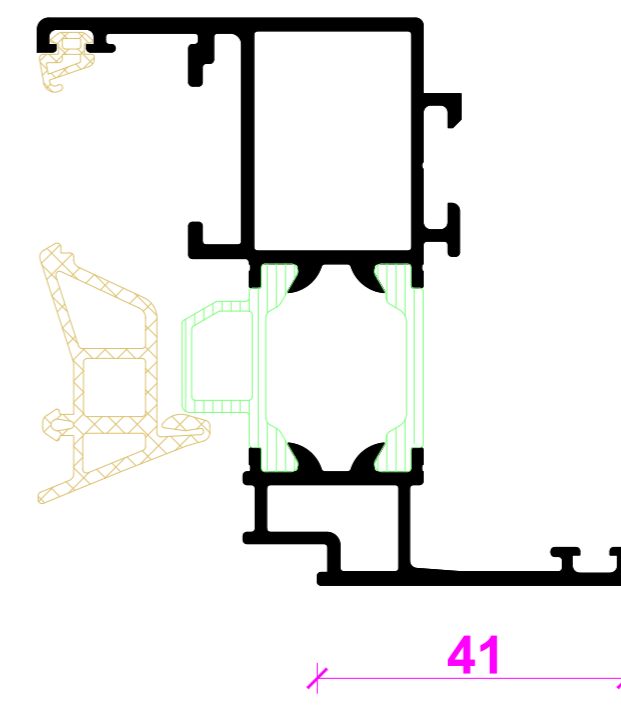
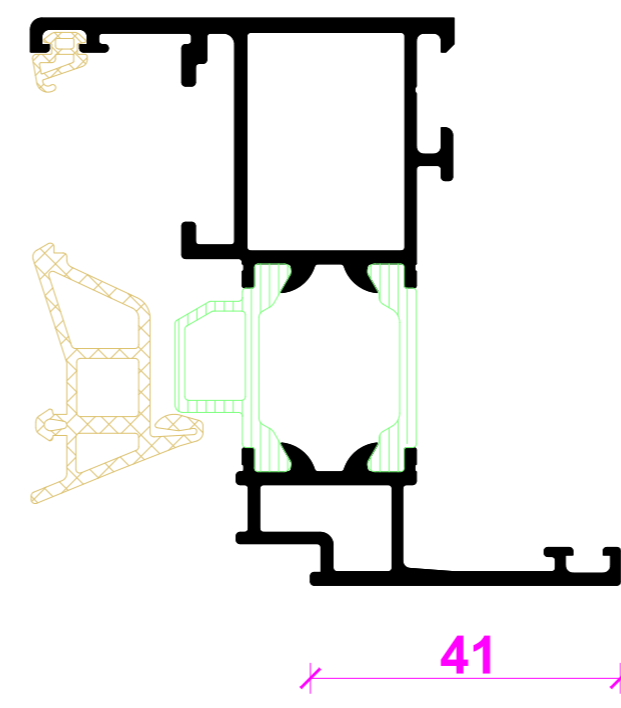
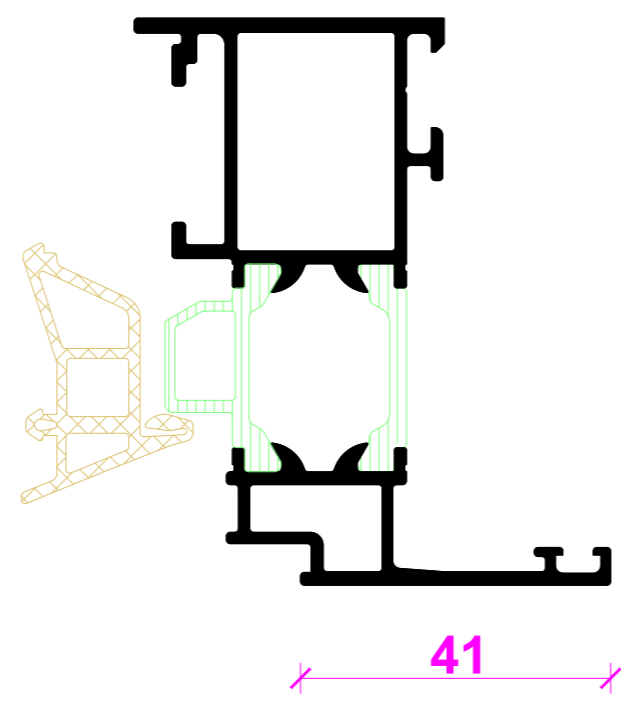
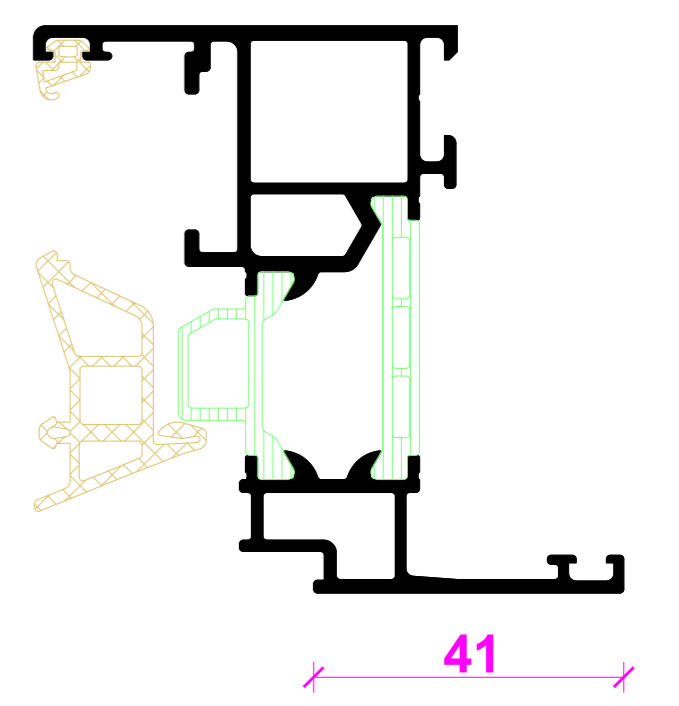
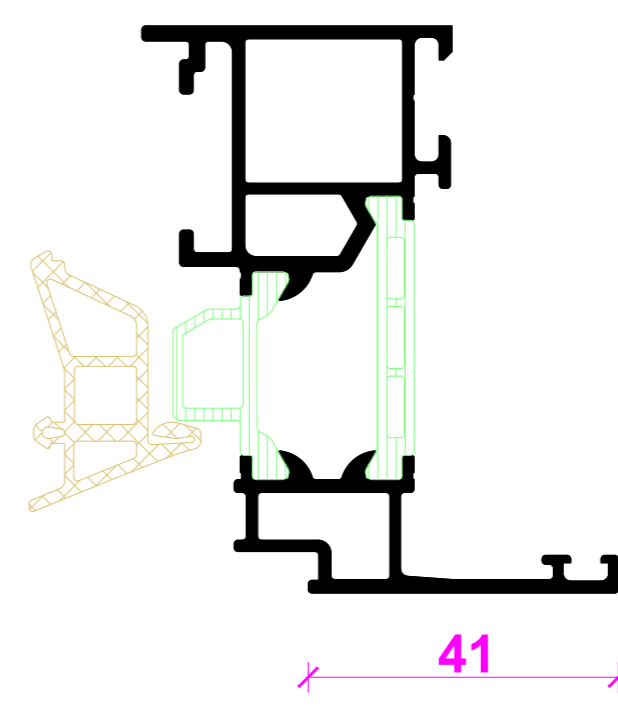
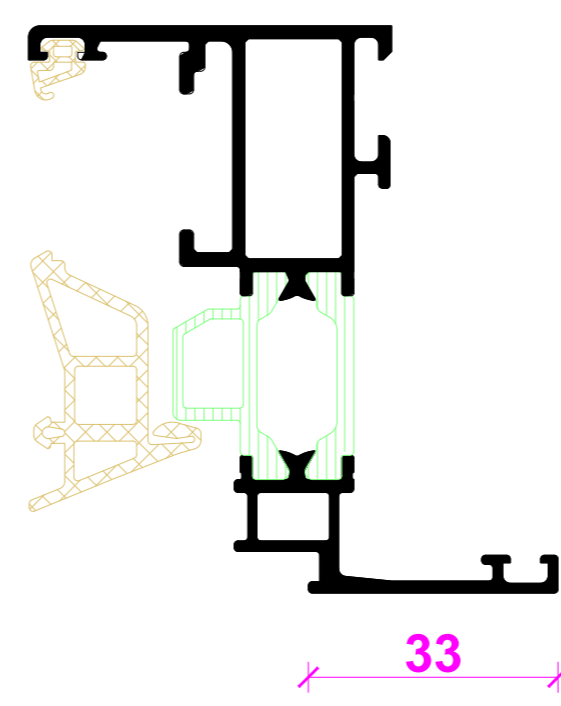
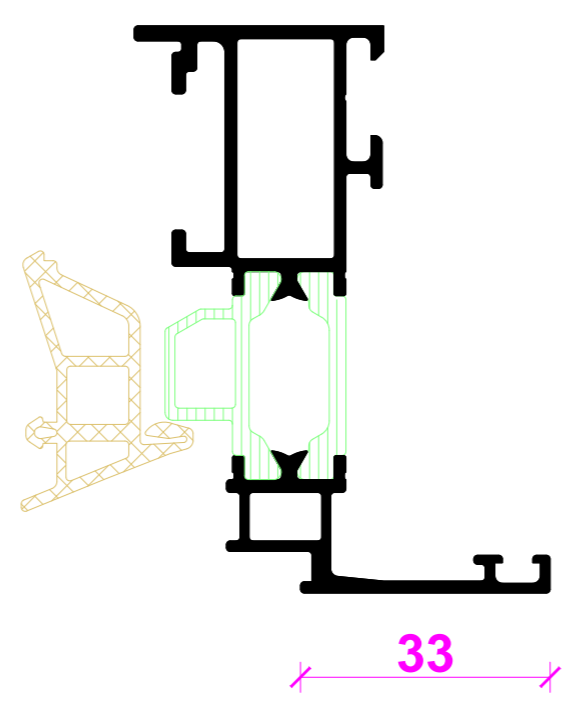
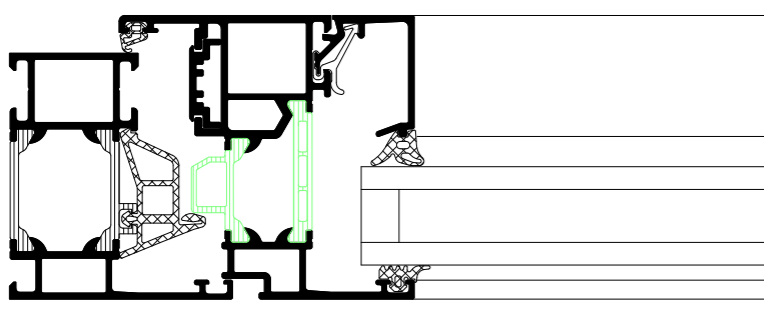




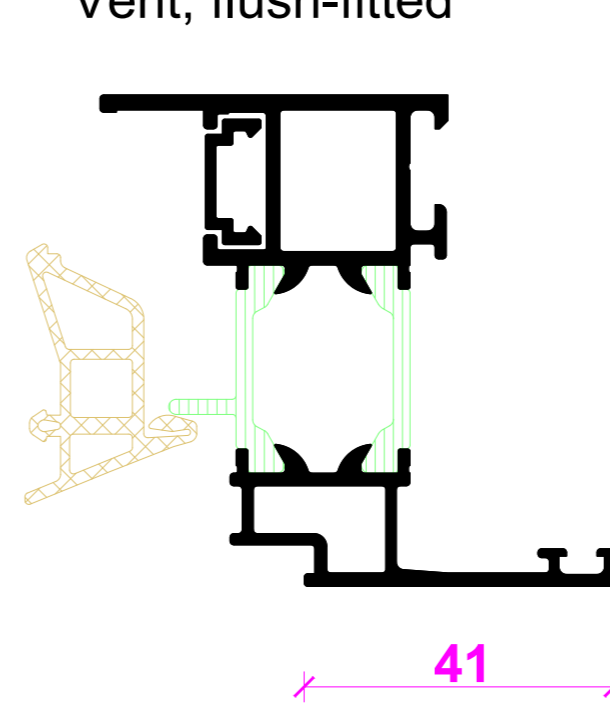
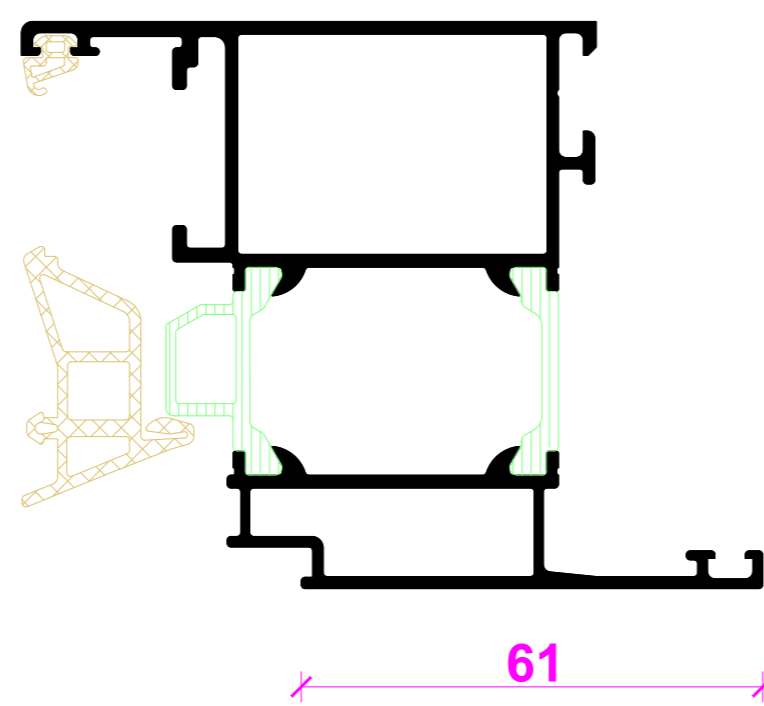
Blendrahmenverbreiterungsprofil  
Outer frame extension profile



Flügelprofil  
Vent profile



Flügel flächenbündig  
Vent, flush-fitted

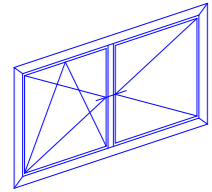


INDEX	DATE	ANDBERG	GEZEHNET	GEPRÜFT
INDEX	DATE	CHANGE	DESIGNED BY	CHECKED BY
PLANINHALT				
PLAN-CONTRAT				
Riva Profilsysteme				
Riva Profile systems				
PROJEKT				PROJEKT NR.
Riva Fenster AWS 65 Innen öffnend				
Riva Window AWS 65 inward opening				
BÄUHER				
CLIENT				
PLANVERFASSER				
PLANNER				
BENEDICT + RIVA				
BENEDICT + RIVA GmbH				
Rödelstrasse 19				
04229 Leipzig, Germany				
ANSCHREIBEPERSON		Markus Ankeles		
CONTACT PERSON				
PLANART	STATUS	PLANFORMAT	MASSSTAB	GEZEHNET
PLANNING TYPE	STATUS	FORMAT	SCALE	DESIGNED BY
		DWG		DATE
PLANUMMER				GEPRÜFT
DOCUMENT NUMBER				CHECKED BY
				N.A.

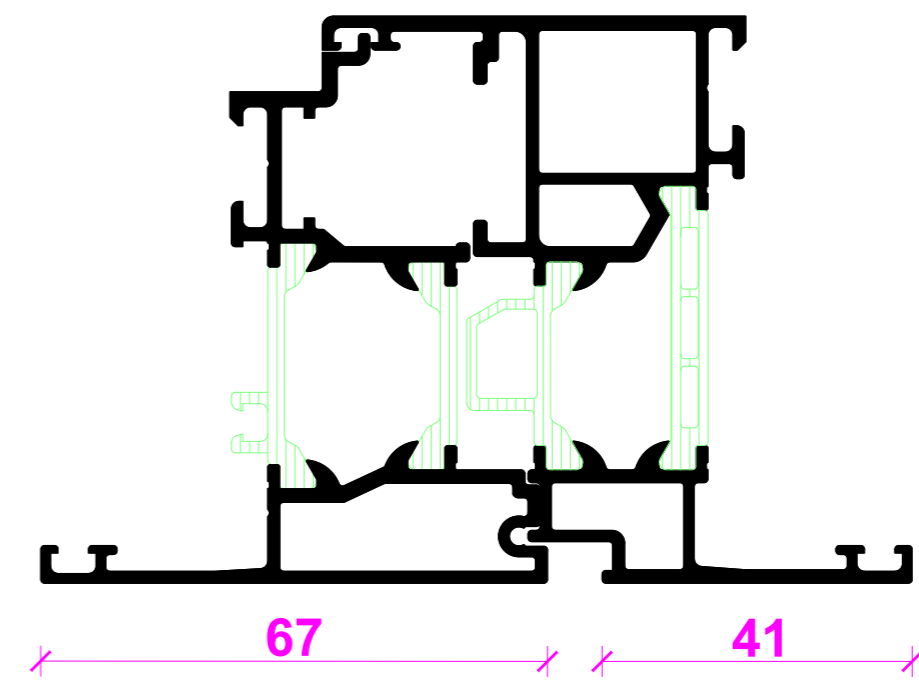
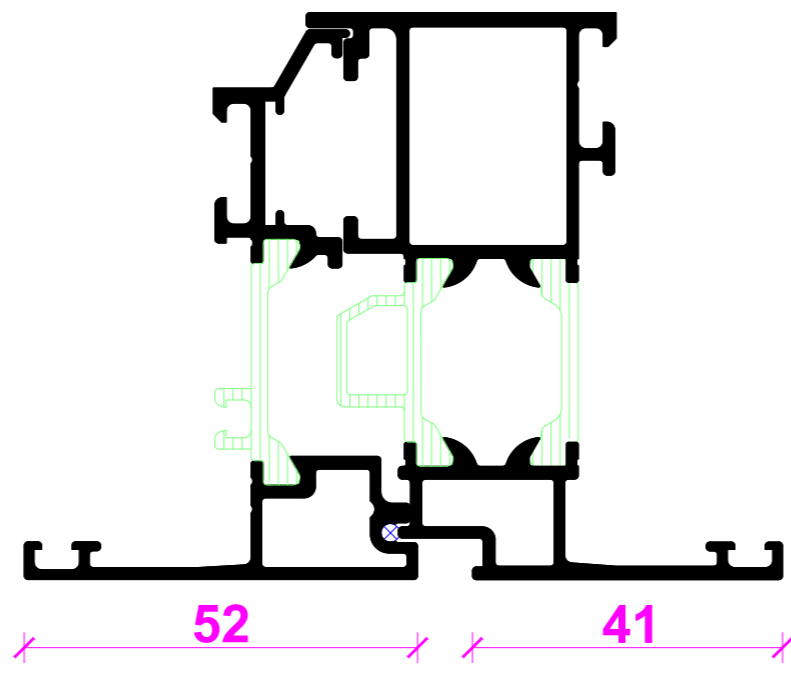
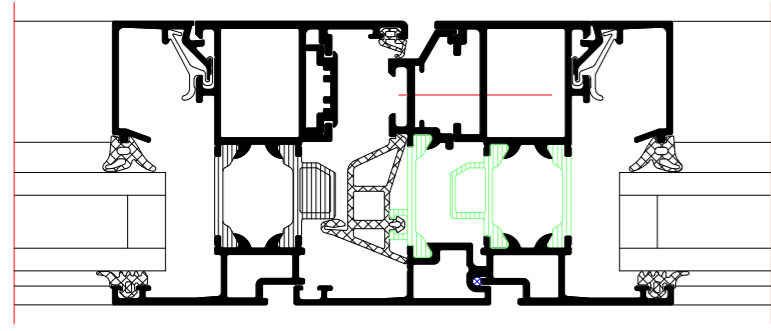




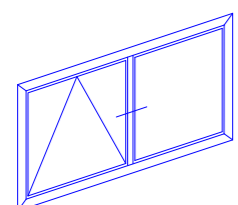
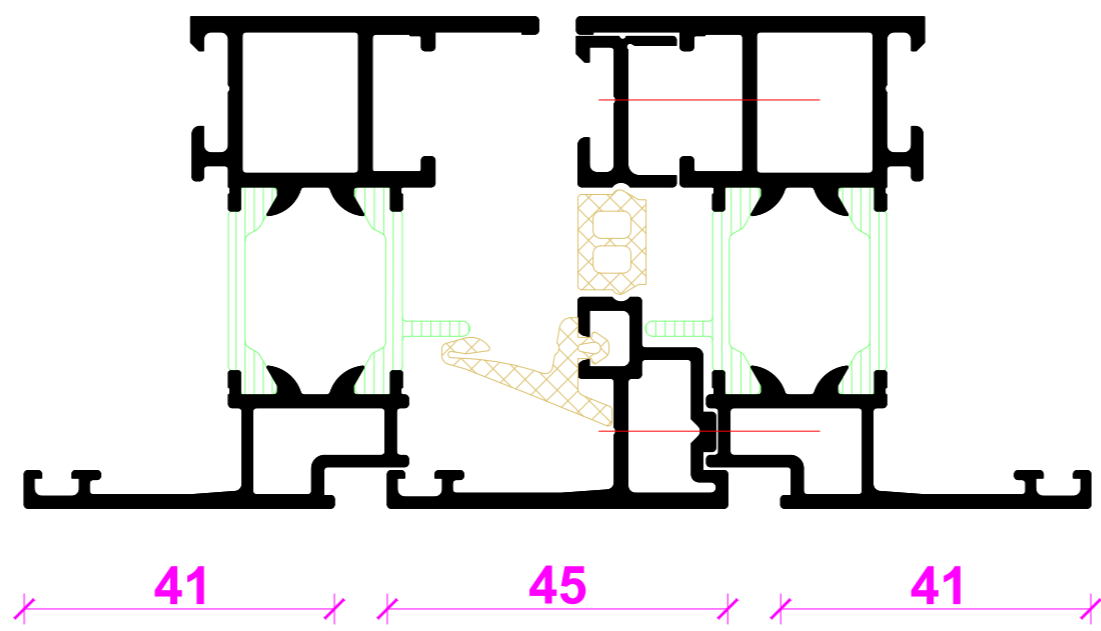




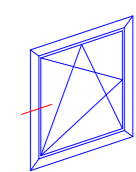
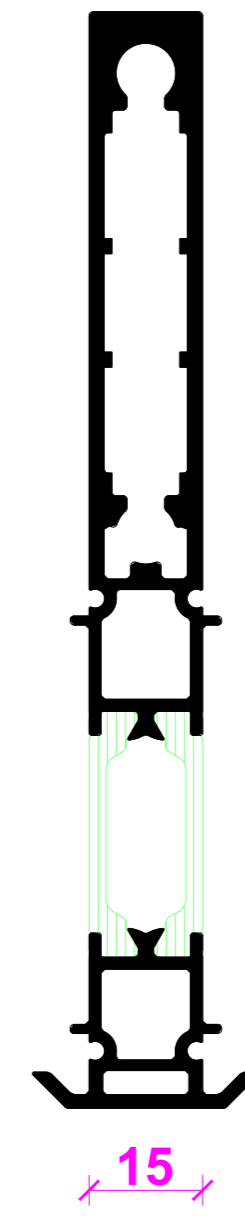
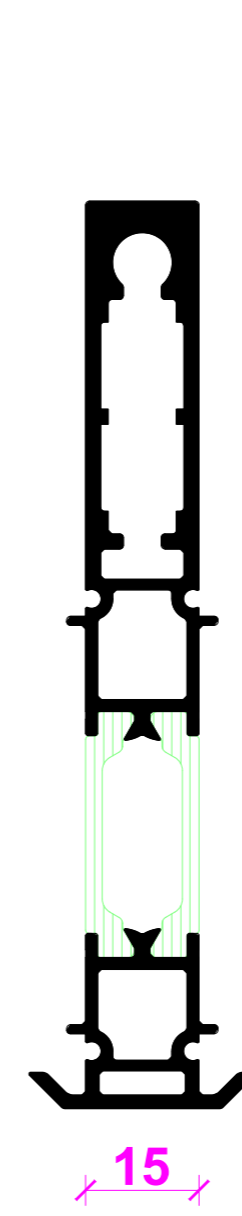
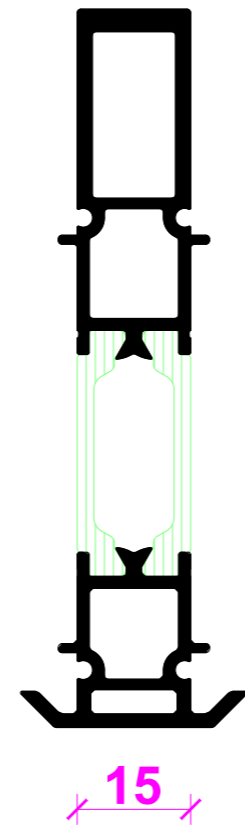
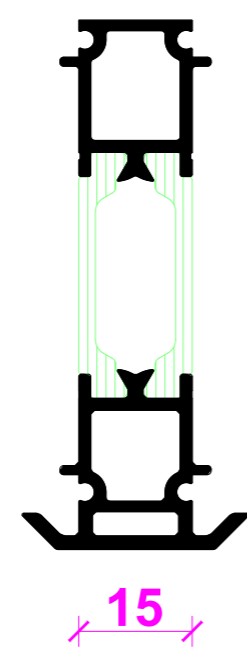
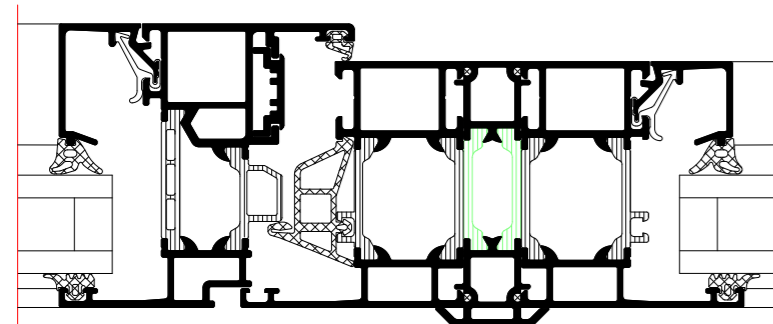
Stulpprofil und Stulpflügelprofil  
Double-vent profile and double-vent vent profile



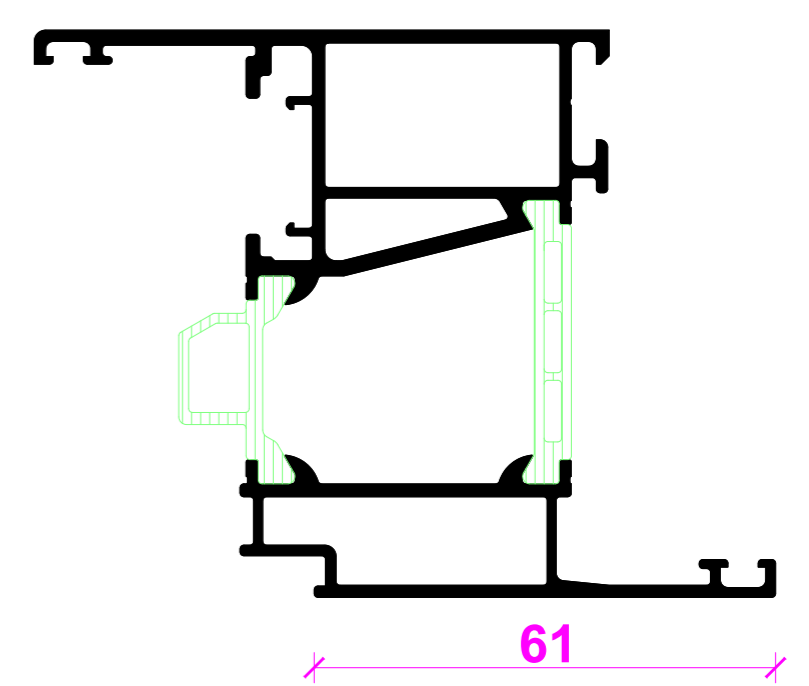
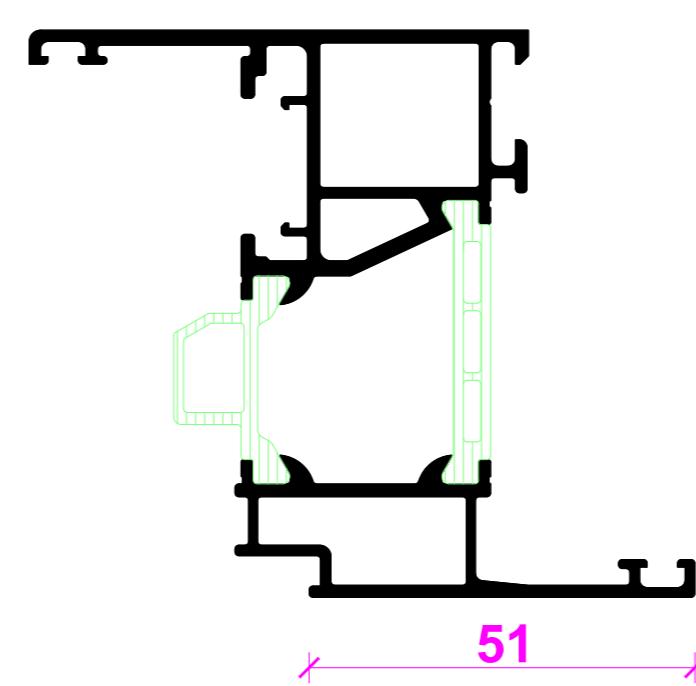
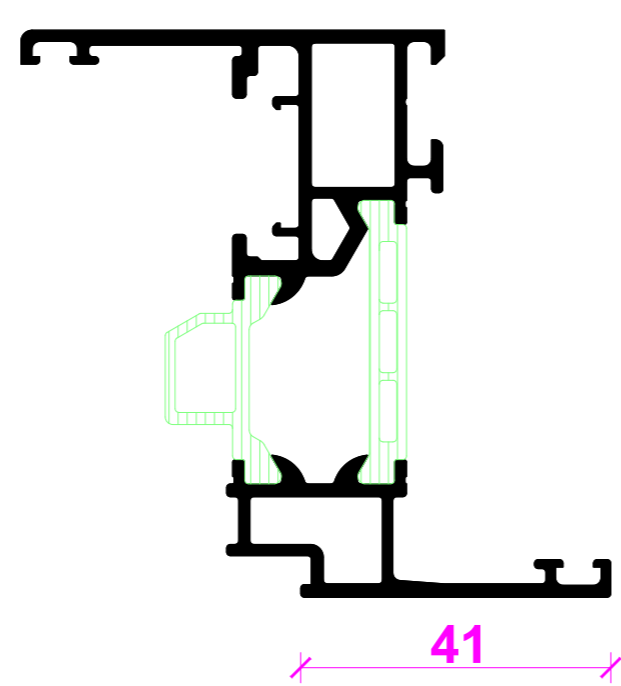
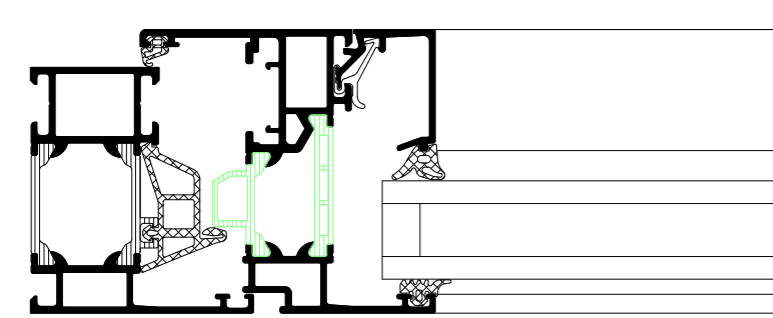
Stulpprofil und Stulpflügelprofil flächenbündig  
Double-vent profile and double-vent vent profile, flush-fitted



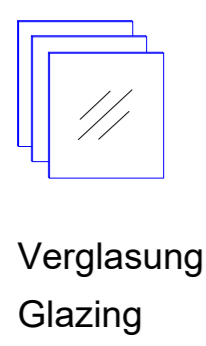
Kopplungspfosten  
Coupling mullion



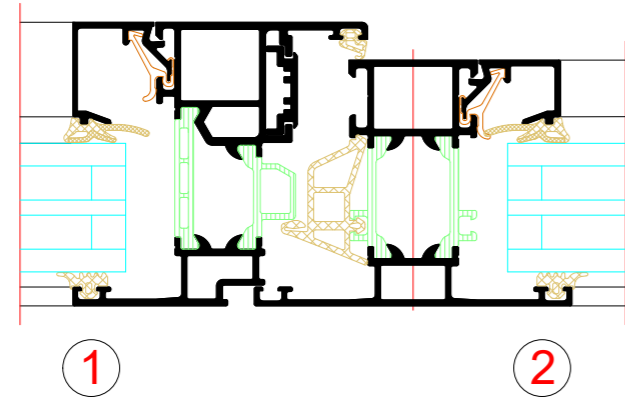
TipTronic Flügelprofil  
TipTronic vent profile



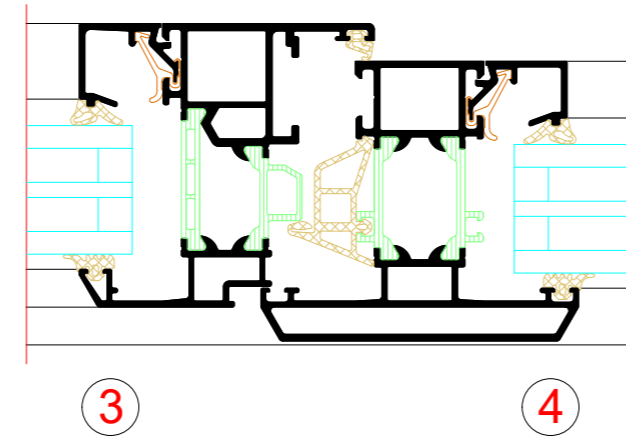
INDEX	DATE	REVISION	DESIGNED BY	CHECKED BY
PLANNING				
PLANNING TYPE				
PLANNING NUMBER				
PLANNING DATE				
PROJECT	Riva Profilsysteme Riva Profile systems			PROJECT NO. PROJECT IAN
CLIENT	Riva Fenster AWS 65 Innen öffnend Riva Window AWS 65 inward opening			
PLANNING FIRM	BENEDICT + RIVA			BENEDICT + RIVA GmbH Röcklestrasse 19 04320 Leipzig, Germany
CONTACT PERSON	STATUS	PLANNING TYPE	SCALE	DESIGNED BY
PLANNING TYPE	STATUS	PLANNING TYPE	SCALE	DESIGNED BY
PLANNING NUMBER	STATUS	PLANNING TYPE	SCALE	DESIGNED BY



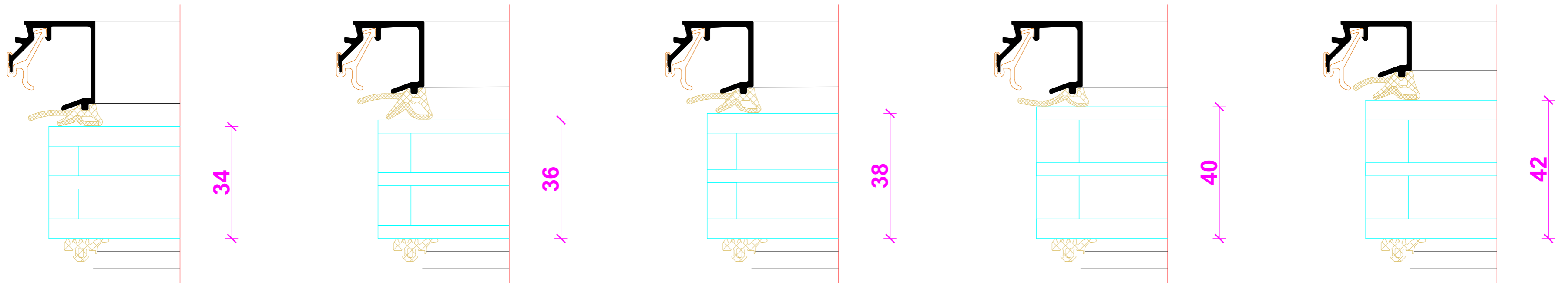
AWS 65  
AWS 65



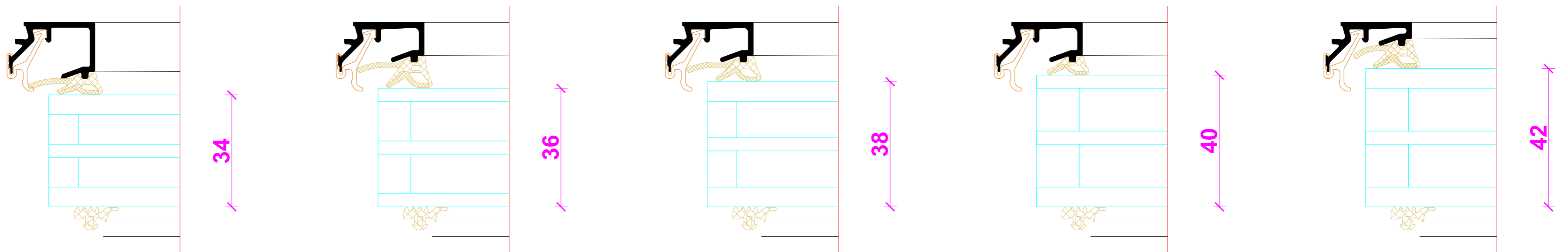
AWS 65 RL  
AWS 65 RL



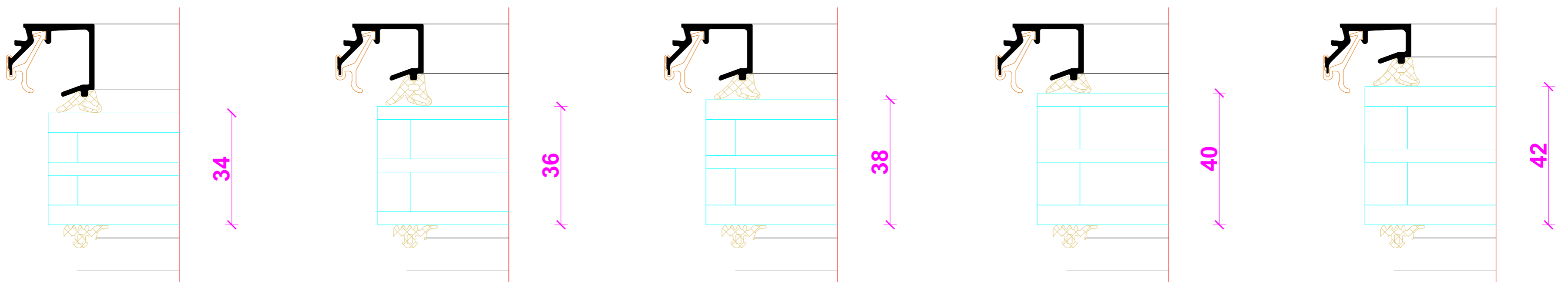
**1\*** 3-fach Verglasung - Flügel - AWS 65  
Triple glazing - vent - AWS 65



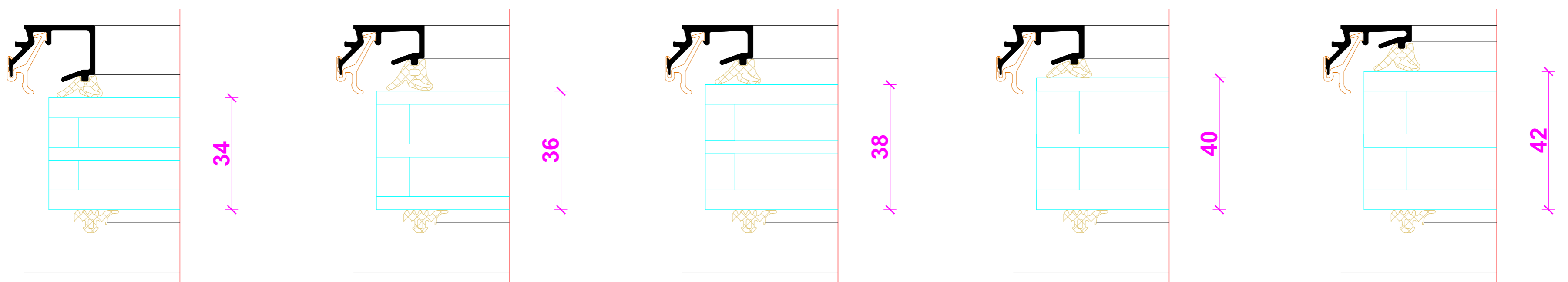
**2\*** 3-fach Verglasung - Pfosten / Blendrahmen - AWS 65  
Triple glazing - mullion / outer frame - AWS 65



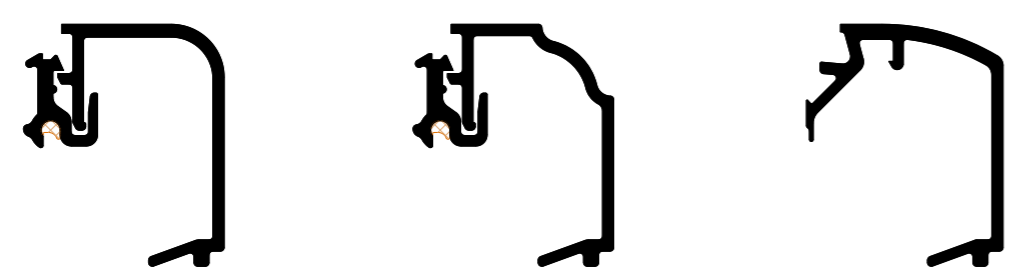
**3\*** 3-fach Verglasung - Flügel - AWS 65 RL  
Triple glazing - vent - AWS 65 RL



**4\*** 3-fach Verglasung - Pfosten / Blendrahmen - AWS 65 RL  
Triple glazing - mullion / outer frame - AWS 65 RL

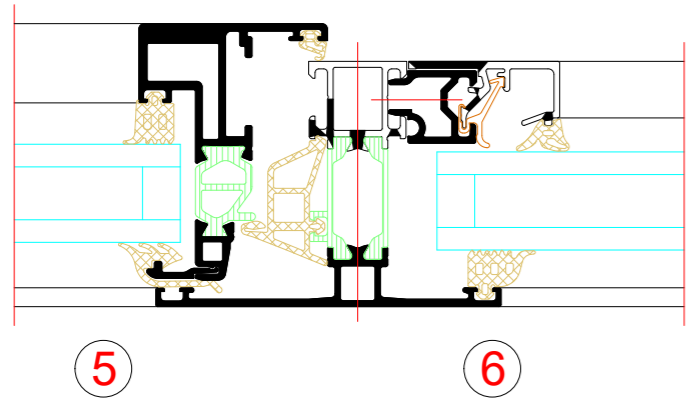


- \* Alternative Glasleisten - Gestaltungsleisten
- \* Alternative glazing beads - feature glazing beads

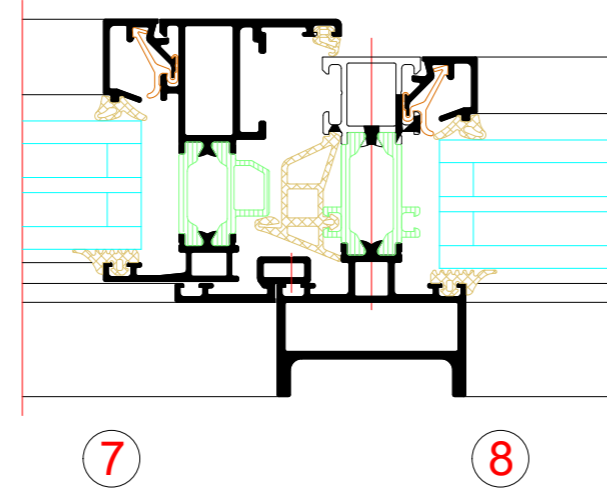


INDEX	DATE	REVISION	DESIGNED BY	CHECKED BY	
PLANNING					
PLANNING					
PROJECT					
Riva Profilsysteme					
Riva Profile systems					
PROJECT					
Riva Fenster AWS 65 Innen öffnend					
Riva Window AWS 65 inward opening					
DRAWER					
CLEAR					
PLANNING					
BENEDICT + RIVA					
BENEDICT + RIVA GmbH					
Rödelstrasse 19					
04229 Leipzig, Germany					
PLANNING	STATUS	PLANNING	SCALE	DESIGNED BY	CHECKED BY
PLANNING		PLANNING			
PLANNING		PLANNING			
DOCUMENT NUMBER					

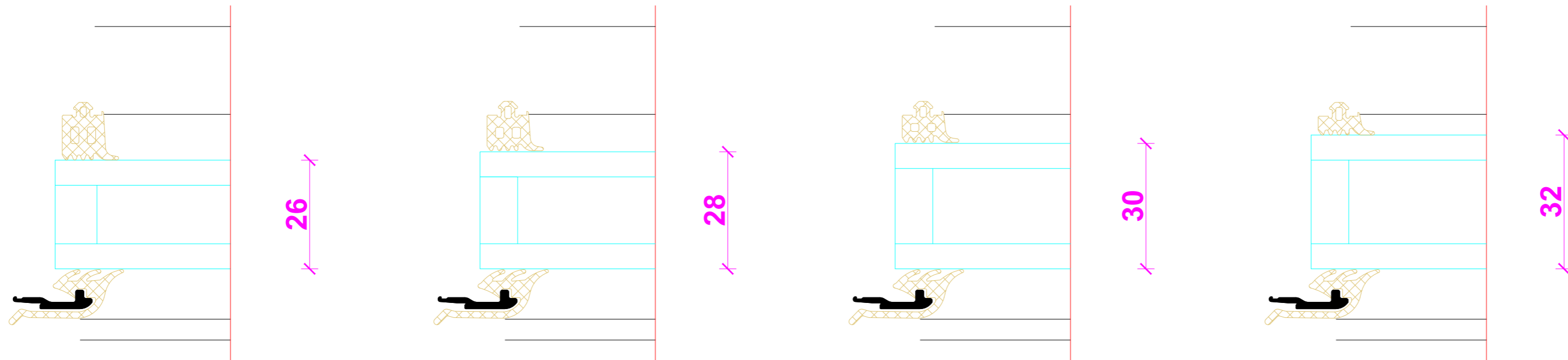
AWS 65 BS  
AWS 65 BS



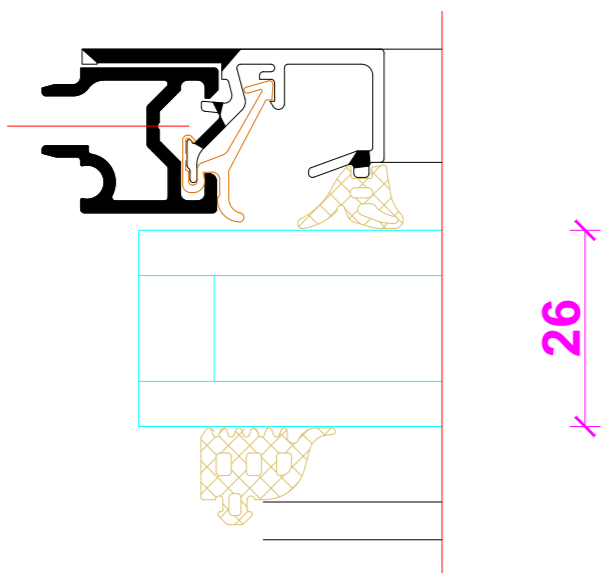
AWS 65 WF  
AWS 65 WF



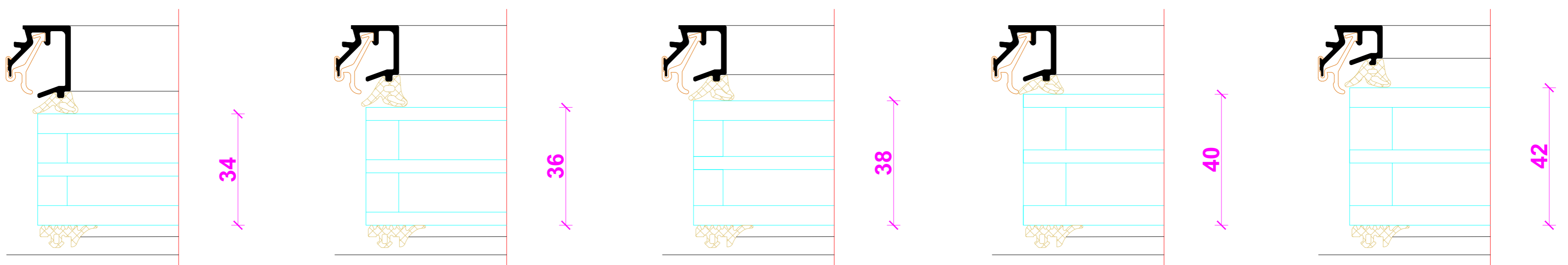
**5** 2-fach Verglasung - Flügel - AWS 65 BS  
Double glazing - vent - AWS 65 BS



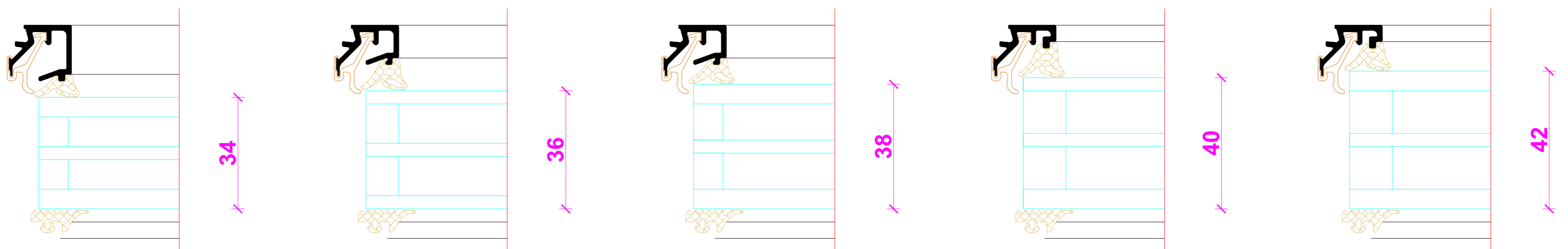
**6** 2-fach Verglasung - Pfosten / Blendrahmen - AWS 65 BS  
Double glazing - mullion / outer frame - AWS 65 BS



**7** 3-fach Verglasung - Flügel - AWS 65 WF mit Flügelprofil 367780  
Triple glazing - vent - AWS 65 WF with vent profile 367780



**8** 3-fach Verglasung - Pfosten / Blendrahmen - AWS 65 WF  
Triple glazing - mullion / outer frame - AWS 65 WF

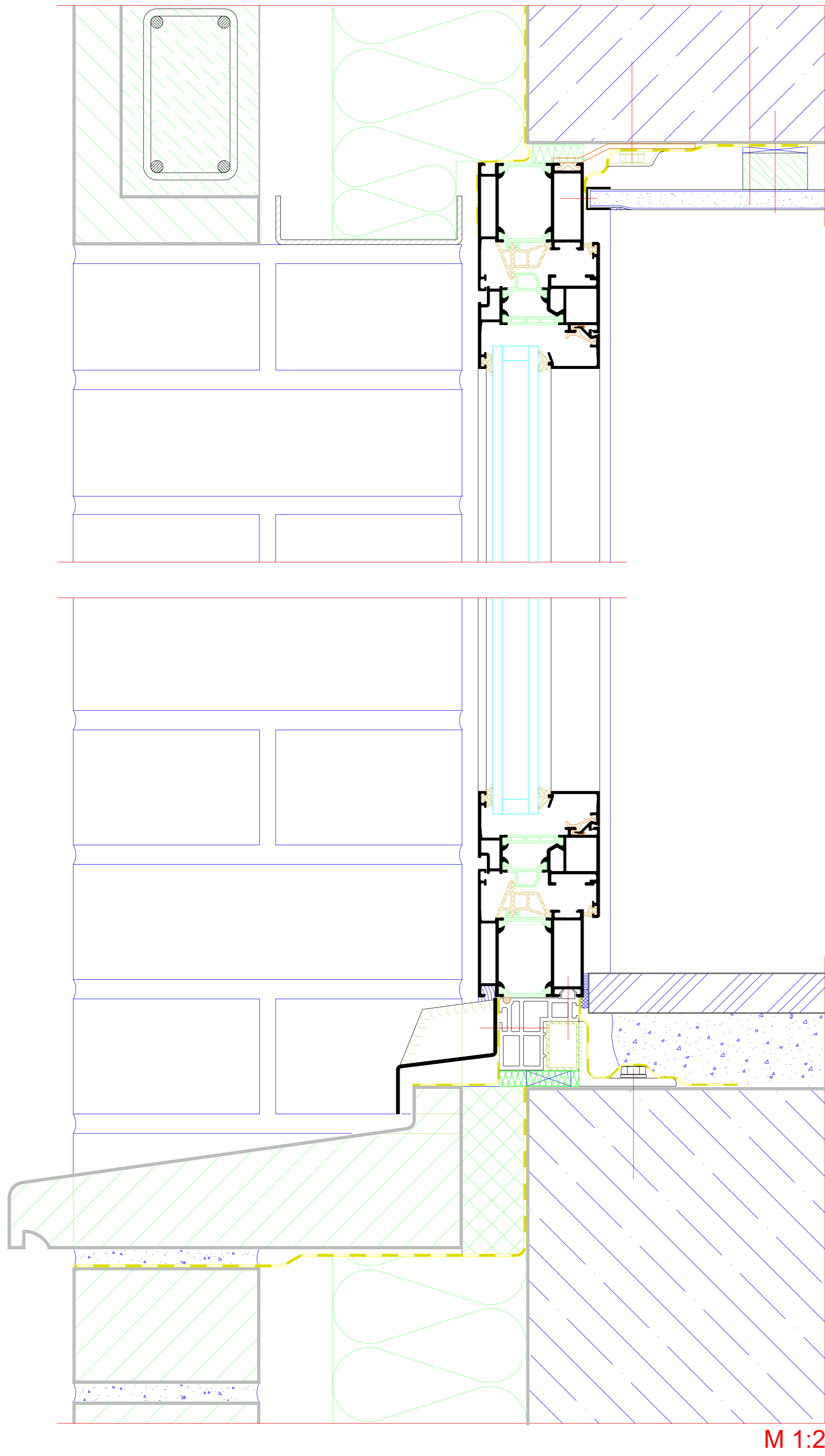


NO.	INDEX	DATE	REVISION	DESIGNED BY	CHECKED BY
PLANNING	PLANNING				
PLANNING	PLANNING				
<p>PROJECT PROJECT Riva Fenster AWS 65 Innen öffnend Riva Window AWS 65 inward opening</p>					
<p>CLIENT CLIENT</p>					
<p>PLANNING PLANNING</p>					
<p>ANSPRECHPARTNER CONTACT PERSON Matthew Arnoldt</p>					
PLANNING	STATUS	PLANNING	SCALE	DESIGNED BY	CHECKED BY
PLANNING	DRAWING	SCALE	SCALE	DESIGNED BY	CHECKED BY
<p>PLANNING DOCUMENT NUMBER</p>					

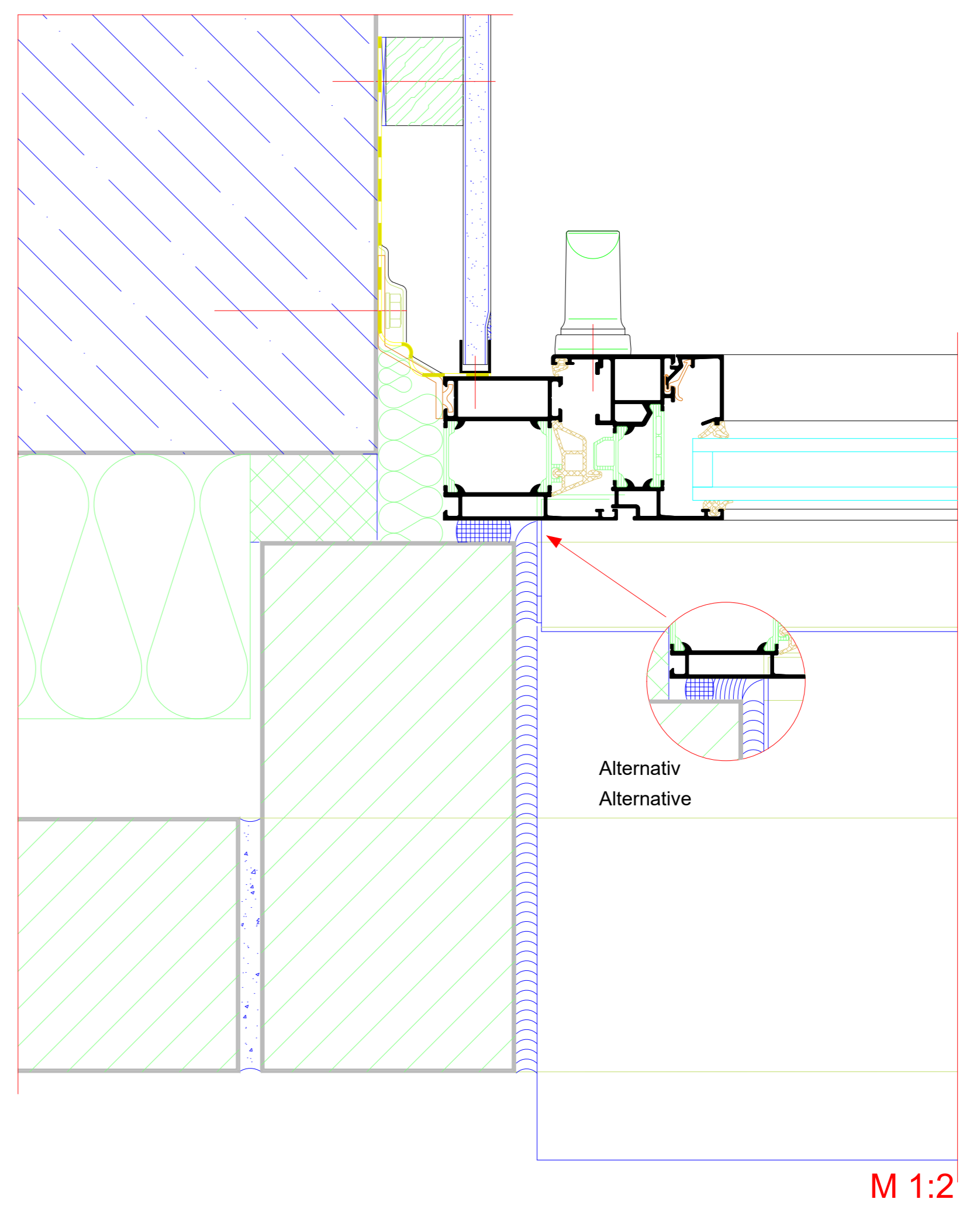
Zweischaliges Mauerwerk  
Double-skin masonry

Oberer Anschluss  
Top attachment

Bauseitige Sperrfolie oberhalb des Sturzes berücksichtigen!  
Take on-site barrier film above the lintel into consideration.



Seitlicher Anschluss  
Side attachment



Unterer Anschluss  
Bottom attachment

INDEX	DATE	REVISION	DESIGNED BY	CHECKED BY
PLANNING				
PLANNING				
PROJECT				
Riva Baukörperanschlüsse				
Riva Attachments to building structure				
PROJECT				
Riva Fenster AWS 65 Innen öffnend				
Riva Window AWS 65 inward opening				
CLIENT				
-				
PLANNING				
BENEDICT + RIVA				
BENEDICT + RIVA GmbH Rosastraße 13 04229 Leipzig, Germany				
PLANNING	STATUS	PLANNING	SCALE	DESIGNED BY
PLANNING	DRAFT	SCALE	SCALE	SCALE
PLANNING	SCALE	SCALE	SCALE	SCALE
PLANNING	SCALE	SCALE	SCALE	SCALE