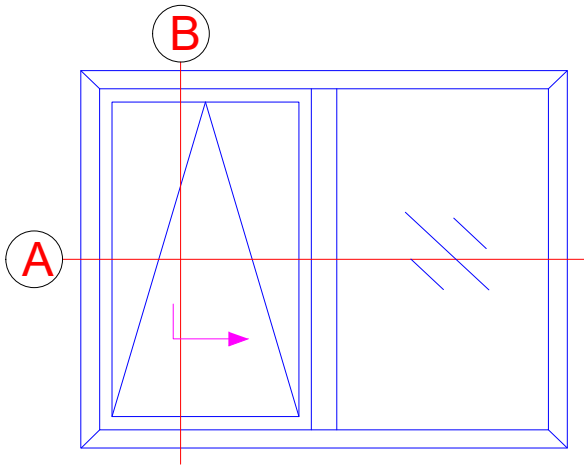


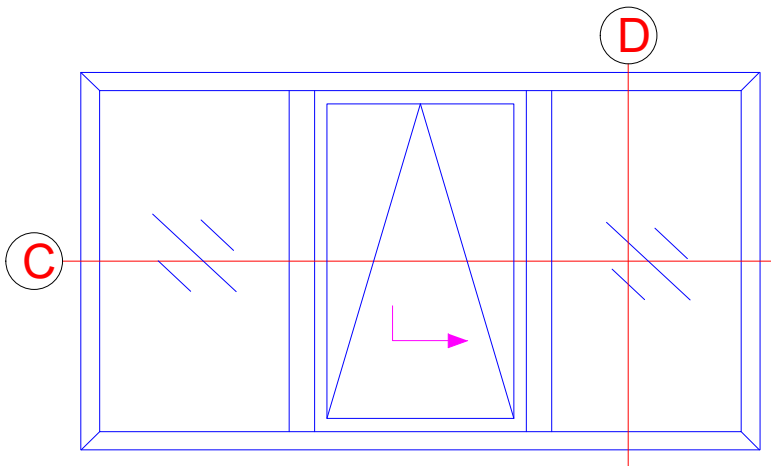
Typ 1

Type 1



Typ 2

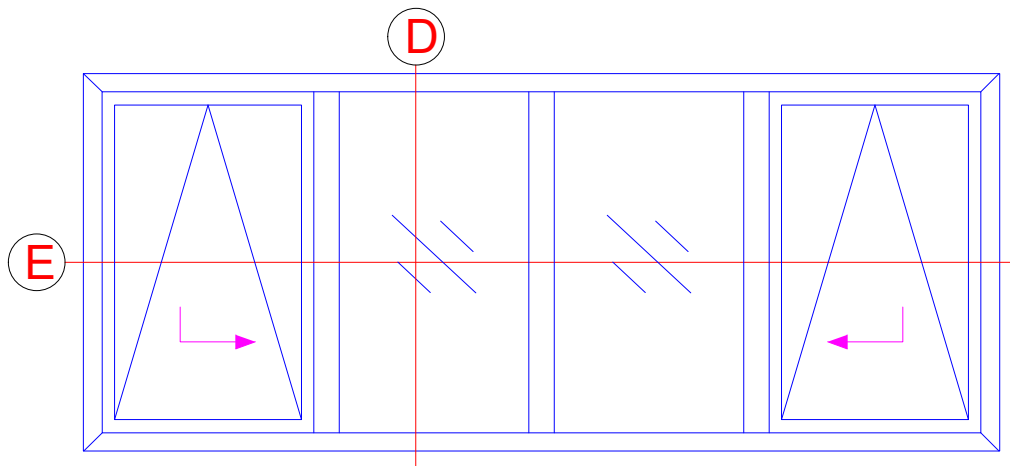
Type 2



INDEX	DATUM	ÄNDERUNG	GEZEICHNET	GEPRÜFT
INDEX	DATE	CHANGE	DESIGNED BY	CHECKED BY
PLANINHALT PLAN CONTENT				DATUM DATE
Riva Elementbeispiele Riva Unit examples				
PROJEKT PROJECT				PROJEKT NR. PROJECT NR.
Fenster RIVA AWS 65 PASK - Barrierefrei Window RIVA AWS 65 Tilt/slide - easy access				
BAUHERR CLIENT				
-				
PLANVERFASSER PLANNER				
BENEDICT + RIVA			BENEDICT + RIVA GmbH Rödelstrasse 13 04229 Leipzig, Germany	
ANSPRECHPARTNER CONTACT PERSON		Matthias Anderle		
PLANART PLANNING TYPE	STATUS STATUS	PLANFORMAT FORMAT	MAßSTAB SCALE	GEZEICHNET DESIGNED BY
-	-	DIN A4	-	B.J.Ni
PLANNUMMER DOCUMENT NUMBER				
-				

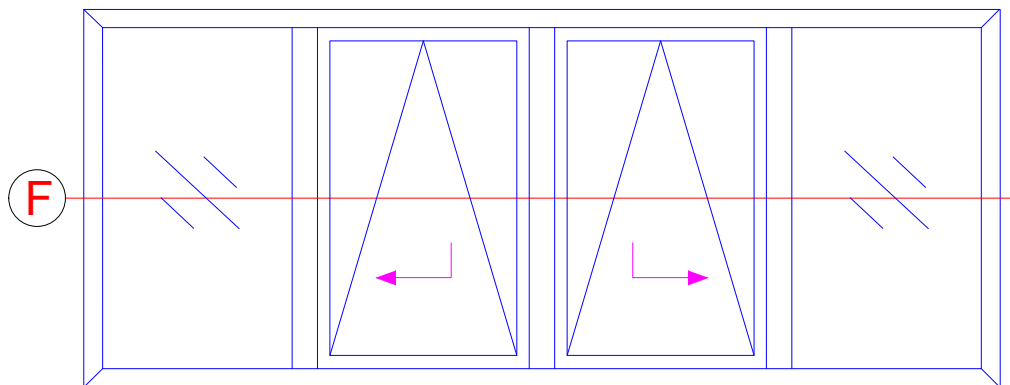
Typ 3

Type 3



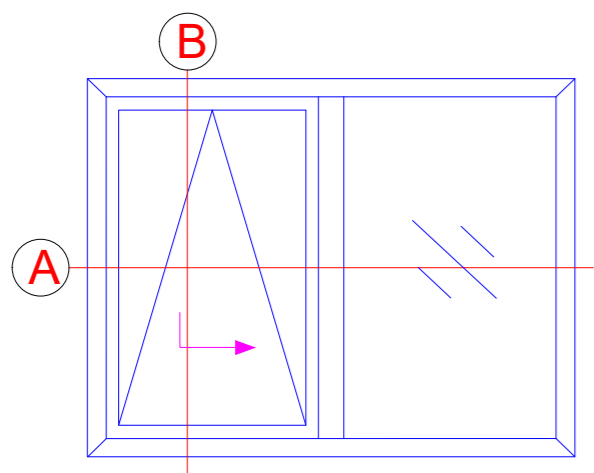
Typ 4

Type 4

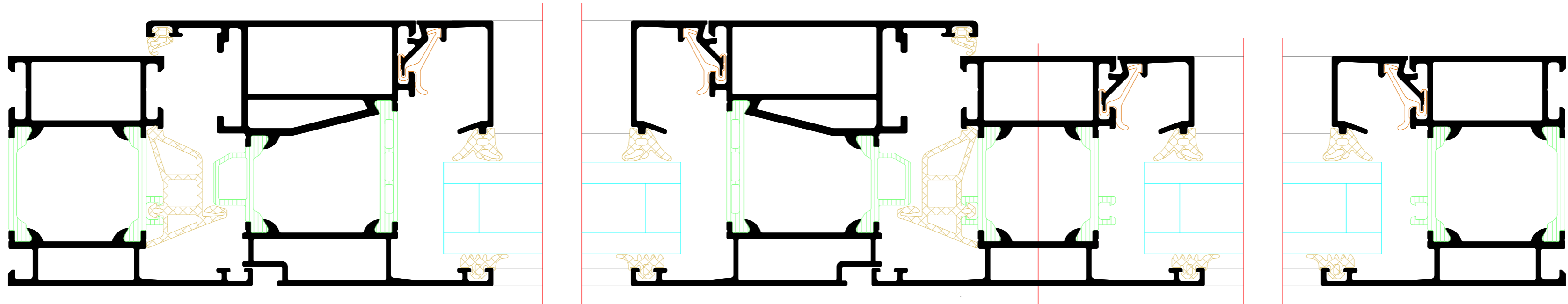


-	-	-	-	-
INDEX INDEX	DATUM DATE	ÄNDERUNG CHANGE	GEZEICHNET DESIGNED BY	GEPRÜFT CHECKED BY
PLANINHALT PLAN CONTENT				DATUM DATE
Riva Elementbeispiele Riva Unit examples				
PROJEKT PROJECT				PROJEKT NR. PROJECT NR.
Fenster RIVA AWS 65 PASK - Barrierefrei Window RIVA AWS 65 Tilt/slide - easy access				
BAUHERR CLIENT				
-				
PLANVERFASSER PLANNER				
BENEDICT + RIVA			BENEDICT + RIVA GmbH Rödelstrasse 13 04229 Leipzig, Germany	
ANSPRECHPARTNER CONTACT PERSON		Matthias Anderle		
PLANART PLANNING TYPE	STATUS STATUS	PLANFORMAT FORMAT	MAßSTAB SCALE	GEZEICHNET DESIGNED BY
-	-	DIN A4	-	B.J.Ni
PLANNUMMER DOCUMENT NUMBER				
-				

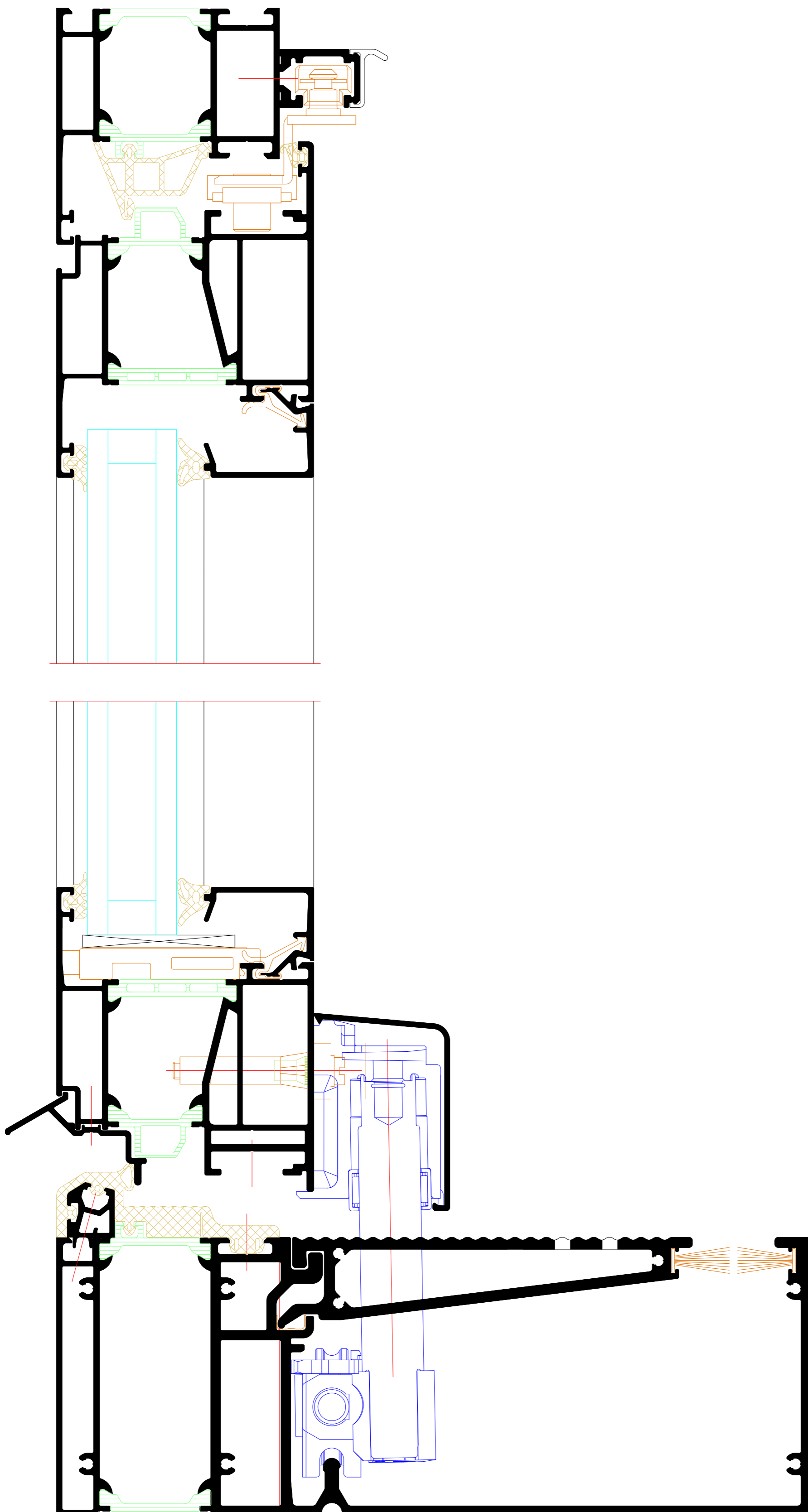
Typ 1
Type 1



A



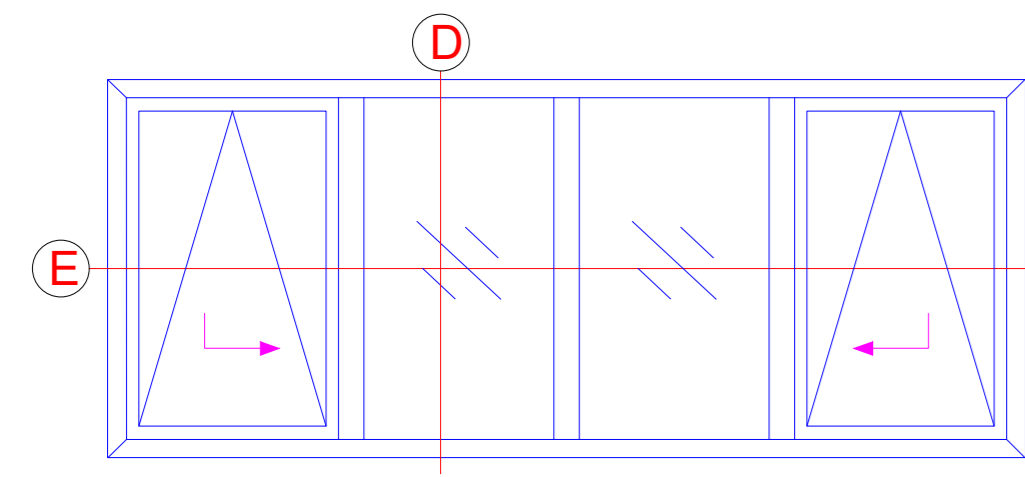
B



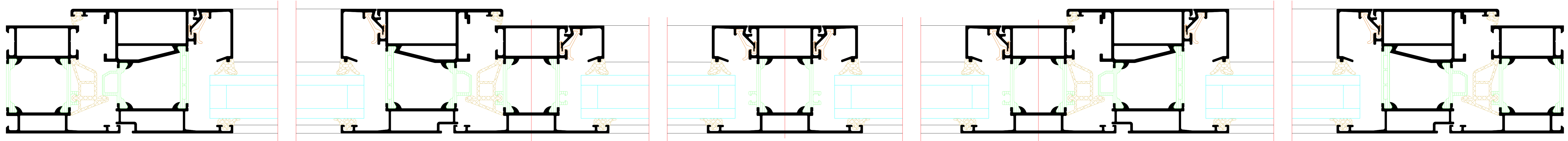
BENEDICT
+ RIVA

INDEX	DATE	ÄNDERUNG	GEZEICHNET	GEPRÜFT
INDEX	DATE	CHANGE	DESIGNED BY	CHECKED BY
PLANNRZGL				DATE
PLAN CONDET				DATE
Riva Elementenschnitte				
Riva Unit section details				
PROJECT	Fenster RIVA AWS 65 PASK - Barrierefrei			PROJECT NR.
PROJECT	Window RIVA AWS 65 Tilt/Slide - easy access			PROJECT NR.
BAUHERR	CLIENT			
PLANVERFASSER	PLANNER			
BENEDICT + RIVA		BENEDICT + RIVA GmbH Rödelstrasse 19 04229 Leipzig, Germany		
ANSPRECHPARTNER	CONTACT PERSON			
PLANART	STATUS	PLANNUMMER	MASSE/AB	GEZEICHNET
PLANNING TYPE	STATUS	FORMAT	SCALE	DESIGNED BY
PLANNRZGL		DATE		DATE
PLANNRZGL	DOCUMENT NUMBER			

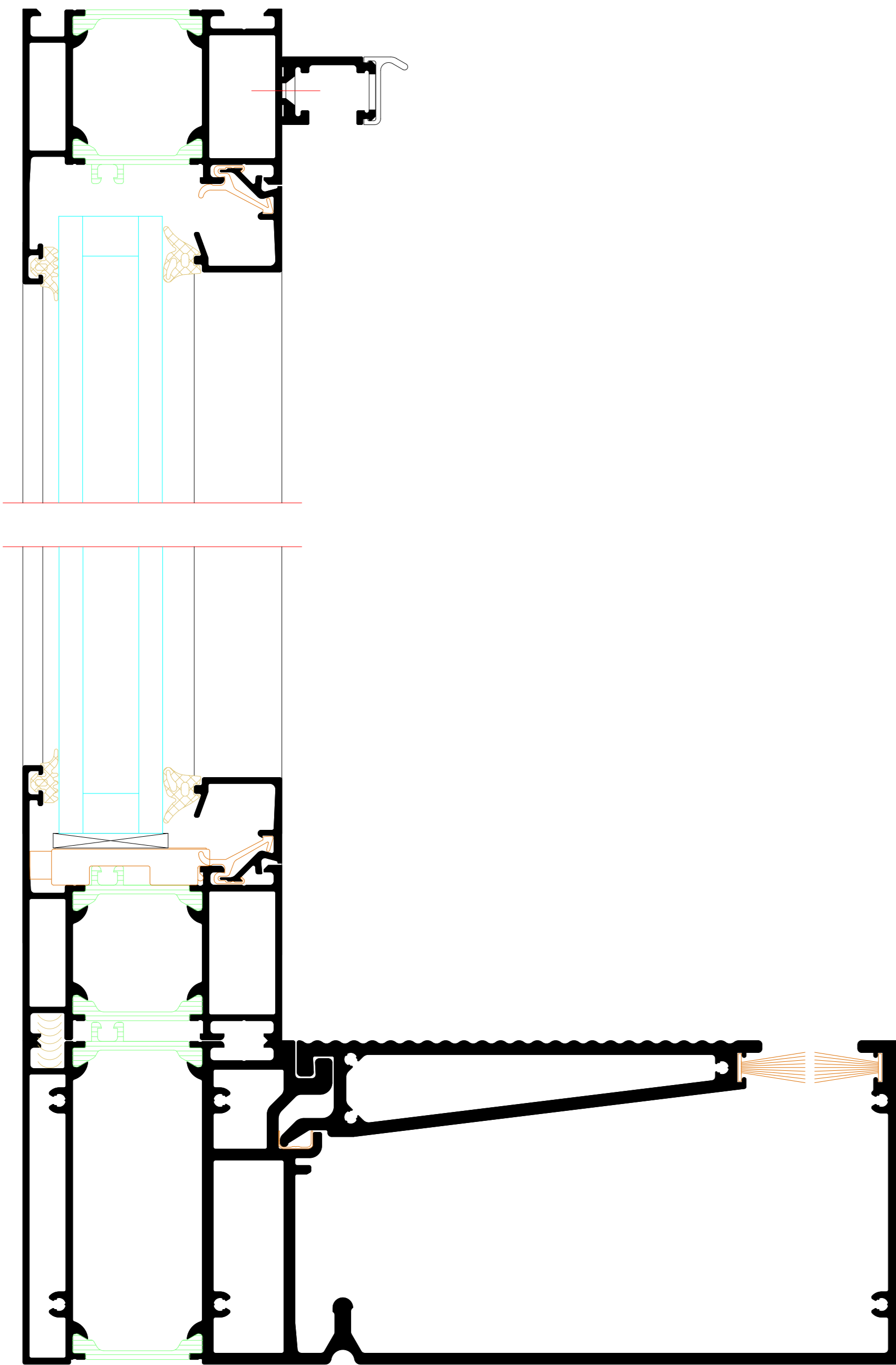
Typ 3
Type 3



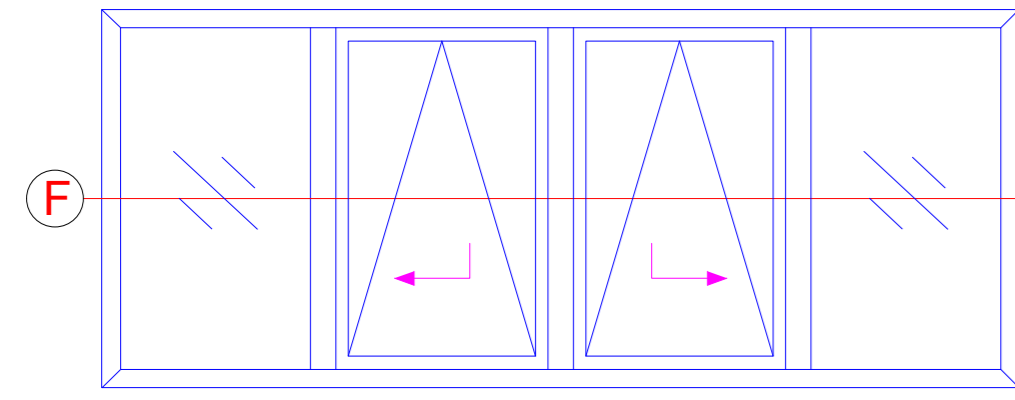
E



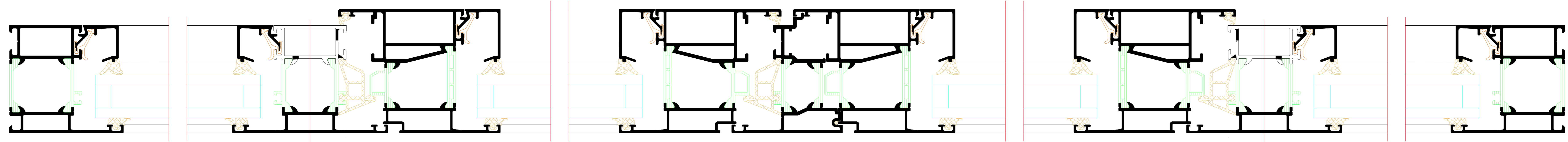
D



Typ 4
Type 4



F



NO.	DATE	REVISION	REVISION BY	DATE
01	01.01.2023	01	01	01.01.2023

Project: Riva Elementschelle
Riva L80 section details
Project: Riva
Product: Fenster RIVA AWS 65 PASK - Barrierefrei
Window RIVA AWS 65 Tilt&Turn - easy access

Project: Riva
Product: Fenster RIVA AWS 65 PASK - Barrierefrei
Window RIVA AWS 65 Tilt&Turn - easy access

BENEDICT + RIVA **BENEDICT + RIVA GmbH**
Hauptstraße 14
42699 Solingen, Germany

