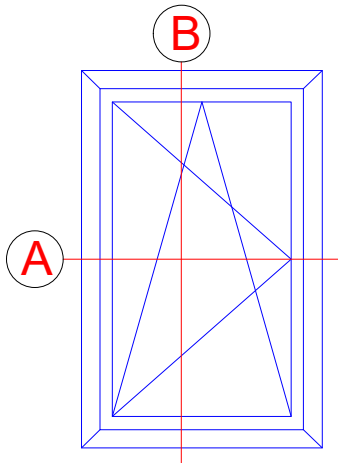


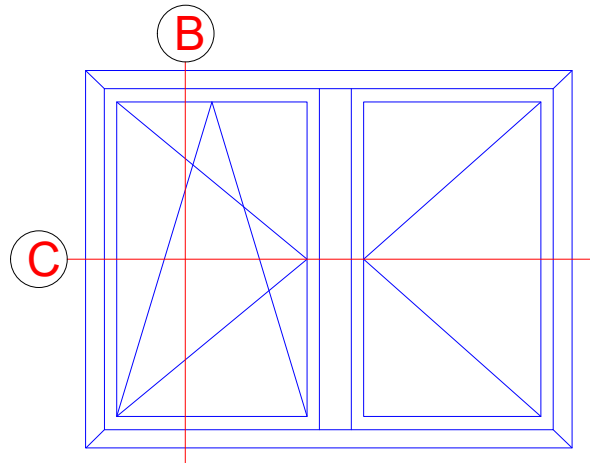
Einflügeliges Fenster

Single-vent window



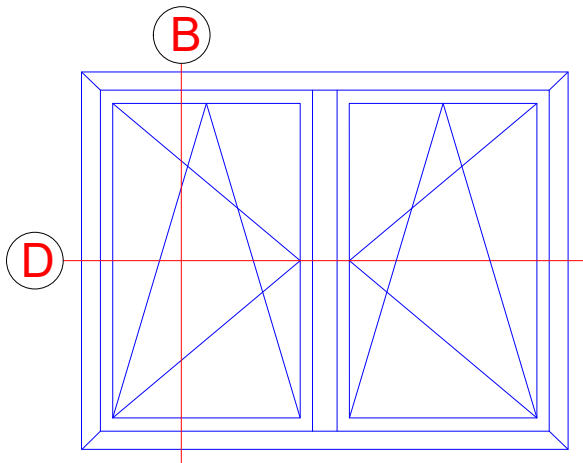
Stulpfenster

Double-vent window



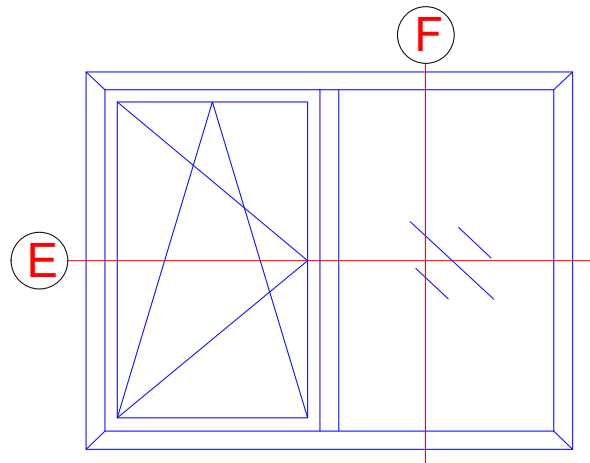
Zweiflügeliges Fenster

Vent + vent



Einflügeliges Fenster mit Festfeld

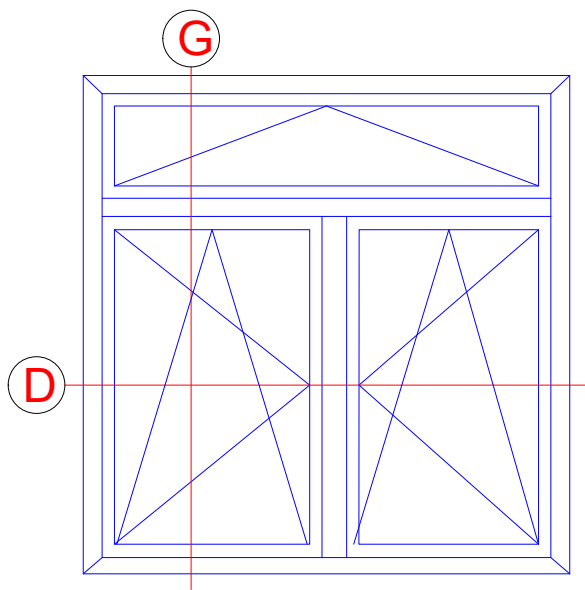
Single-vent window with fixed light



INDEX	DATUM	ÄNDERUNG	GEZEICHNET	GEPRÜFT
INDEX	DATE	CHANGE	DESIGNED BY	CHECKED BY
PLANINHALT PLAN CONTENT				DATUM DATE
Riva Elementbeispiele Riva Unit examples				
PROJEKT PROJECT				PROJEKT NR. PROJECT NR.
Fenster RIVA AWS 70.HI Innen öffnend Window RIVA AWS 70.HI inward opening				
BAUHERR CLIENT				
-				
PLANVERFASSER PLANNER				
BENEDICT + RIVA			BENEDICT + RIVA GmbH Rüchelstrasse 13 04229 Leipzig, Germany	
ANSPRECHPARTNER CONTACT PERSON		Matthias Anderle		
PLANART PLANNING TYPE	STATUS STATUS	PLANFORMAT FORMAT	MAßSTAB SCALE	GEZEICHNET DESIGNED BY
-	-	DIN A4	-	B.J.Ni
PLANNUMMER DOCUMENT NUMBER				
-				

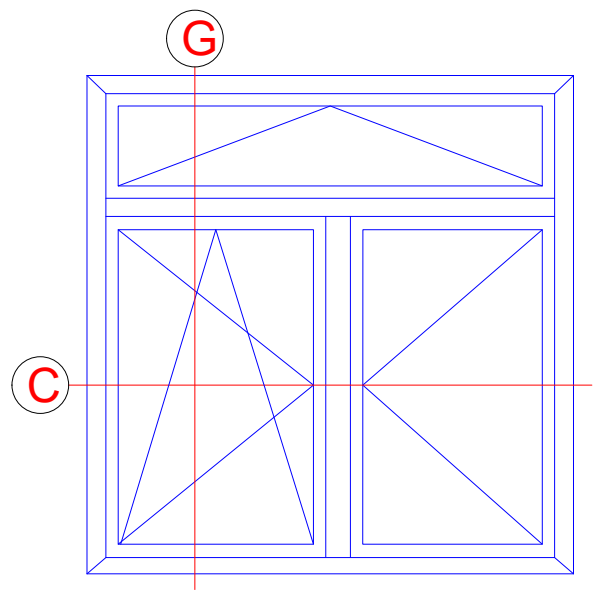
Zweiflügeliges Fenster mit Oberlicht

Vent + vent with toplight



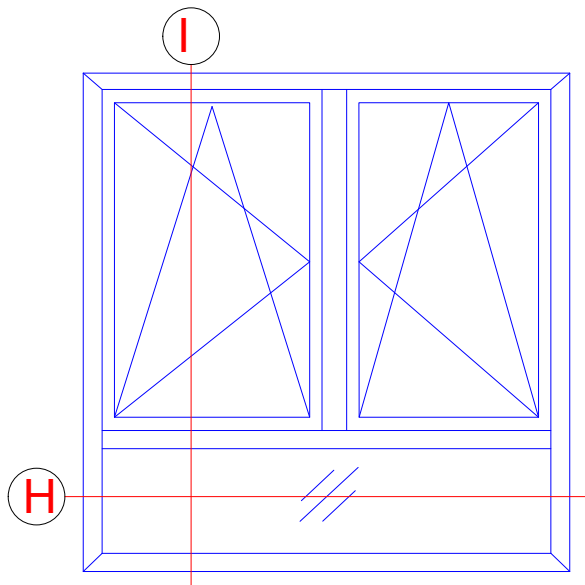
Stulpfenster mit Oberlicht

Double-vent window with toplight



Zweiflügeliges Fenster mit Unterlicht

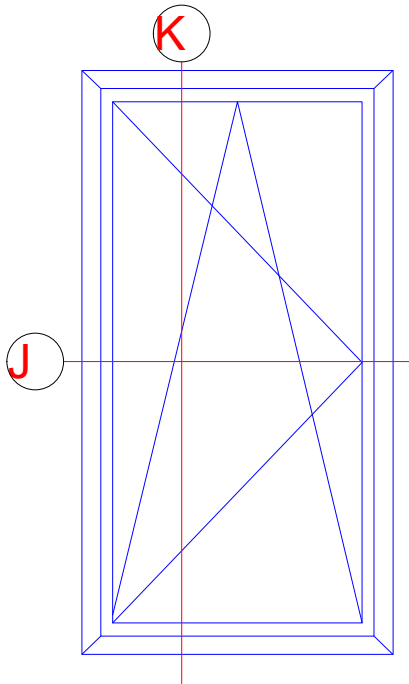
Vent + vent with bottom light



INDEX	DATUM	ÄNDERUNG	GEZEICHNET	GEPRÜFT
INDEX	DATE	CHANGE	DESIGNED BY	CHECKED BY
PLANINHALT PLAN CONTENT				DATUM DATE
Riva Elementbeispiele Riva Unit examples				
PROJEKT PROJECT				PROJEKT NR. PROJECT NR.
Fenster RIVA AWS 70.HI Innen öffnend Window RIVA AWS 70.HI inward opening				
BAUHERR CLIENT				
-				
PLANVERFASSER PLANNER				
BENEDICT + RIVA			BENEDICT + RIVA GmbH R5delstrasse 13 04229 Leipzig, Germany	
ANSPRECHPARTNER CONTACT PERSON		Matthias Anderle		
PLANART PLANNING TYPE	STATUS STATUS	PLANFORMAT FORMAT	MAßSTAB SCALE	GEZEICHNET DESIGNED BY
-	-	DIN A4	-	B.J.Ni
PLANNUMMER DOCUMENT NUMBER				
-				

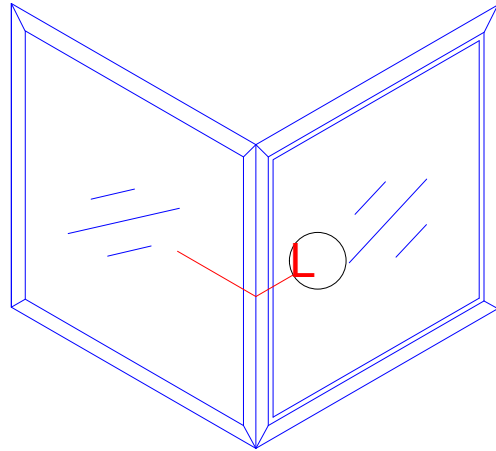
Fenstertür

Window door



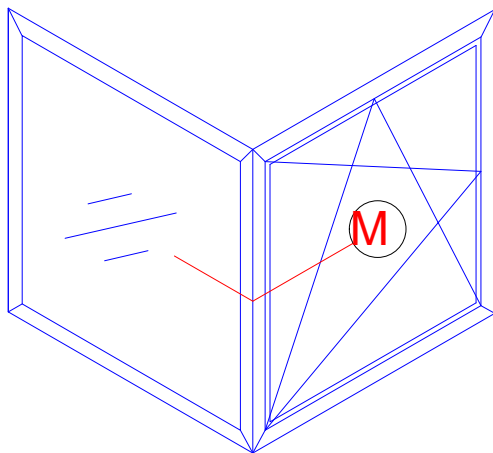
Außenecke 90°

90° outer corner



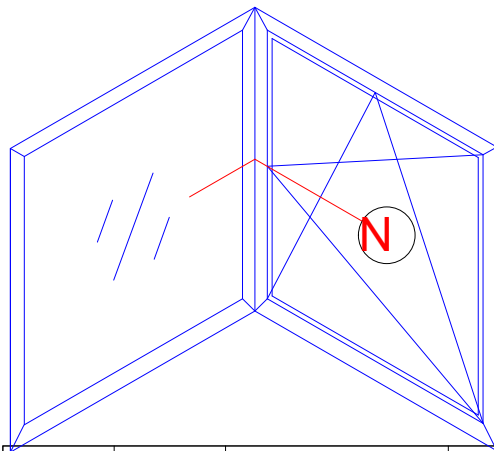
Außenecke mit Öffnungselement

Outer corner with opening unit



Innenecke mit Öffnungselement

Inner corner with opening unit



Einsatzelemente sind in Fassadensysteme zu finden

Insert units can be found in façade systems

INDEX	DATUM	ÄNDERUNG	GEZEICHNET	GEPRÜFT	
INDEX	DATE	CHANGE	DESIGNED BY	CHECKED BY	
-	-	-	-	-	
PLANINHALT PLAN CONTENT Riva Elementbeispiele Riva Unit examples				DATUM DATE	
PROJEKT PROJECT Fenster RIVA AWS 70.HI Innen öffnend Window RIVA AWS 70.HI inward opening				PROJEKT NR. PROJECT NR.	
BAUHERR CLIENT -					
PLANVERFASSER PLANNER BENEDICT + RIVA					
BENEDICT + RIVA GmbH R5delstrasse 13 04229 Leipzig, Germany					
ANSPRECHPARTNER CONTACT PERSON Matthias Anderle					
PLANART PLANNING TYPE -	STATUS STATUS -	PLANFORMAT FORMAT DIN A4	MAßSTAB SCALE -	GEZEICHNET DESIGNED BY B.J.Ni	GEPRÜFT CHECKED BY M.A.
PLANNUMMER DOCUMENT NUMBER -					

Technische Informationen

Technical information

Prüfungen und Normen**

Tests and standards **

Wärmedämmung nach DIN EN ISO 1077-2 Thermal insulation in accordance with DIN EN ISO 1077-2	U_f = 1,5 - 1,9 W/(m²K)
Schalldämmung nach DIN EN ISO 140-3 Sound reduction in accordance with DIN EN ISO 140-3	bis R _w 48 dB Up to R _w 48 dB
Einbruchhemmung nach DIN V ENV 1627 (DIN EN 1627) Burglar resistance in accordance with DIN V ENV 1627 (DIN EN 1627)	Klasse WK3 (RC3) Class WK3 (RC 3)
Luftdurchlässigkeit nach DIN EN 12207 Air permeability in accordance with DIN EN 12207	Klasse 4 Class 4
Schlagregendichtheit nach DIN EN 12208 Watertightness in accordance with DIN EN 12208	Klasse 9A Class 9A
Windlastwiderstand nach DIN EN 12210* Wind load resistance in accordance with DIN EN 12210	Klasse C5/B5 Class C5/B5
Mechanische Beanspruchung nach DIN EN 13115 Mechanical loading in accordance with DIN EN 13115	Klasse 4 Class 4
Dauerfunktion nach DIN EN 12400 Durability in accordance with DIN EN 12400	Klasse 3 Class 3

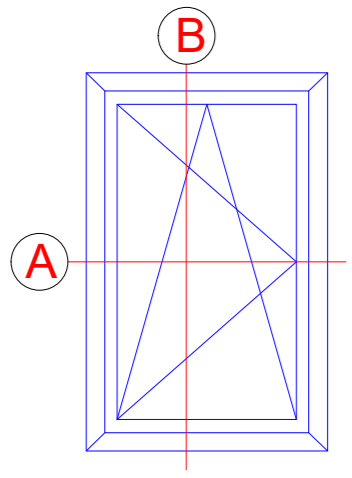
* Durchbiegungsverhalten profilabhängig
The amount of deflection will depend on the profile

** Die Angaben beschreiben die Bestwerte des Gesamtsystems.
Die Eigenschaften einer jeweils gewählten Ausführungsvariante oder Elementkombination sind im Einzelfall anhand der ausführlichen Prüfdokumentation zu bestimmen.
The information describes the optimum values of the entire system.
The properties of a selected design option or unit combination have to be determined individually based on the comprehensive test documentation.

INDEX	DATUM	ÄNDERUNG	GEZEICHNET	GEPRÜFT	
INDEX	DATE	CHANGE	DESIGNED BY	CHECKED BY	
PLANINHALT				DATUM	
PLAN CONTENT				DATE	
Riva Technische Informationen					
Riva Technical information					
PROJEKT				PROJEKT NR.	
PROJECT				PROJECT NR.	
Fenster RIVA AWS 70.HI Innen öffnend					
Window RIVA AWS 70.HI inward opening					
BAUHERR					
CLIENT					
-					
PLANVERFASSER					
PLANNER					
BENEDICT + RIVA			BENEDICT + RIVA GmbH		
			Rüdelstrasse 13		
			04229 Leipzig, Germany		
ANSPRECHPARTNER		Matthias Anderle			
CONTACT PERSON					
PLANART	STATUS	PLANFORMAT	MAßSTAB	GEZEICHNET	GEPRÜFT
PLANNING TYPE	STATUS	FORMAT	SCALE	DESIGNED BY	CHECKED BY
-	-	DIN A4	-	B.J.Ni	M.A.
PLANNUMMER					
DOCUMENT NUMBER					
-					



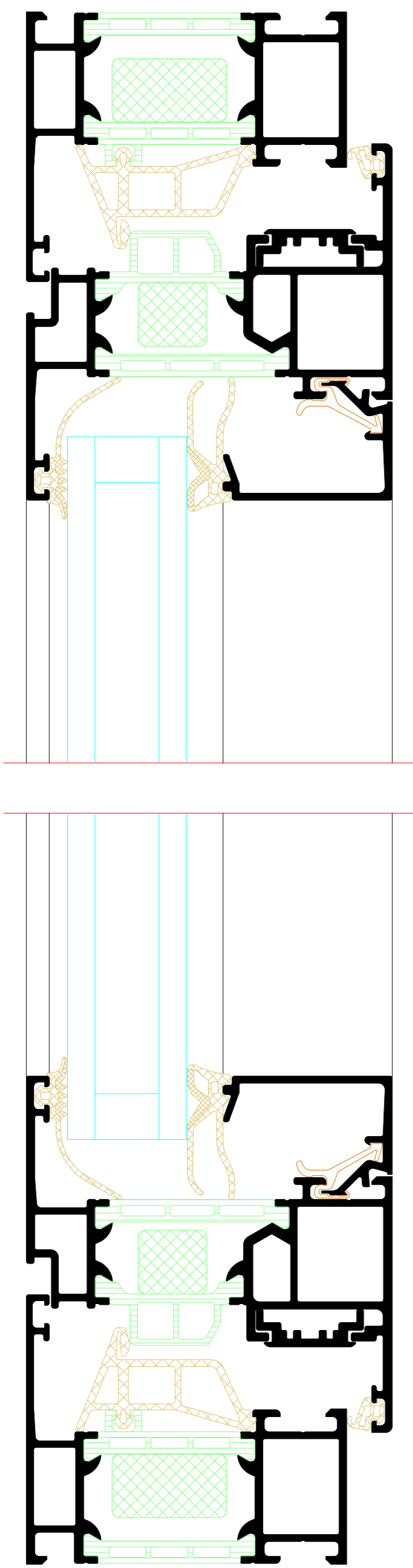
Einflügeliges Fenster
Single-vent window



A

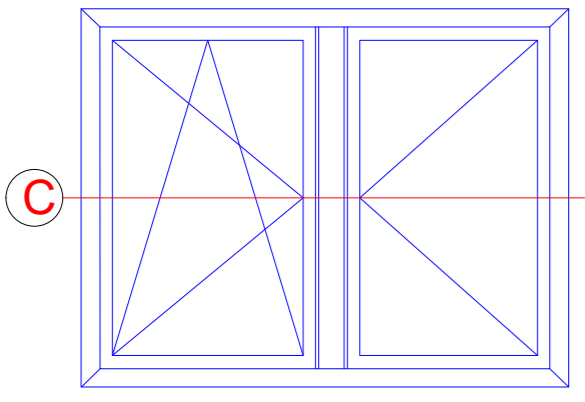


B

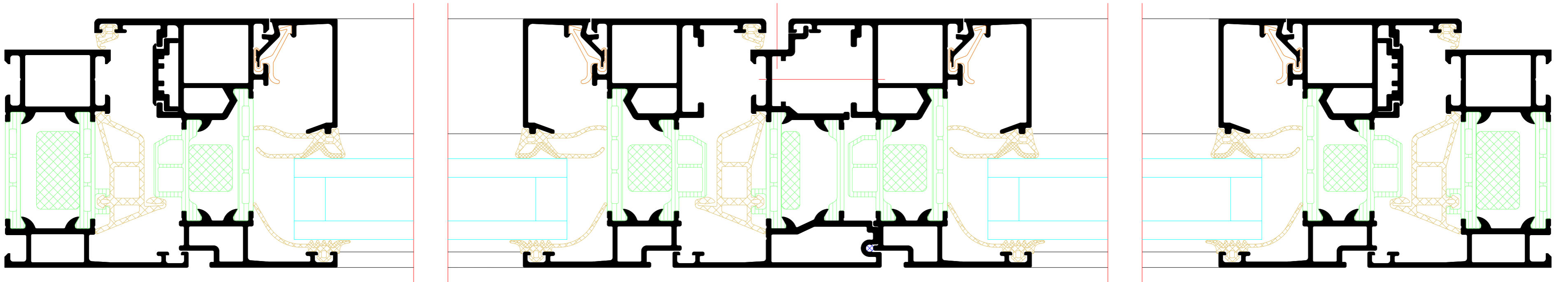


INDEX	DATE	REVISION	DESIGNED BY	CHECKED BY
PLANNING				
PLANNING				
Riva Elementenschnitte Riva Unit section details				
PROJECT	Fenster RIVA AWS 70 HI Innen öffnend Window RIVA AWS 70 HI inward opening			PROJECT NO. PROJECT NO.
OWNER	CLIENT			
PLANNING	PLANNING			
BENEDICT + RIVA <small>BENEDICT + RIVA GmbH Rödelstraße 19 04229 Leipzig, Germany</small>				
PLANNING	STATUS	PLANNING	SCALE	DESIGNED BY
PLANNING	STATUS	PLANNING	SCALE	DESIGNED BY
PLANNING	STATUS	PLANNING	SCALE	DESIGNED BY
PLANNING	STATUS	PLANNING	SCALE	DESIGNED BY

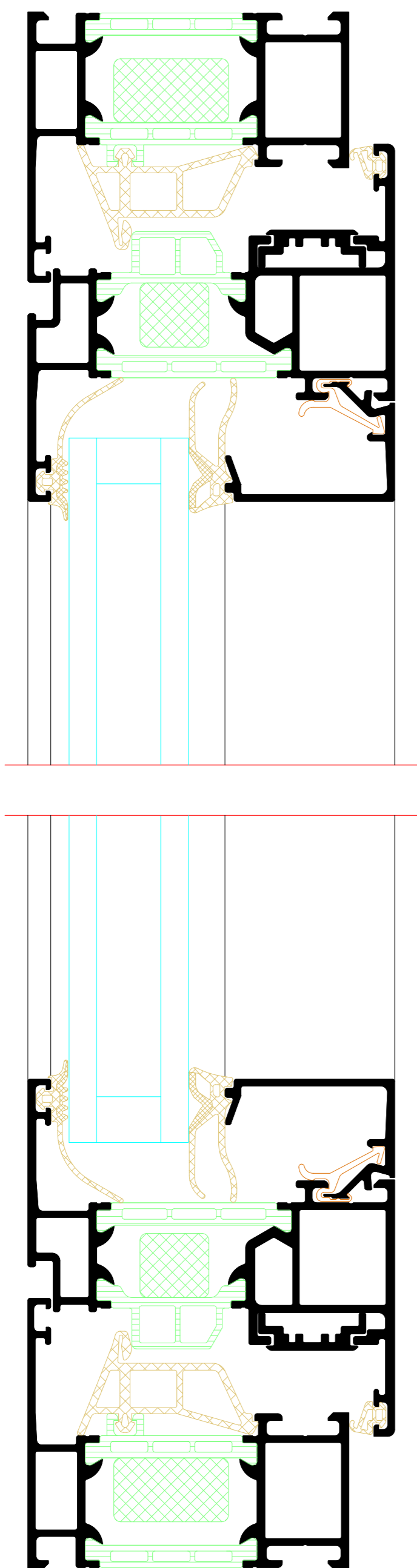
Stulpfenster
Double-vent window



C

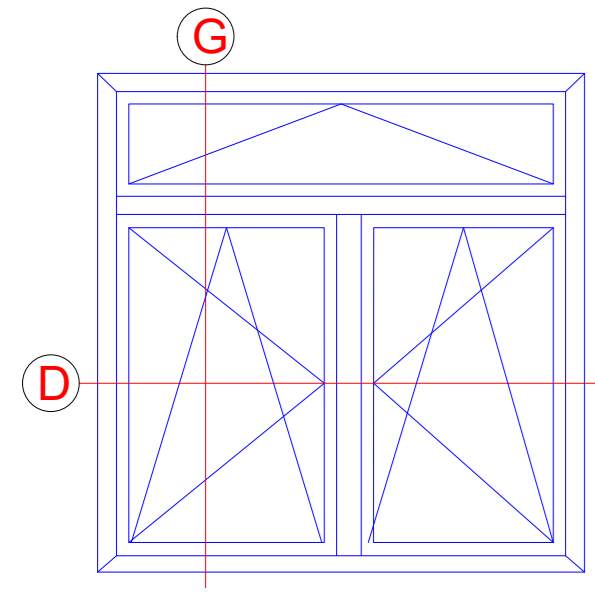


B

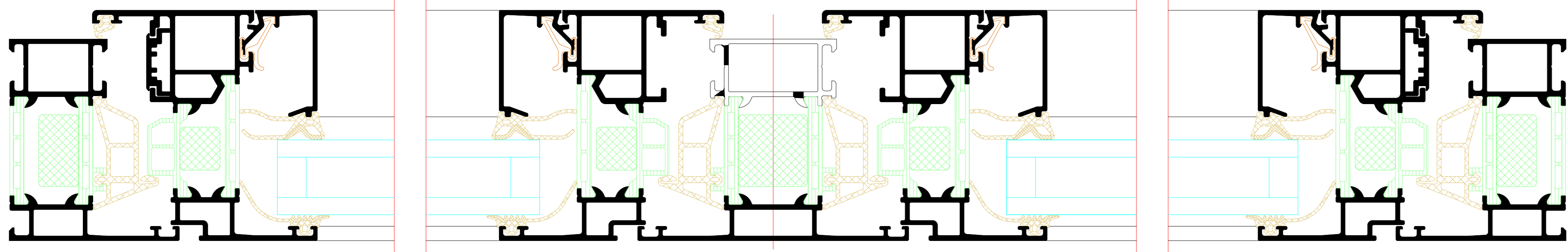


INDEX	DATE	ANDBRING	GEZEICHNET	GEPRÜFT
INDEX	DATE	CHANGE	DESIGNED BY	CHECKED BY
PLANWAZZEL PLAN CONTACT				
Riva Elementschritte Riva Unit section details				
PROJECT	Fenster RIVA AWS 70.HI Innen öffnend Window RIVA AWS 70.HI inward opening			PROJECT MK
ARCHITE	CLIENT			PROJECT MK
PLANVERFASSER PLANNER				
BENEDICT + RIVA				
BENEDICT + RIVA GmbH Rüdigerstrasse 19 04229 Leipzig, Germany				
ANSCHREIBPARTNER	Markus Andrich			
PLANSET	STATUS	PLANFORMAT	MASSSTAB	GEZEICHNET
PLANNING TYPE	STATUS	FORMAT	SCALE	DESIGNED BY
PLANUMBER	STATUS	FORMAT	SCALE	DESIGNED BY
DOCUMENT NUMBER				CHECKED BY
				N/A.

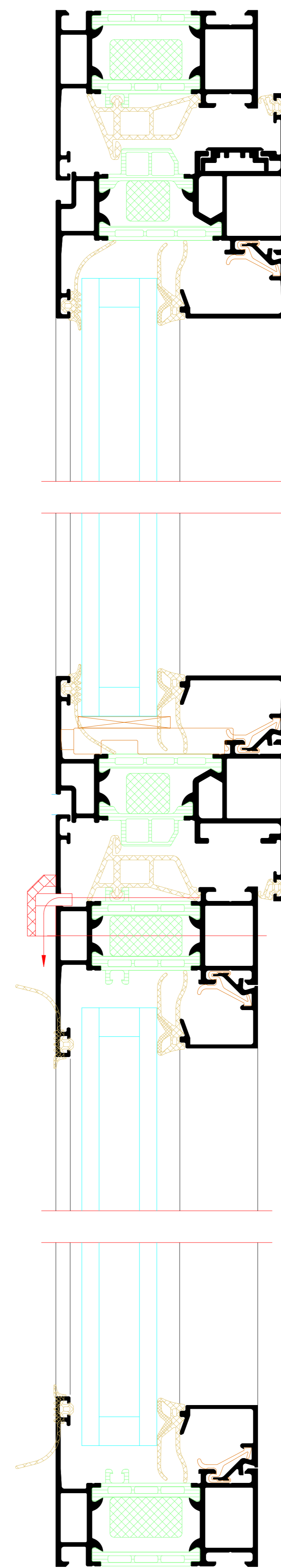
Zweiflügeliges Fenster mit Oberlicht
 Vent + vent with toplight

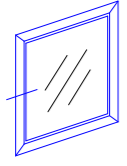


D

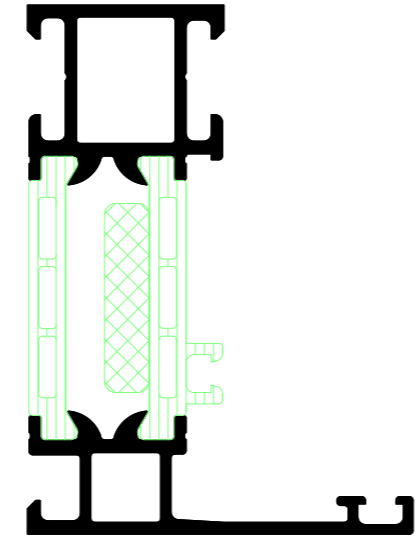
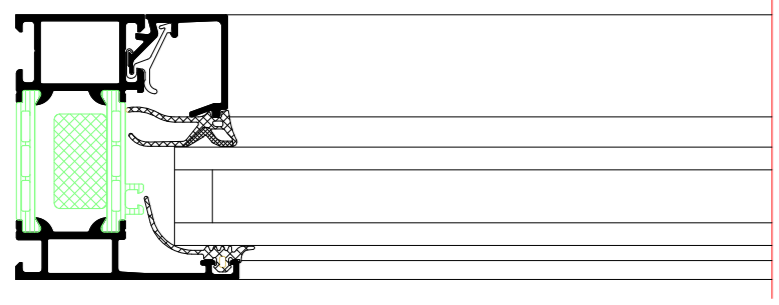


G

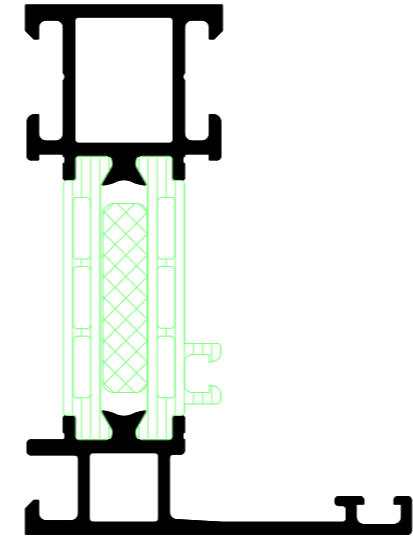




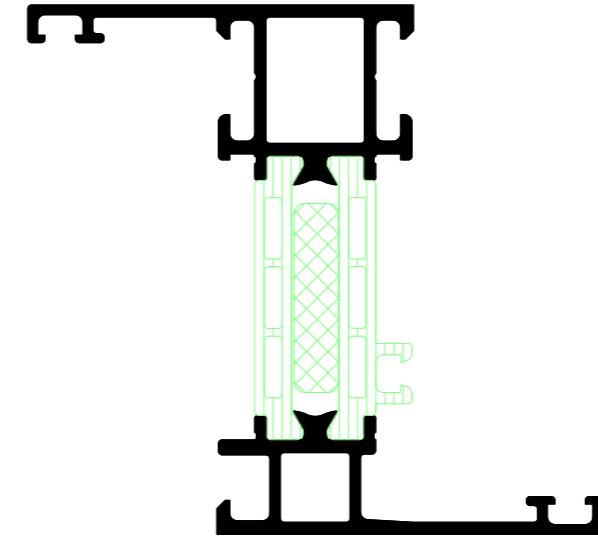
Blendrahmenprofil
Outer frame profile



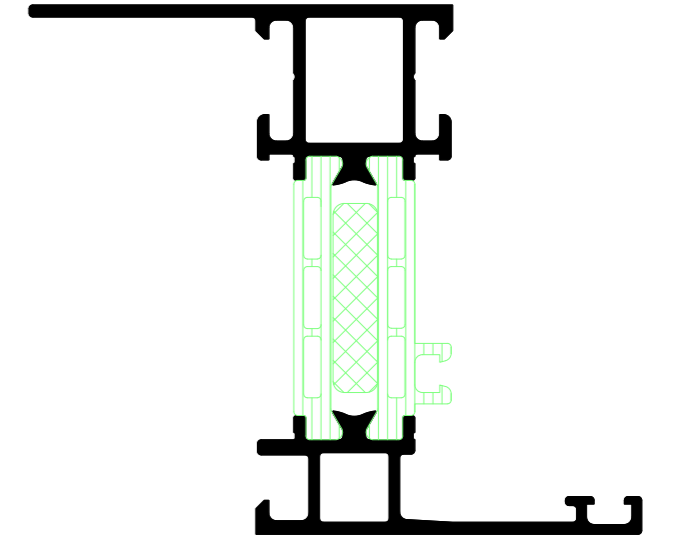
51



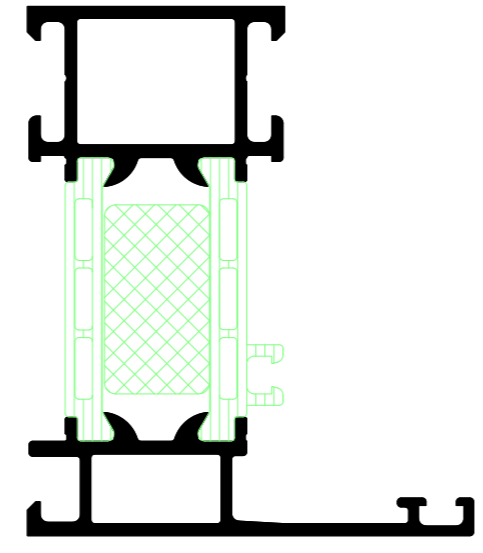
51



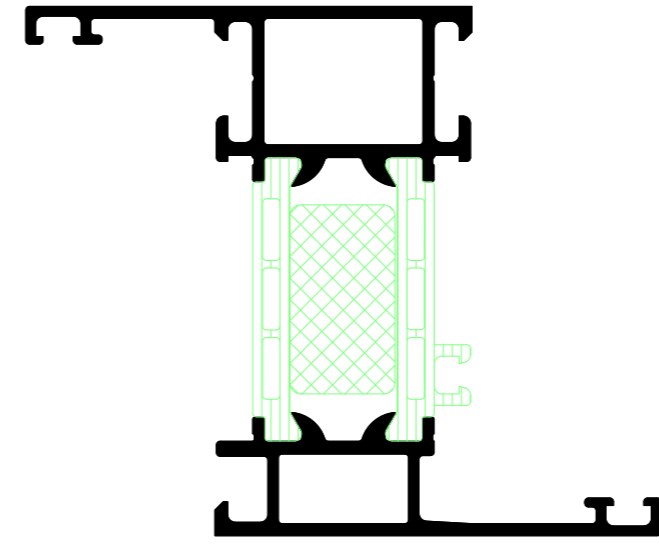
51



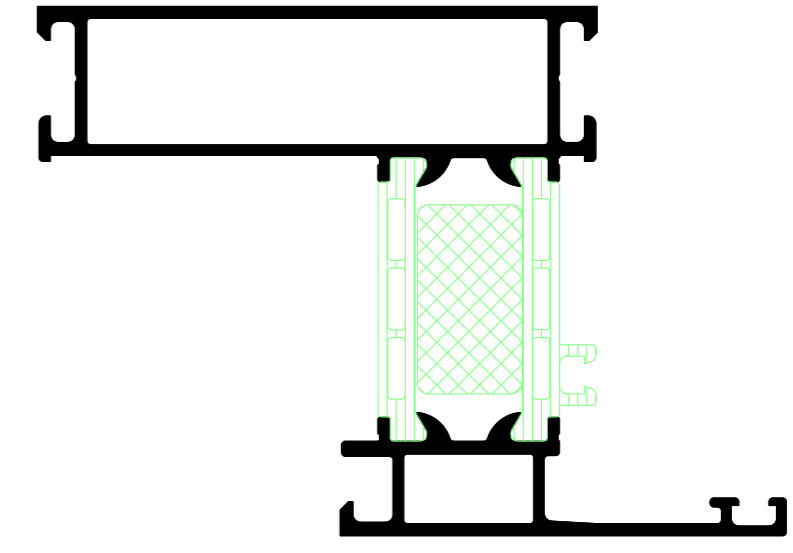
51



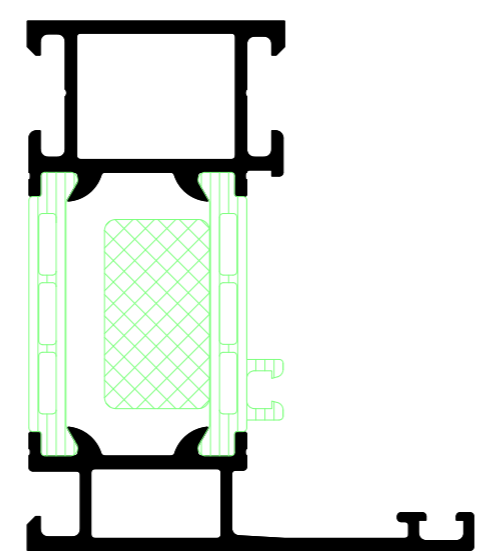
59



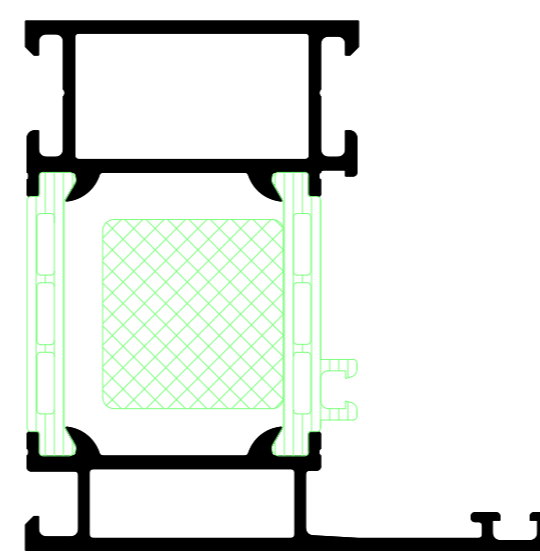
59



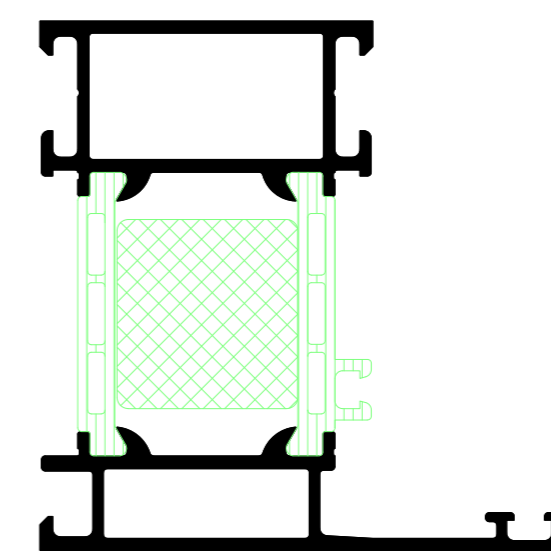
59



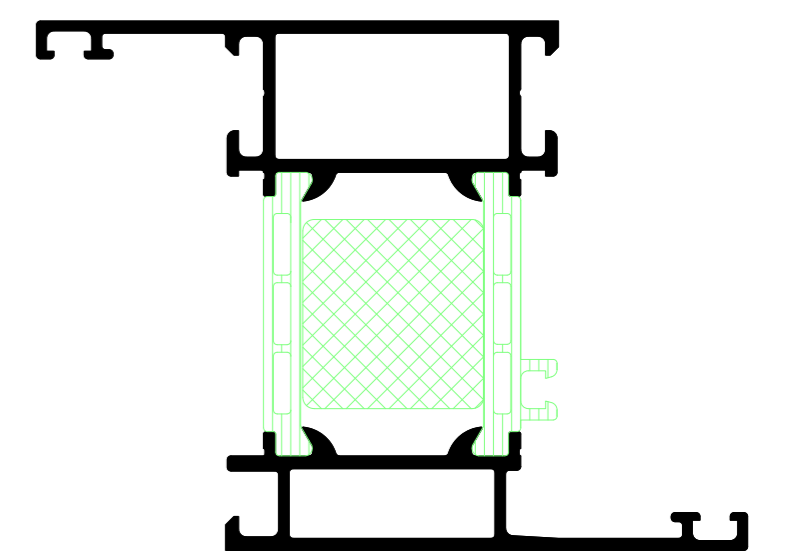
59



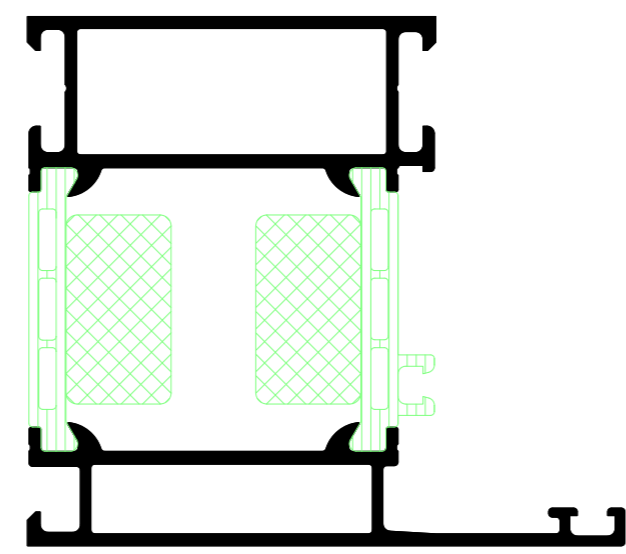
69



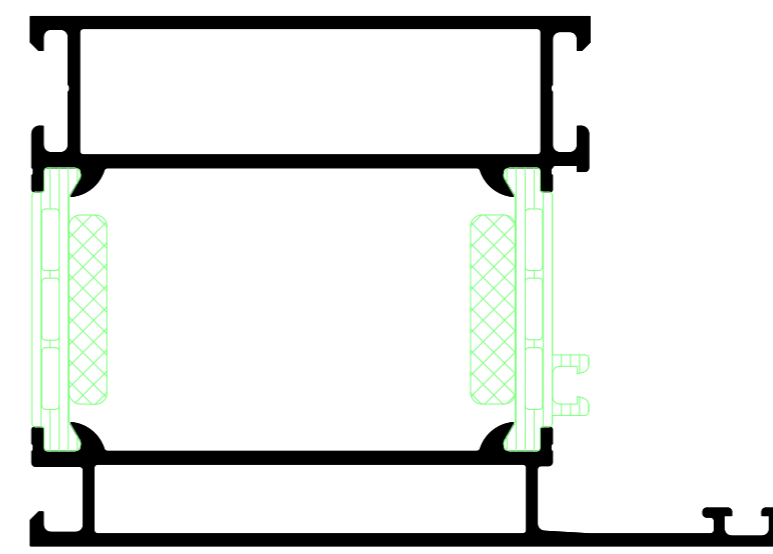
69



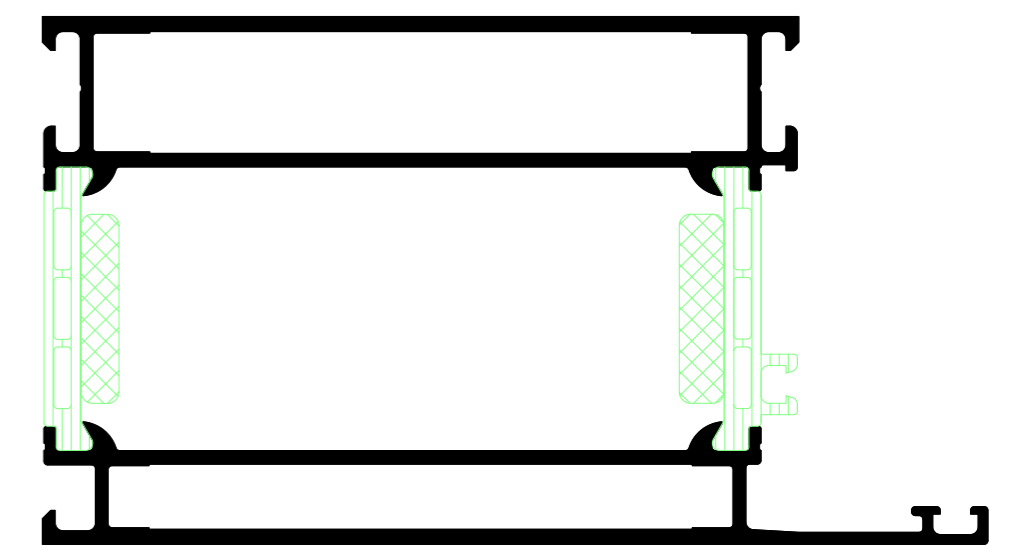
69



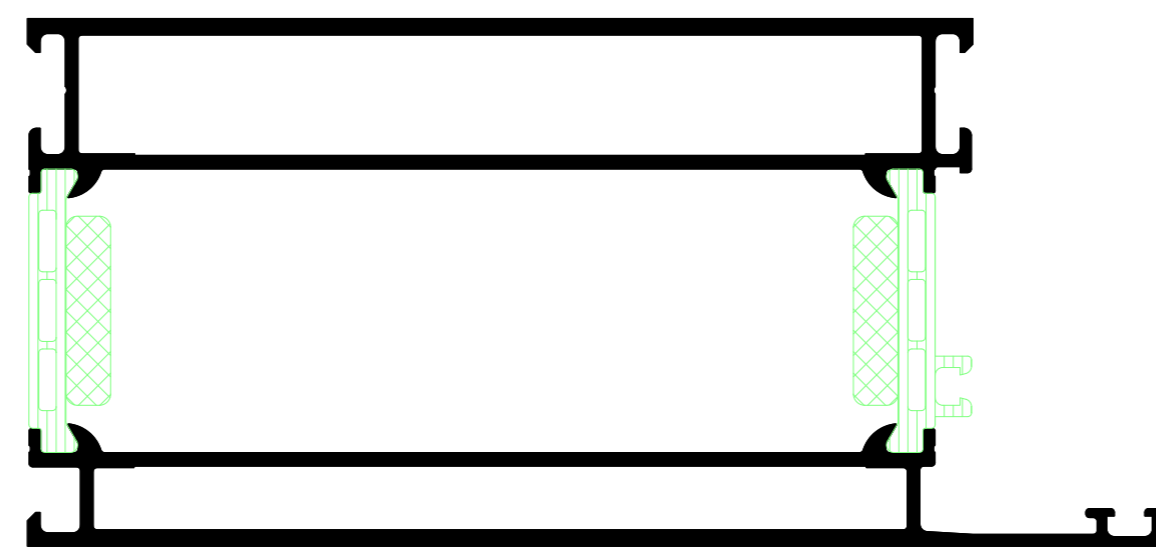
79



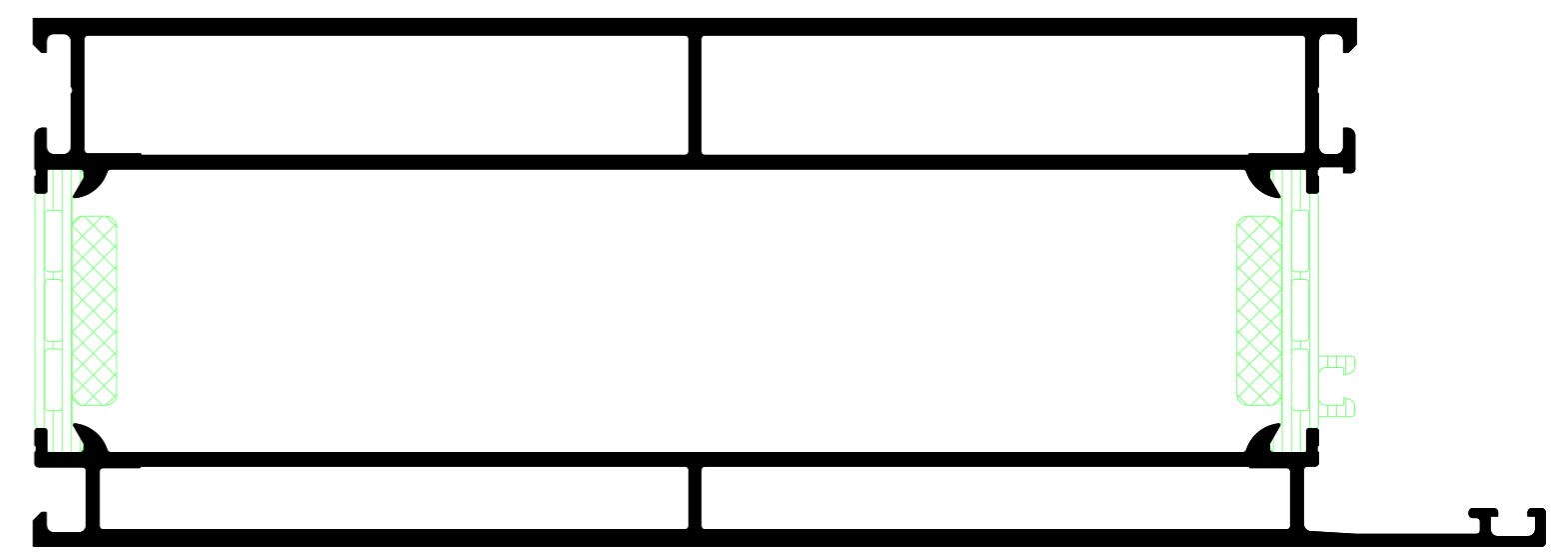
99



125



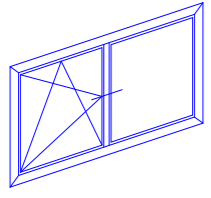
150



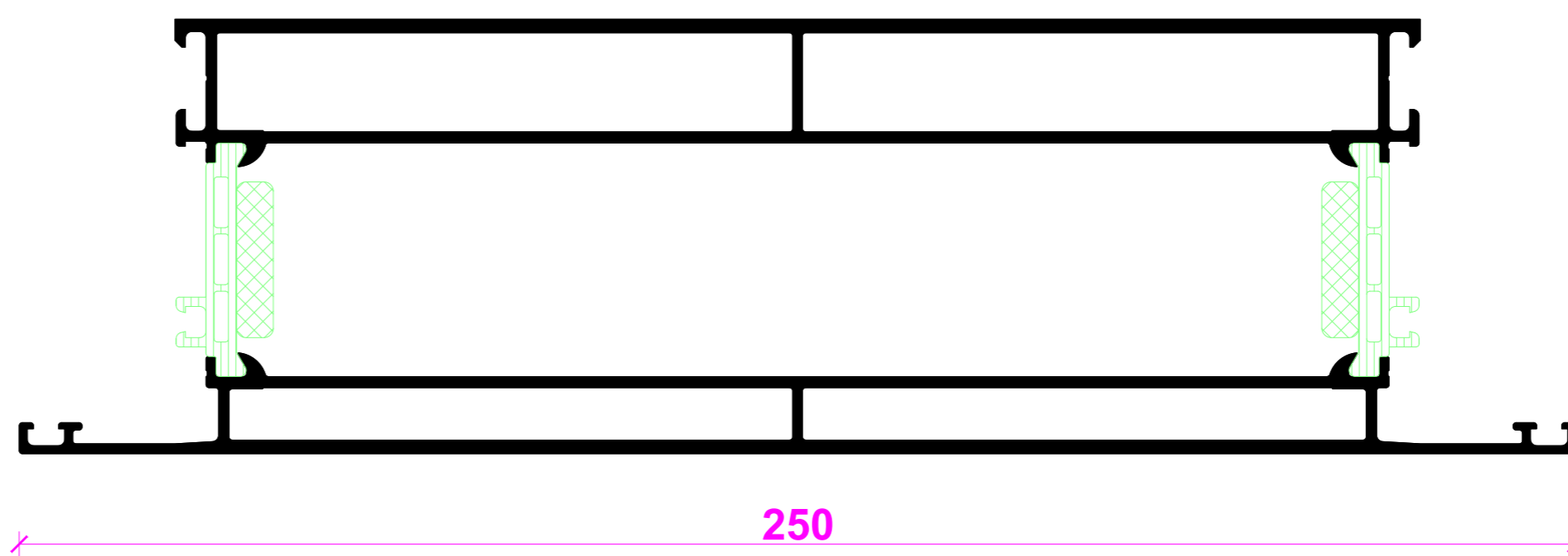
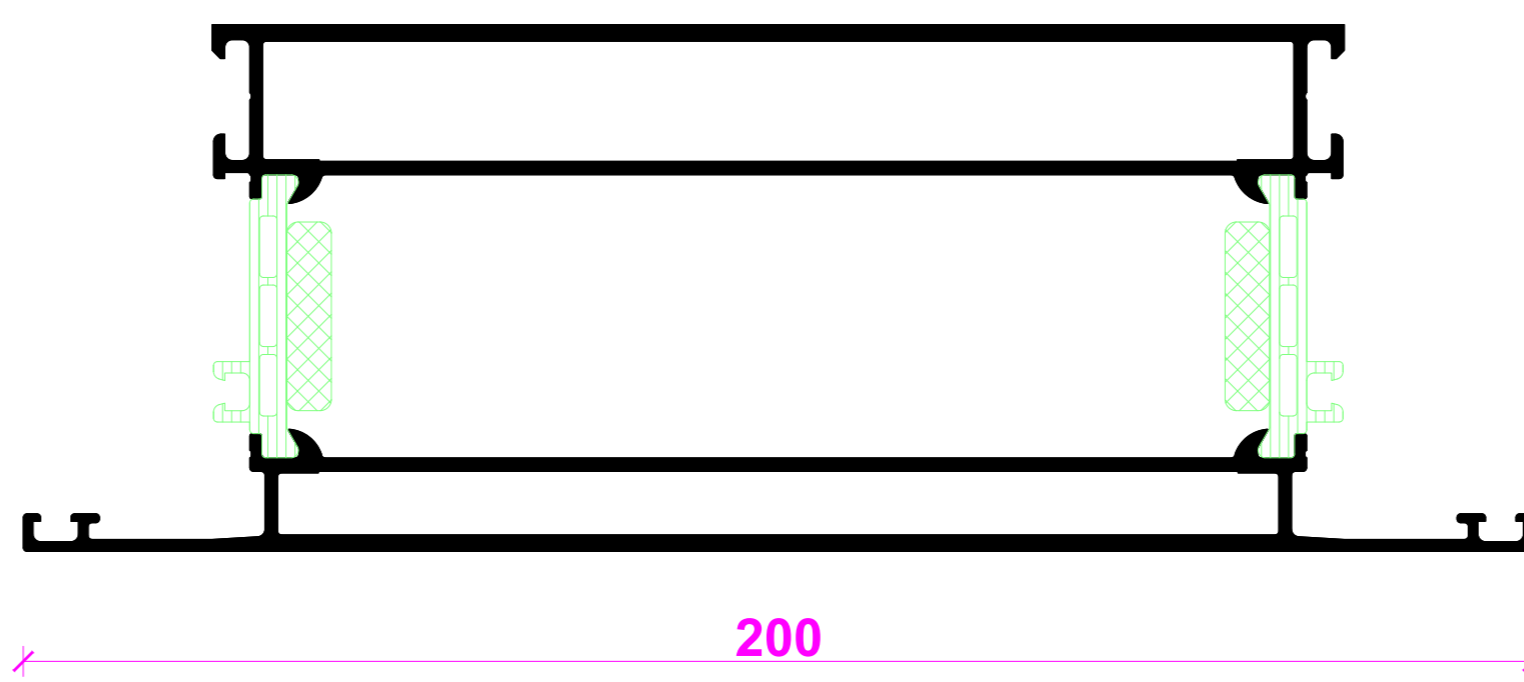
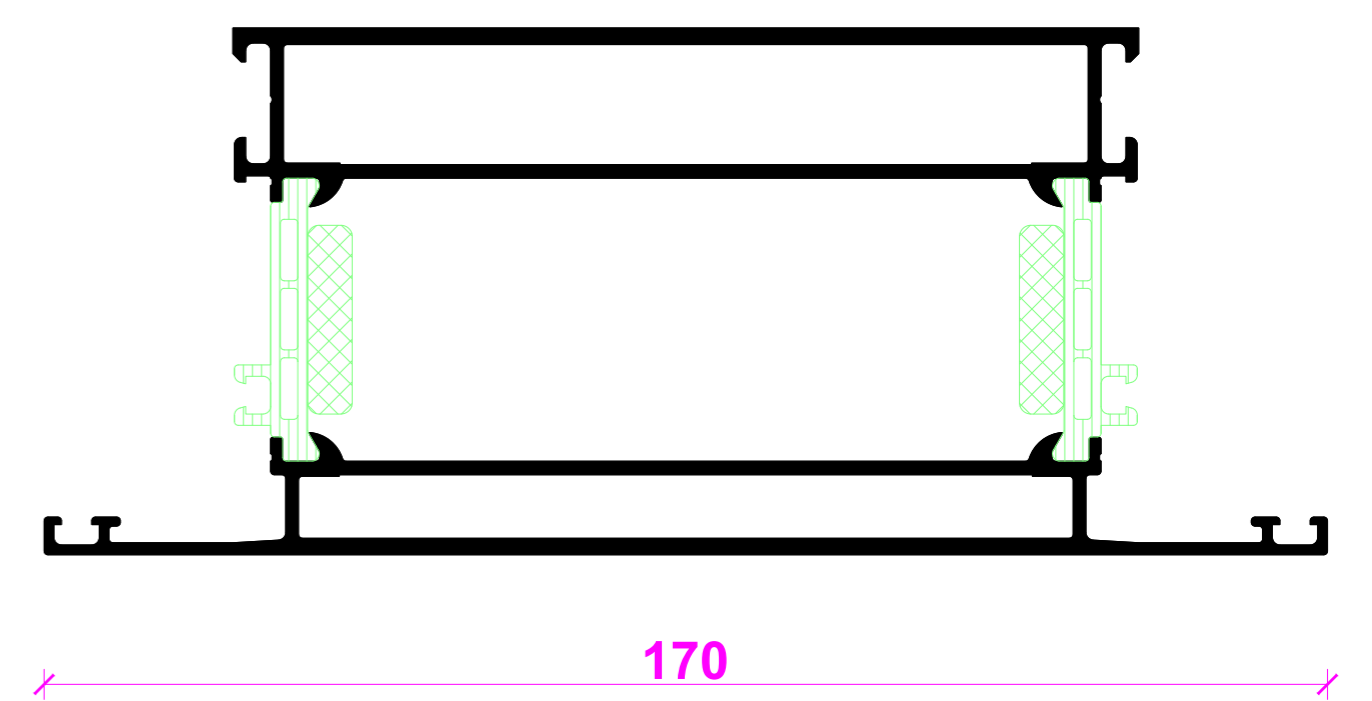
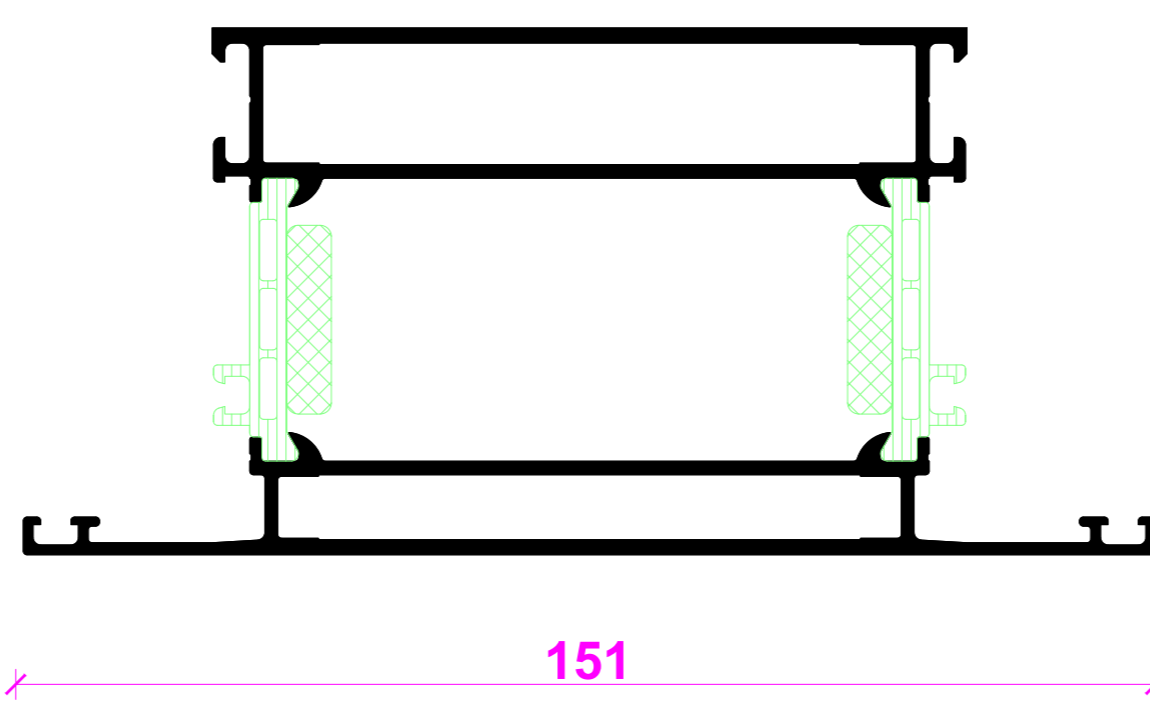
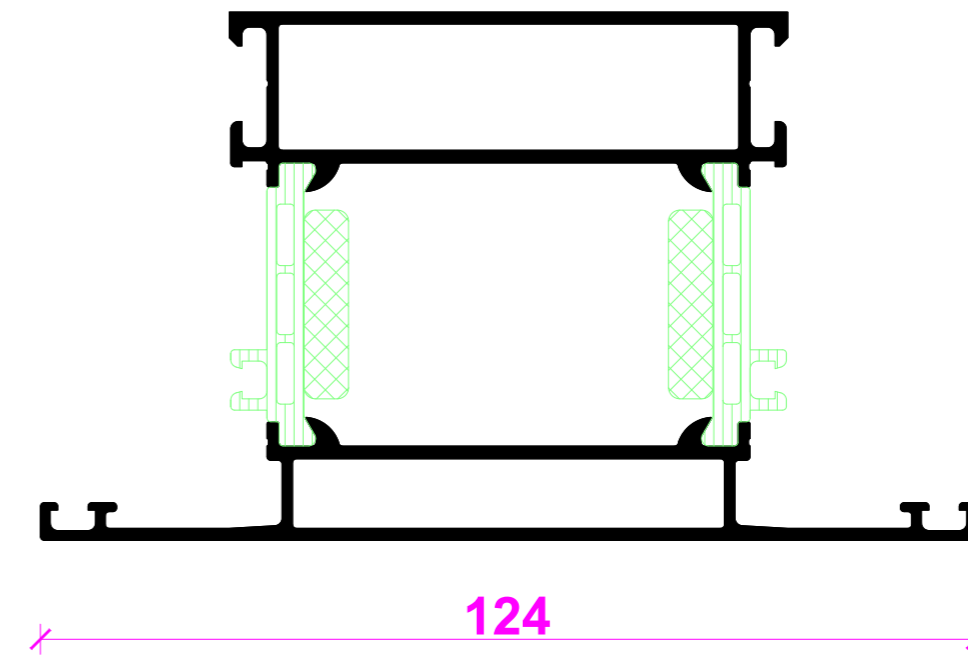
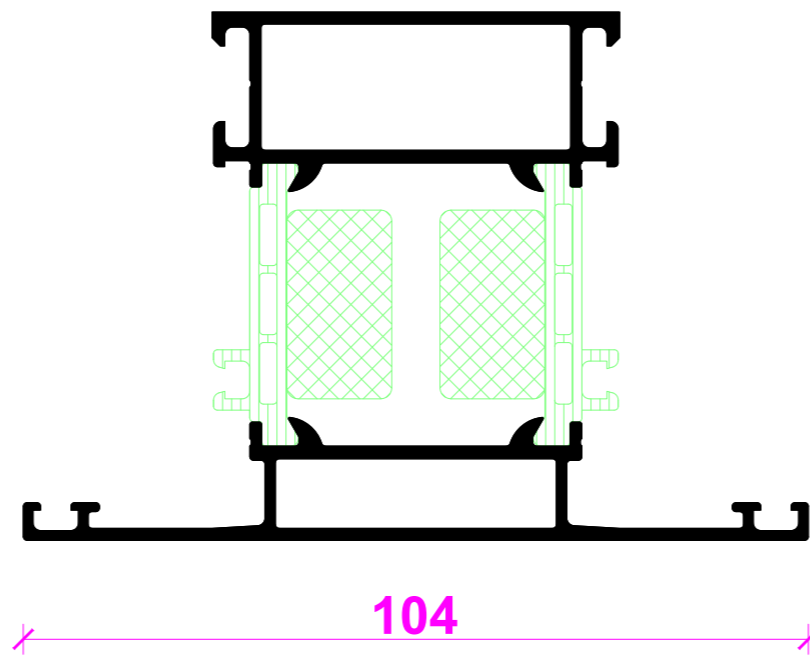
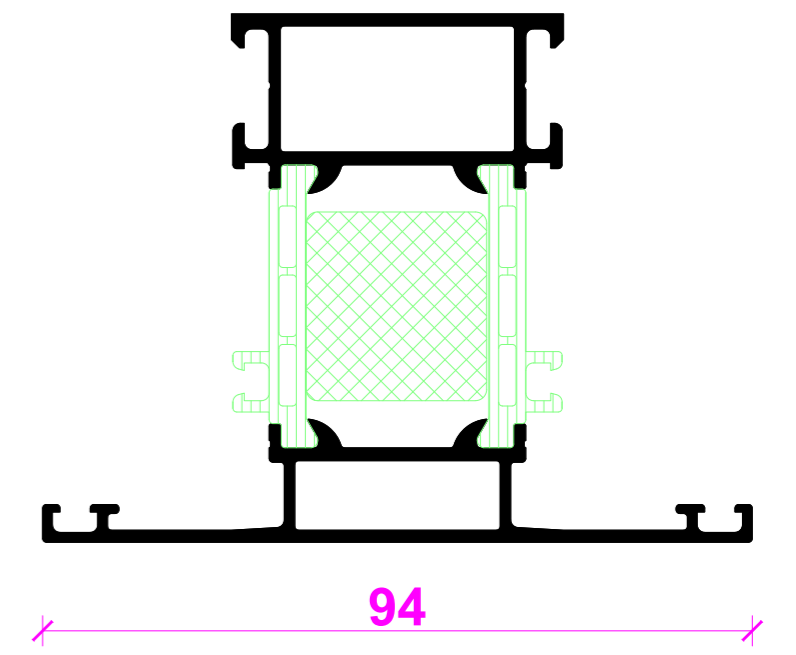
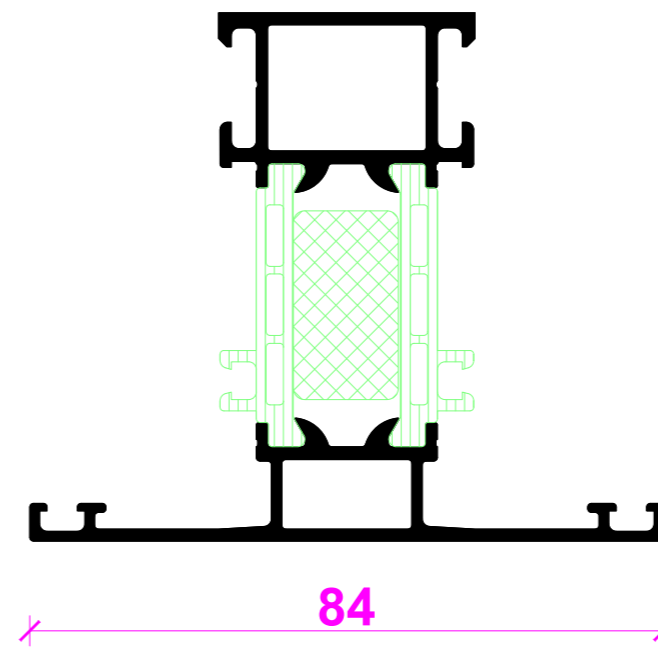
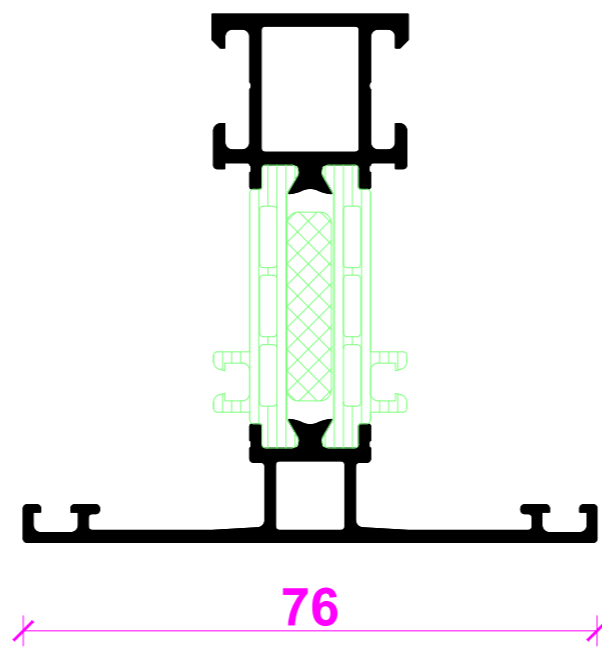
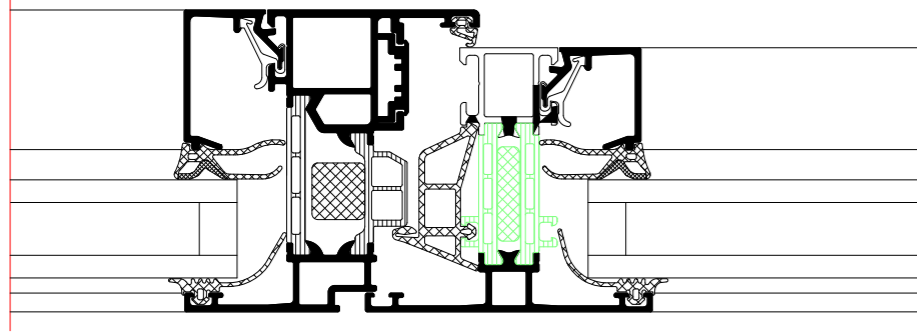
200

BENEDICT
+ RIVA

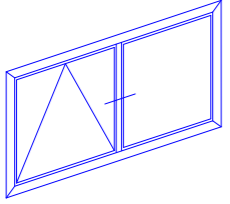
INDEX	DATE	REVISION	DESIGNED BY	CHECKED BY
PLANNING				
PLANNING				
PROJECT				
Fenster RIVA AWS 70 HI Innen öffend				
Window RIVA AWS 70 HI inward opening				
DRAWER				
CLEAR				
PLANNING				
BENEDICT + RIVA				
BENEDICT + RIVA GmbH Rödelstraße 19 04229 Leipzig, Germany				
CONTACT PERSON	STATUS	PLANNING	SCALE	DESIGNED BY
PLANNING TYPE	STATUS	PLANNING	SCALE	DESIGNED BY
PLANNING NUMBER	DOCUMENT NUMBER			



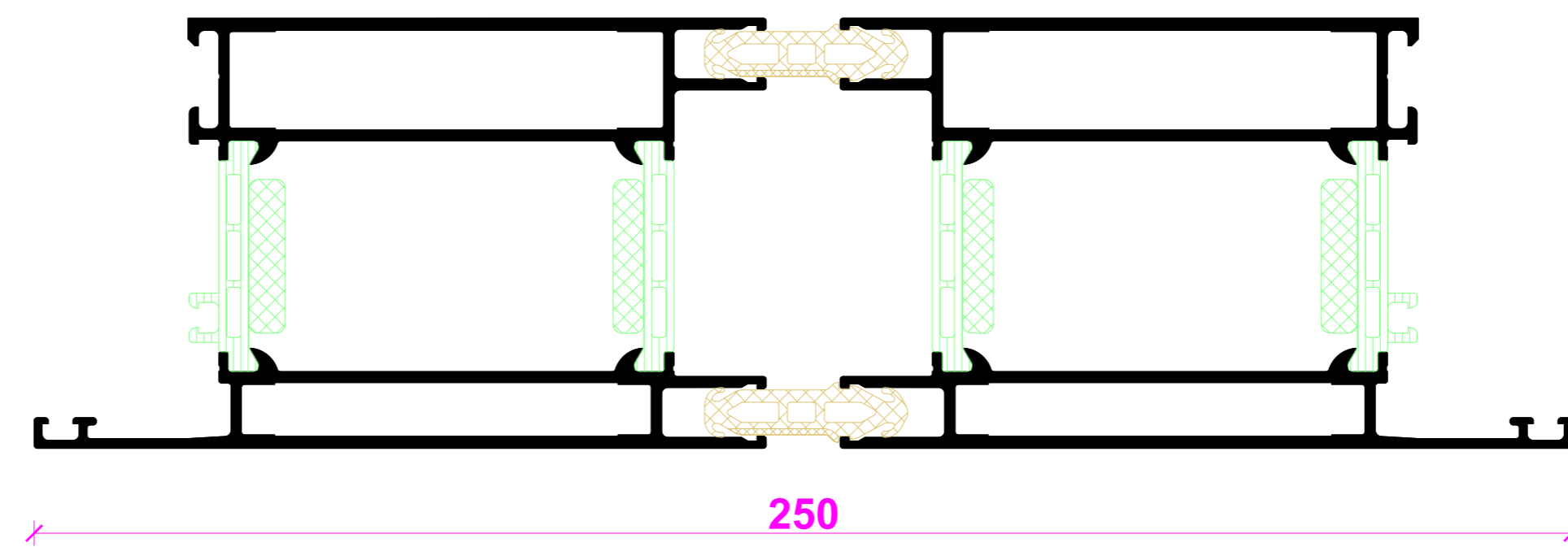
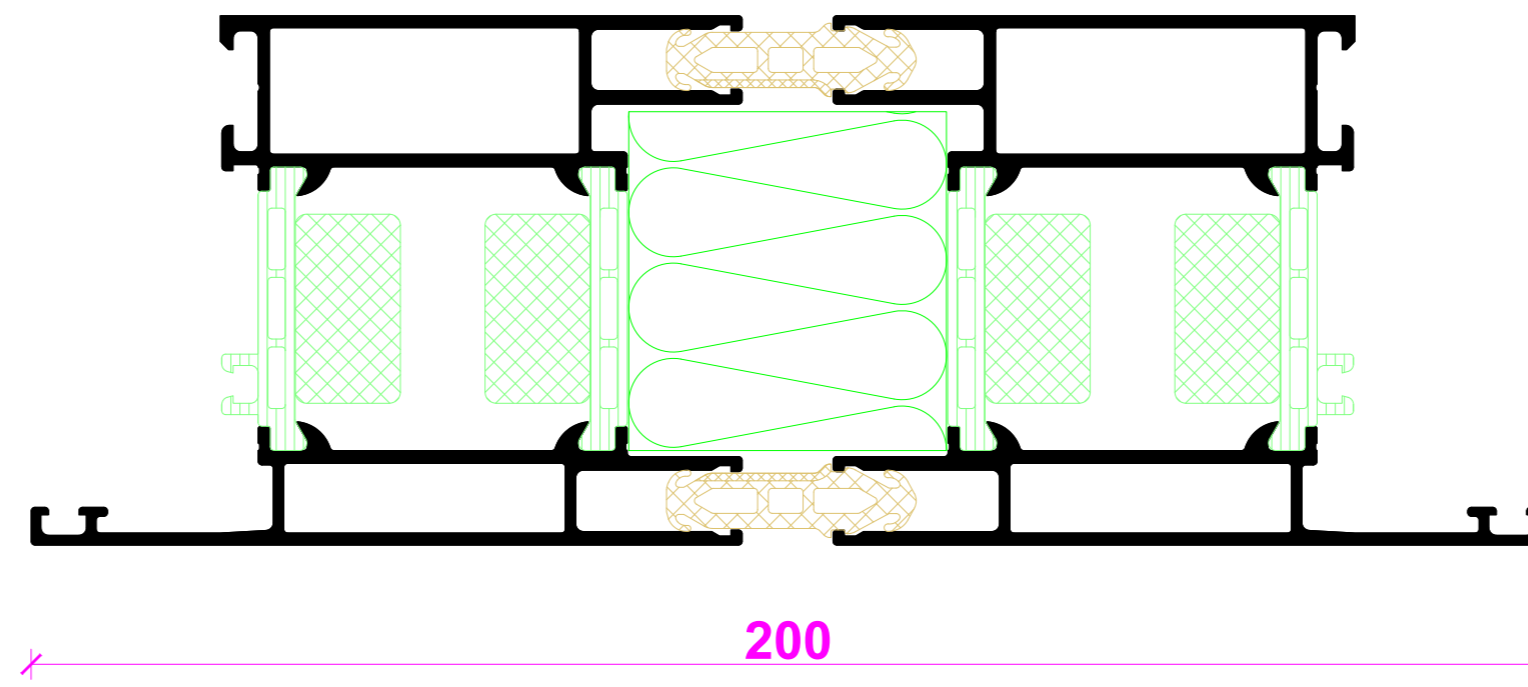
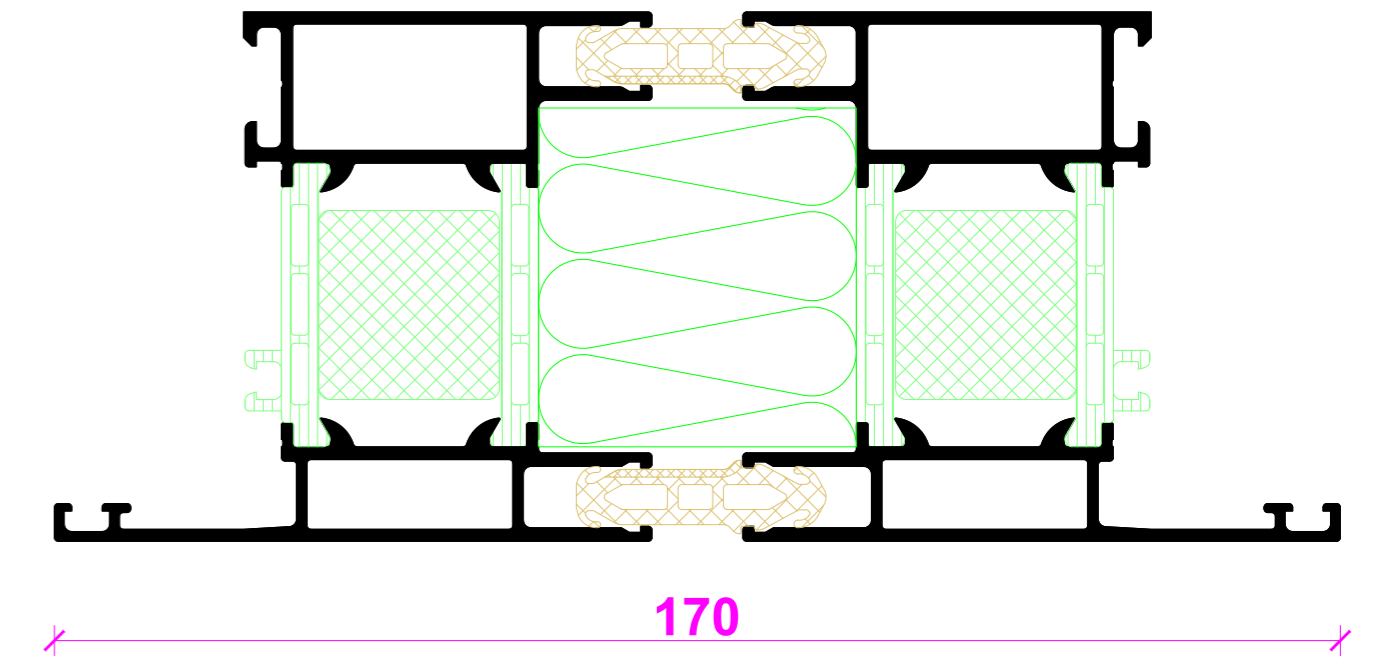
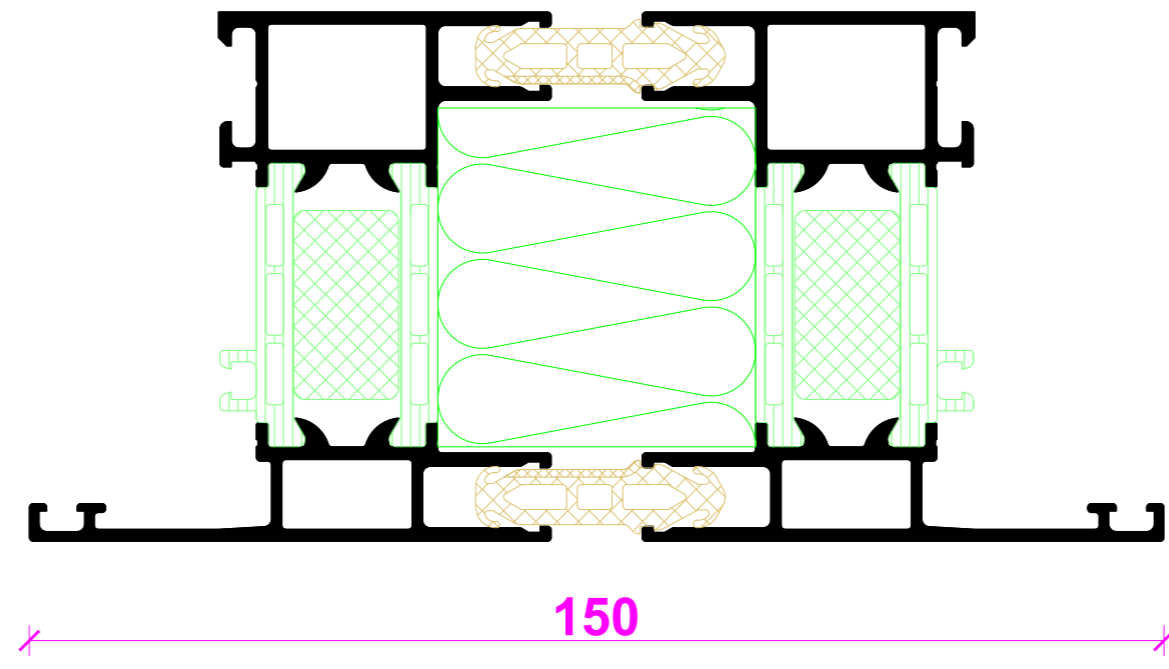
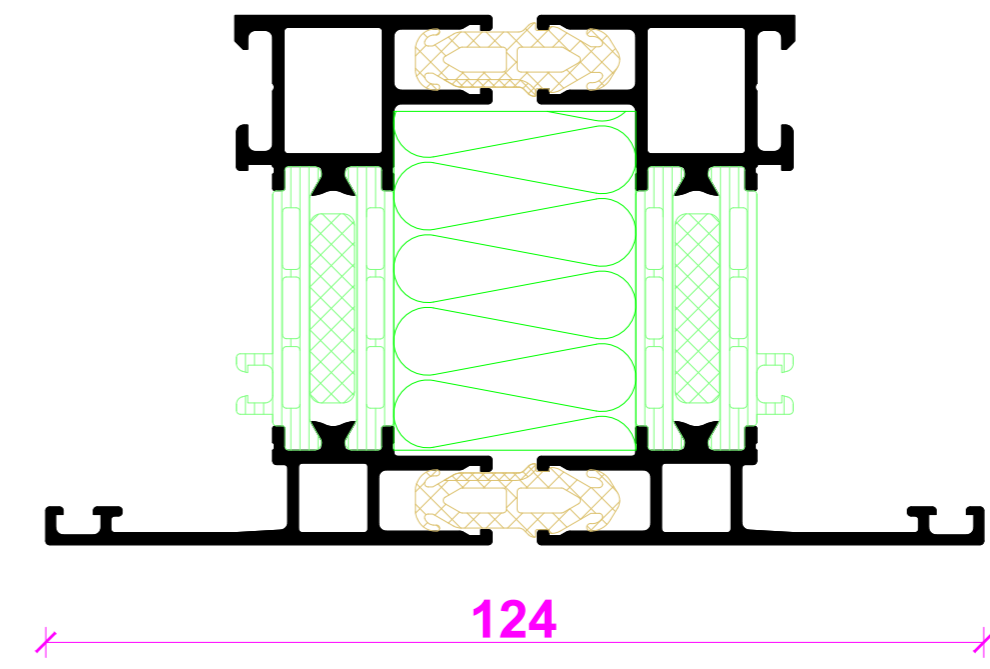
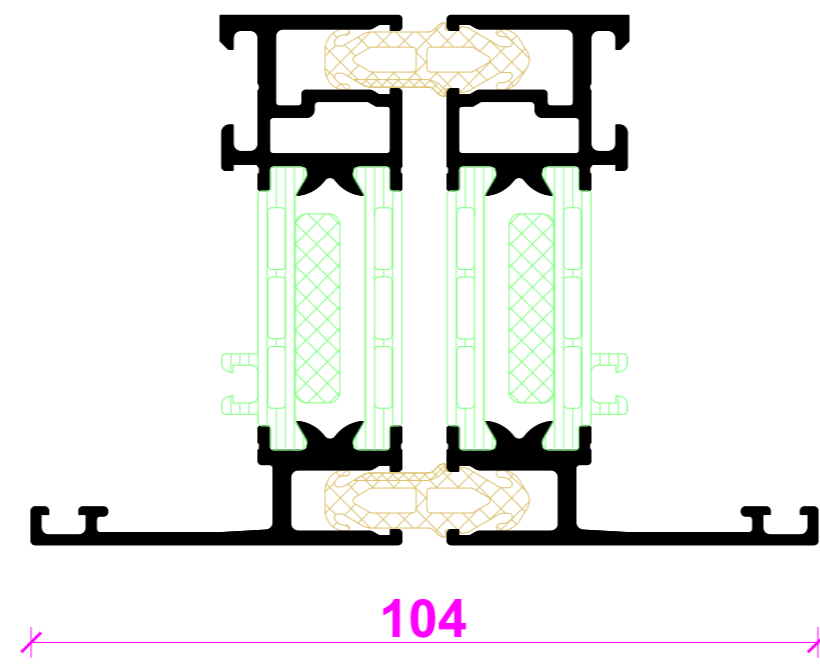
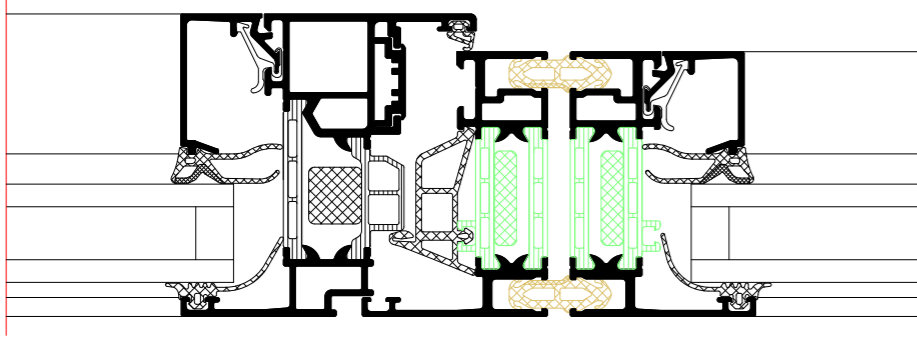
Riegel / Pfosten
Transom/mullion



NO.	DATE	DESCRIPTION	DESIGNED BY	CHECKED BY
1		PLANNING		
2		PLANNING		
3		PLANNING		
4		PLANNING		
5		PLANNING		
6		PLANNING		
7		PLANNING		
8		PLANNING		
9		PLANNING		
10		PLANNING		
11		PLANNING		
12		PLANNING		
13		PLANNING		
14		PLANNING		
15		PLANNING		
16		PLANNING		
17		PLANNING		
18		PLANNING		
19		PLANNING		
20		PLANNING		
21		PLANNING		
22		PLANNING		
23		PLANNING		
24		PLANNING		
25		PLANNING		
26		PLANNING		
27		PLANNING		
28		PLANNING		
29		PLANNING		
30		PLANNING		
31		PLANNING		
32		PLANNING		
33		PLANNING		
34		PLANNING		
35		PLANNING		
36		PLANNING		
37		PLANNING		
38		PLANNING		
39		PLANNING		
40		PLANNING		
41		PLANNING		
42		PLANNING		
43		PLANNING		
44		PLANNING		
45		PLANNING		
46		PLANNING		
47		PLANNING		
48		PLANNING		
49		PLANNING		
50		PLANNING		
51		PLANNING		
52		PLANNING		
53		PLANNING		
54		PLANNING		
55		PLANNING		
56		PLANNING		
57		PLANNING		
58		PLANNING		
59		PLANNING		
60		PLANNING		
61		PLANNING		
62		PLANNING		
63		PLANNING		
64		PLANNING		
65		PLANNING		
66		PLANNING		
67		PLANNING		
68		PLANNING		
69		PLANNING		
70		PLANNING		
71		PLANNING		
72		PLANNING		
73		PLANNING		
74		PLANNING		
75		PLANNING		
76		PLANNING		
77		PLANNING		
78		PLANNING		
79		PLANNING		
80		PLANNING		
81		PLANNING		
82		PLANNING		
83		PLANNING		
84		PLANNING		
85		PLANNING		
86		PLANNING		
87		PLANNING		
88		PLANNING		
89		PLANNING		
90		PLANNING		
91		PLANNING		
92		PLANNING		
93		PLANNING		
94		PLANNING		
95		PLANNING		
96		PLANNING		
97		PLANNING		
98		PLANNING		
99		PLANNING		
100		PLANNING		

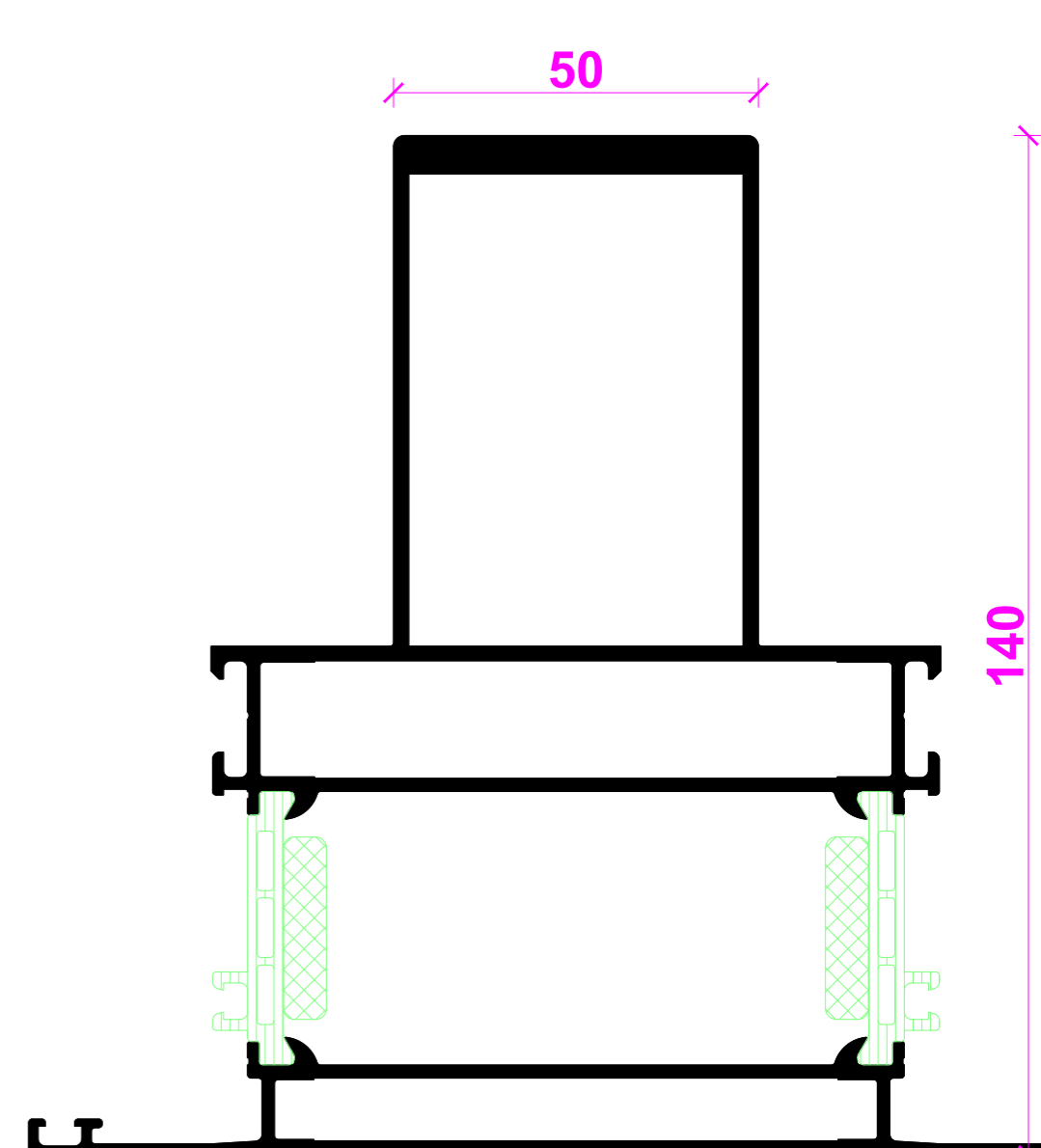
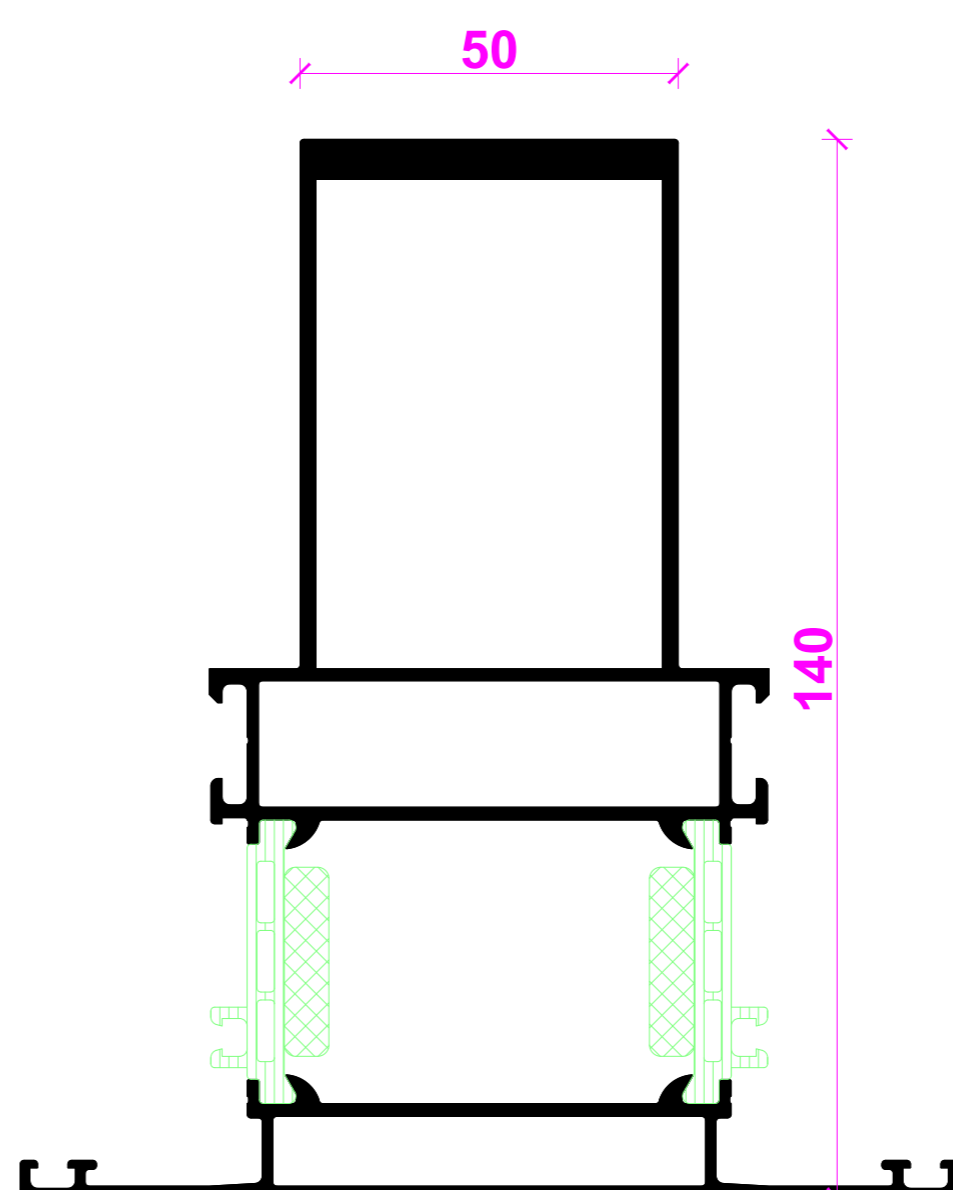
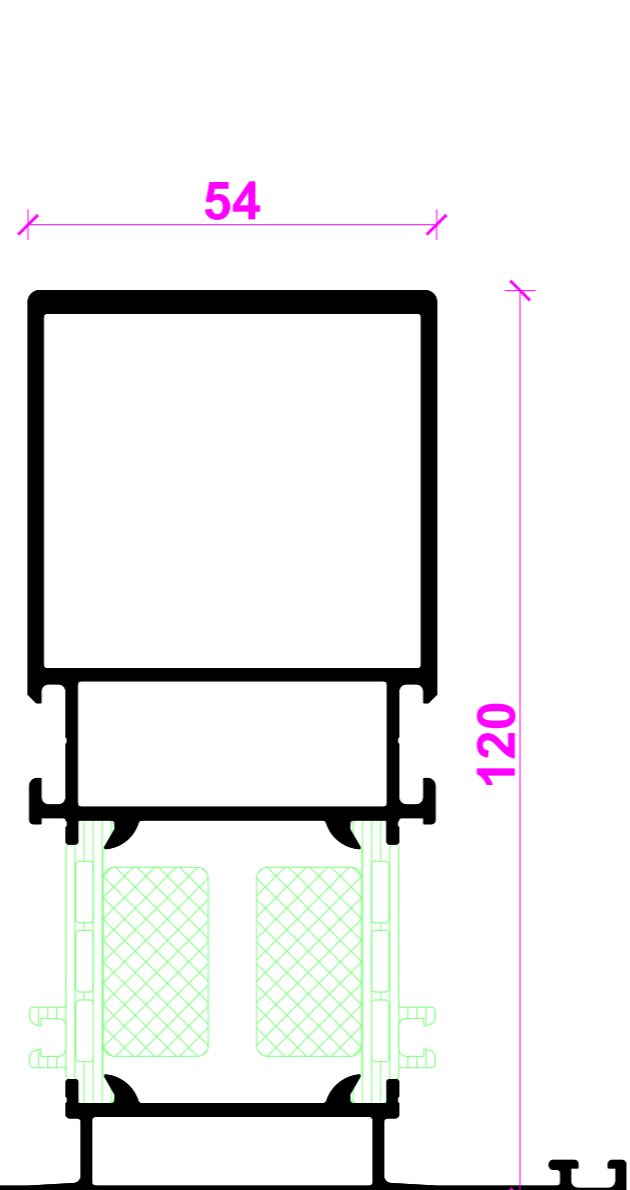
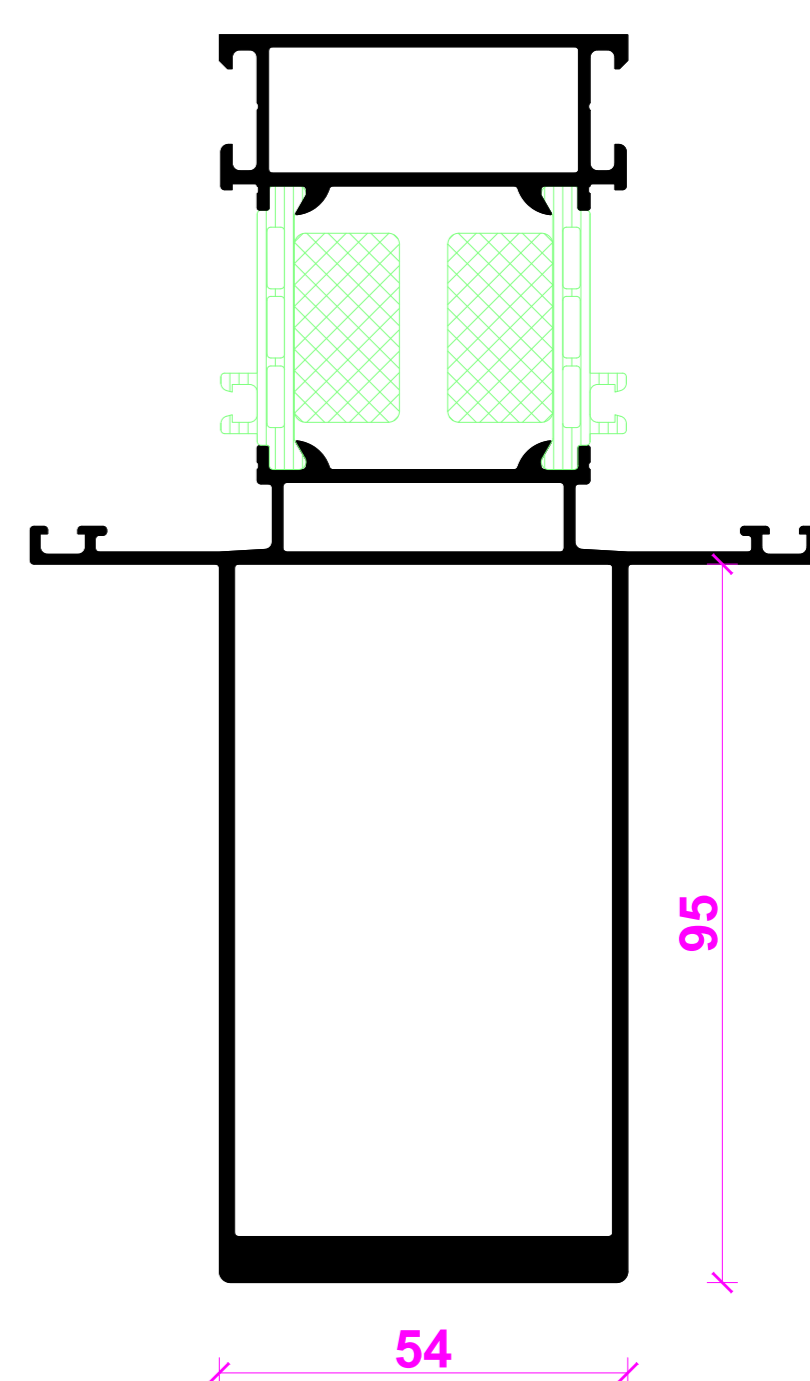
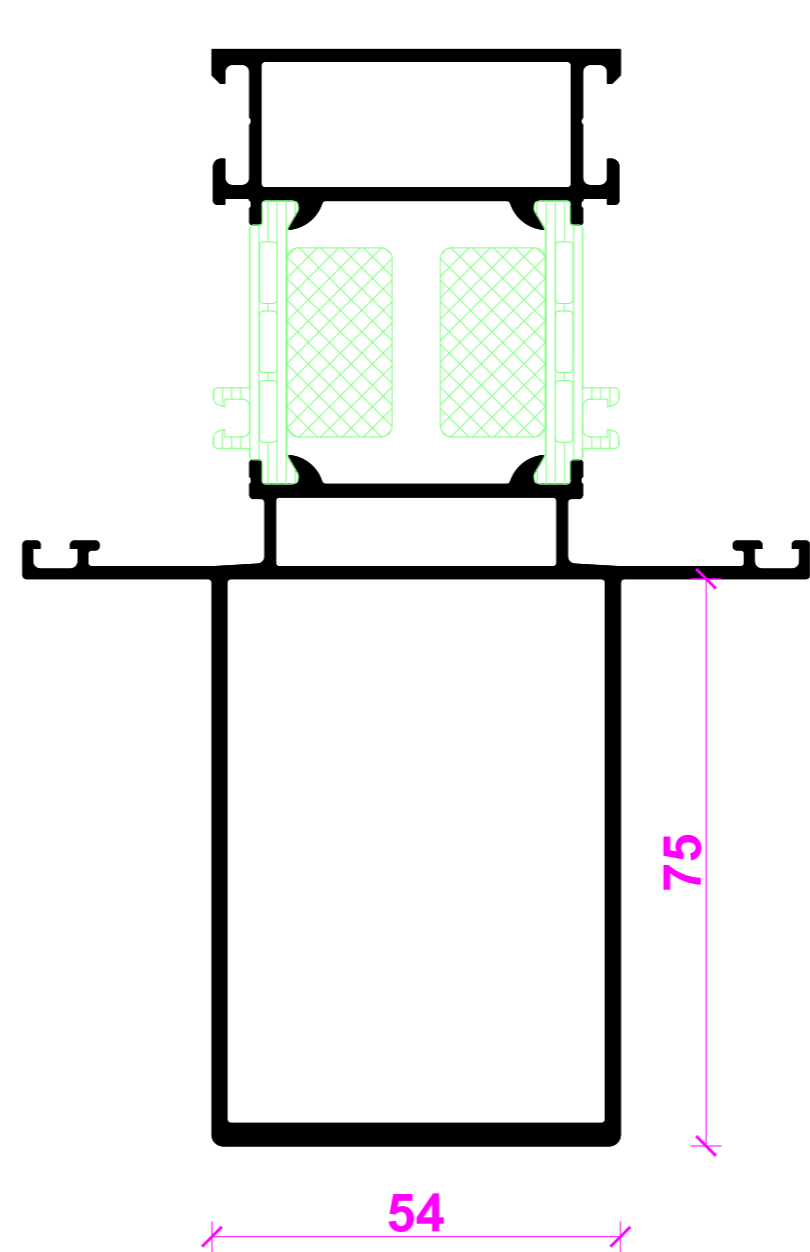
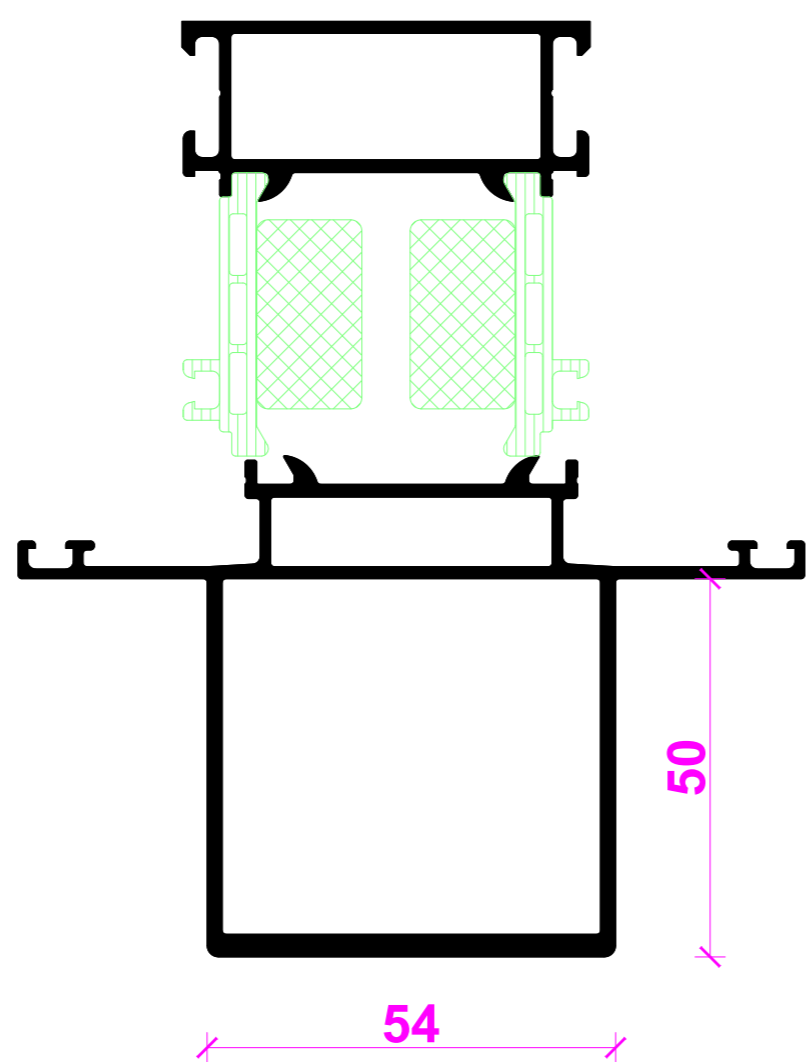
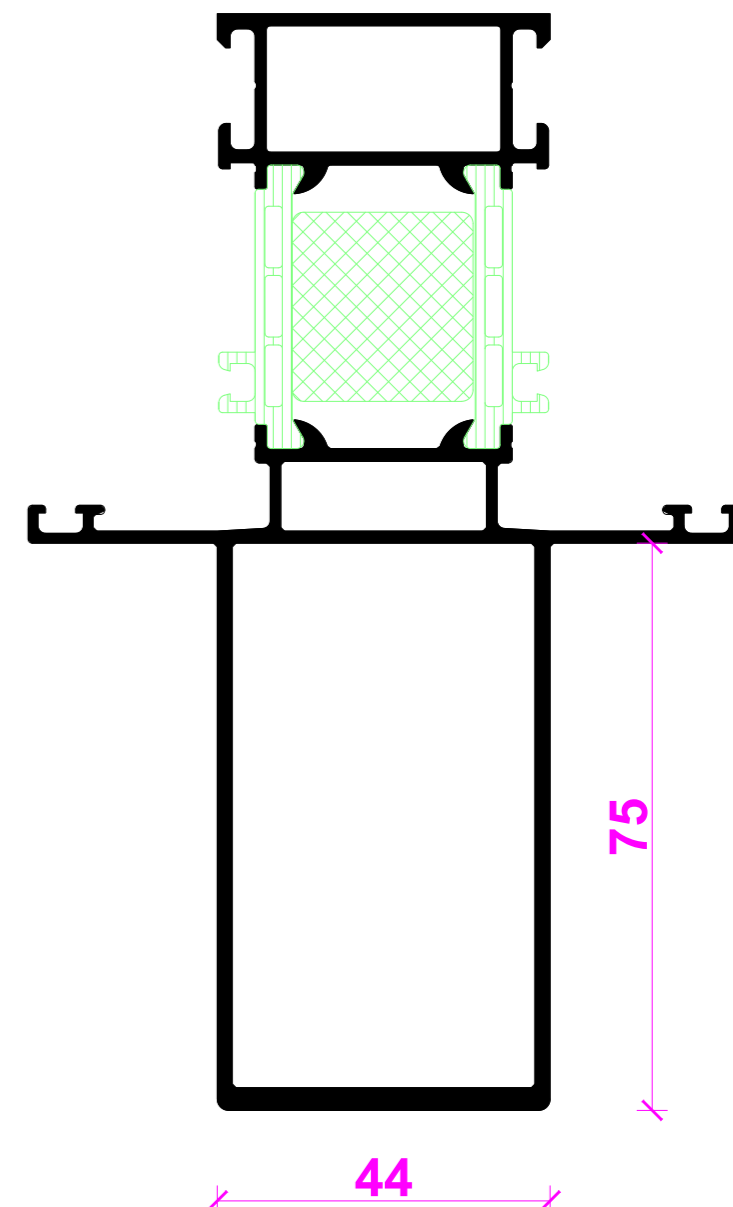
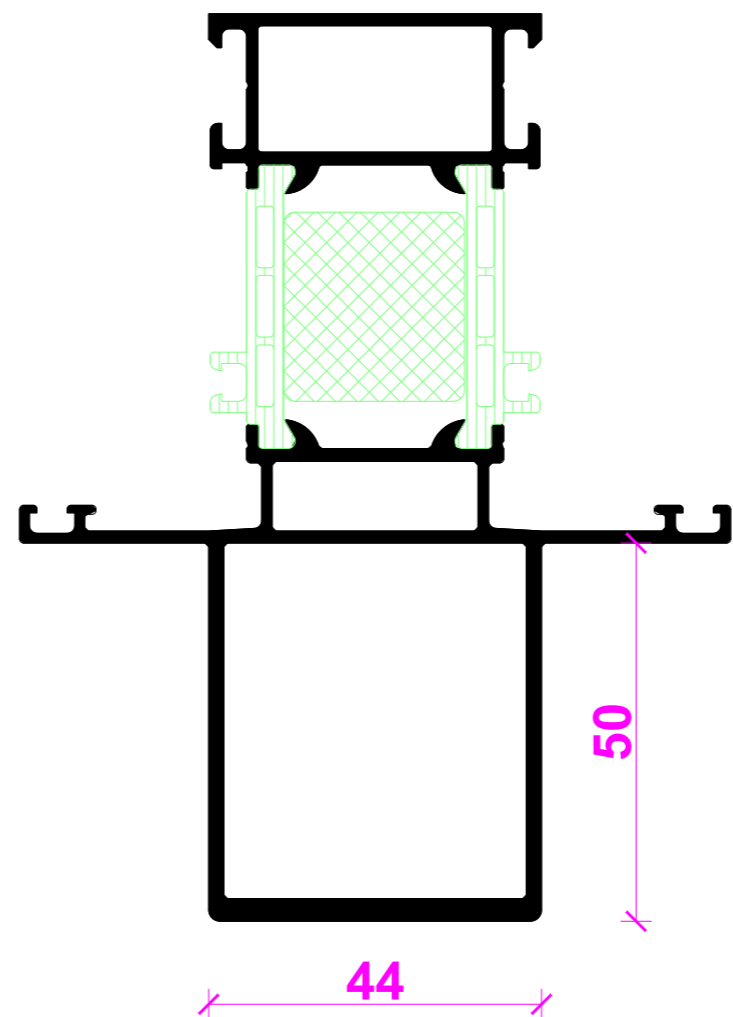
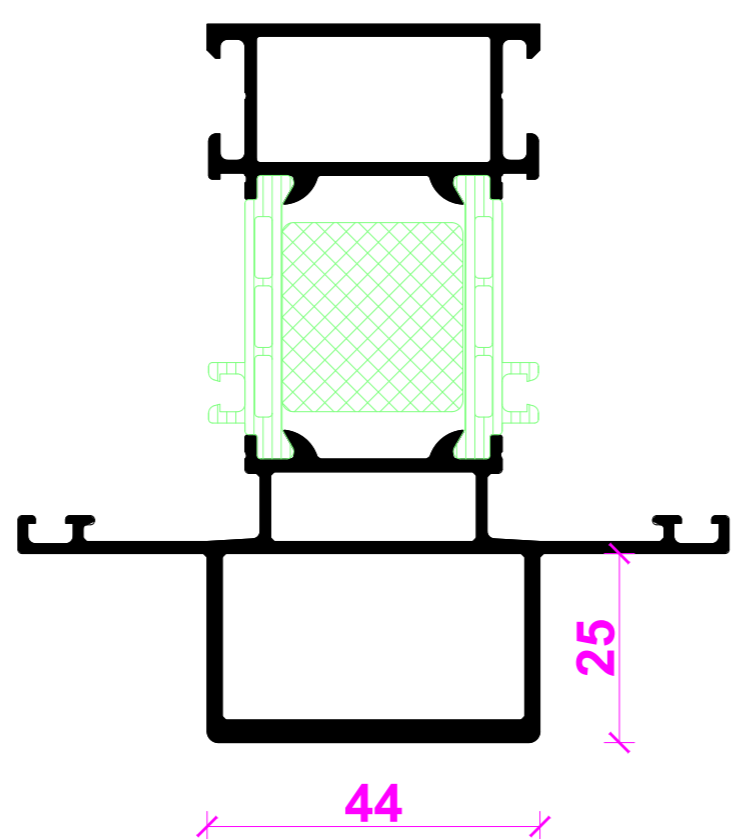
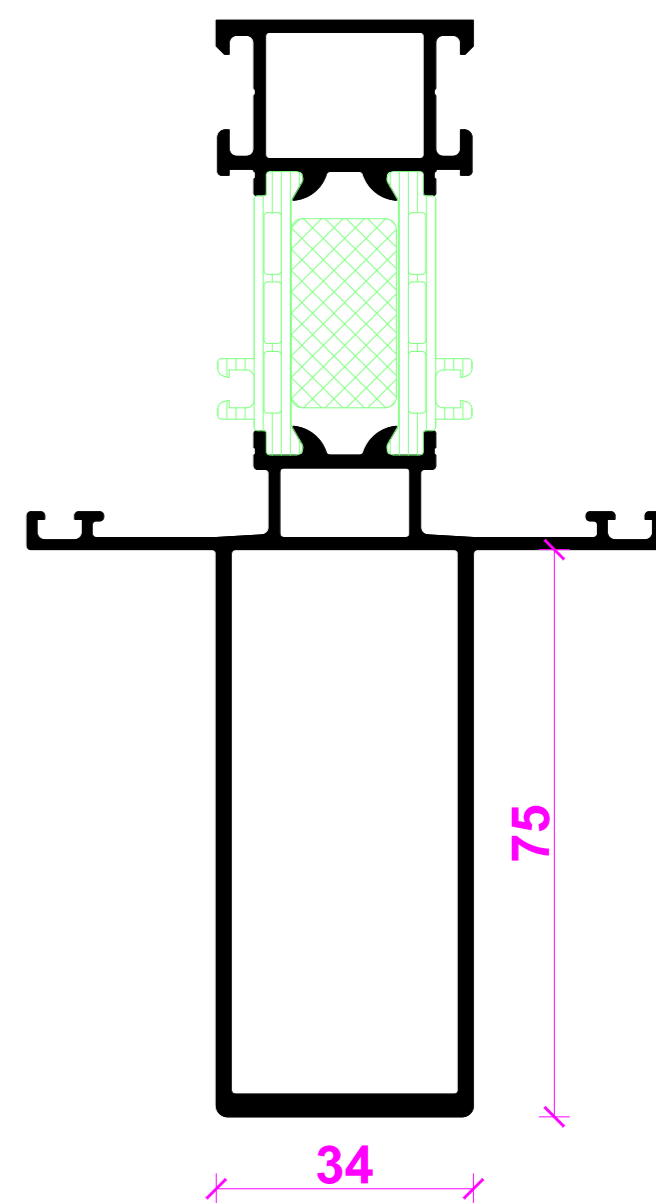
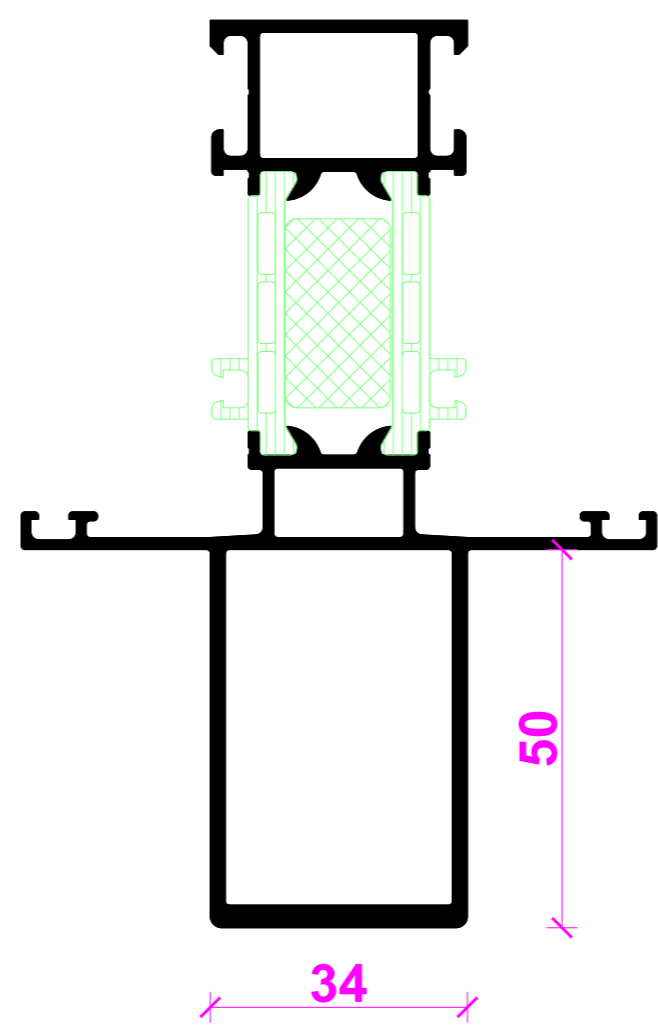
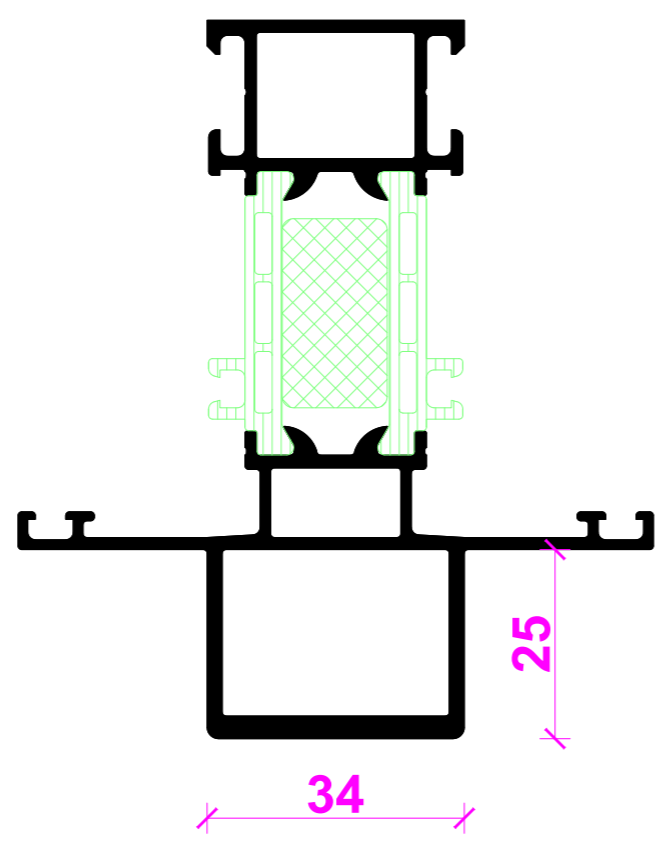
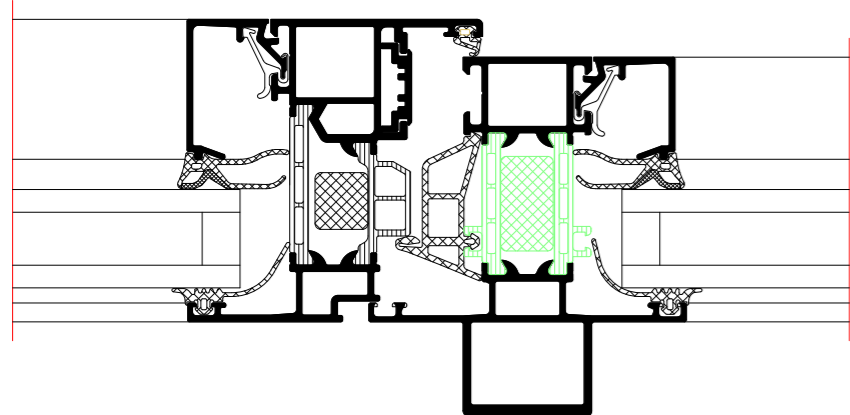


Dehnungs- und Montagestoß
Expansion and assembly joint



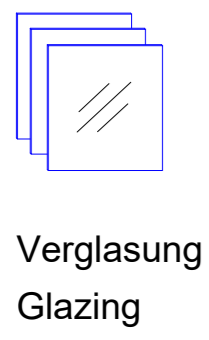
INDEX	DATE	REVISION	DESIGNED BY	CHECKED BY
PLANUNSATZ				
PLAN CONTRACT				
Riva Profilsysteme				
Riva Profile systems				
PROJECT	Fenster RIVA AWS 70.HI Innen öffnend			PROJECT MK
PROJECT	Window RIVA AWS 70.HI inward opening			PROJECT MK
ARCHITECT	CLIENT			
PLANNING	PLANNER			
BENEDICT + RIVA				
BENEDICT + RIVA GmbH Röschestraße 19 04229 Leipzig, Germany				
ANSPRECHPARTNER	Mathias Andrich			
CONTACT PERSON				
PLANNING TYPE	STATUS	PLANNING FORMAT	MASTER SCALE	DESIGNED CHECKED BY
		DWG	1:1	MA
PLANNING NUMBER	DOCUMENT NUMBER			

Statikpfosten
Structural mullion

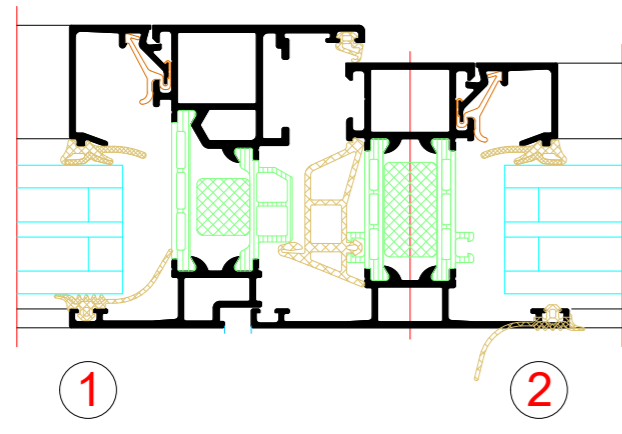


BENEDICT
+ RIVA

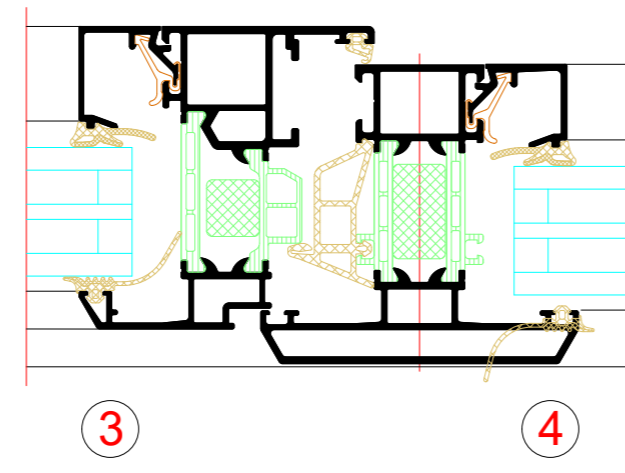
INDEX	DATE	REVISION	DESIGNED BY	CHECKED BY	
PLANNING					
PROJECT					
Riva Profilsysteme Riva Profile systems					
Fenster RIVA AWS 70.Hi Innen öffnend Window RIVA AWS 70.Hi Inward opening					
BENEDICT + RIVA GmbH Röcklestrasse 19 04328 Leipzig, Germany					
PLANNING TYPE	STATUS	FORMAT	SCALE	DESIGNED BY	CHECKED BY
DOCUMENT NUMBER					



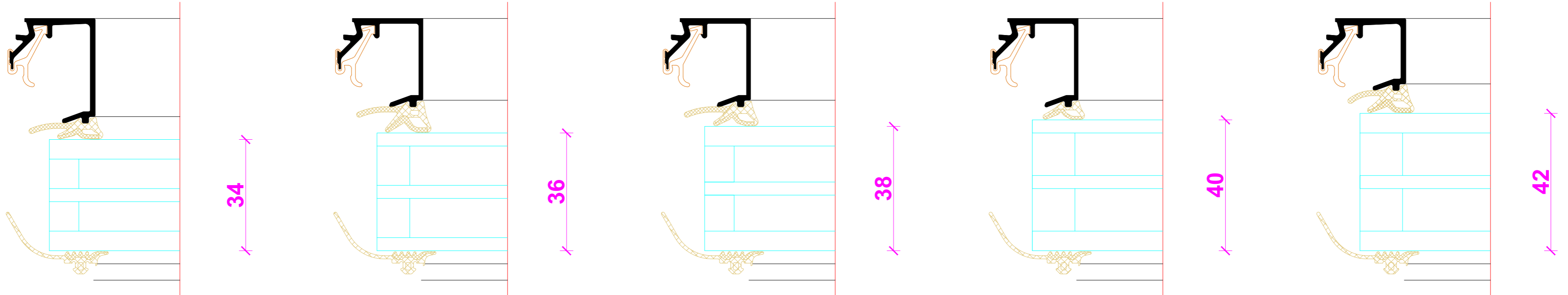
AWS 70.HI
AWS 70.HI



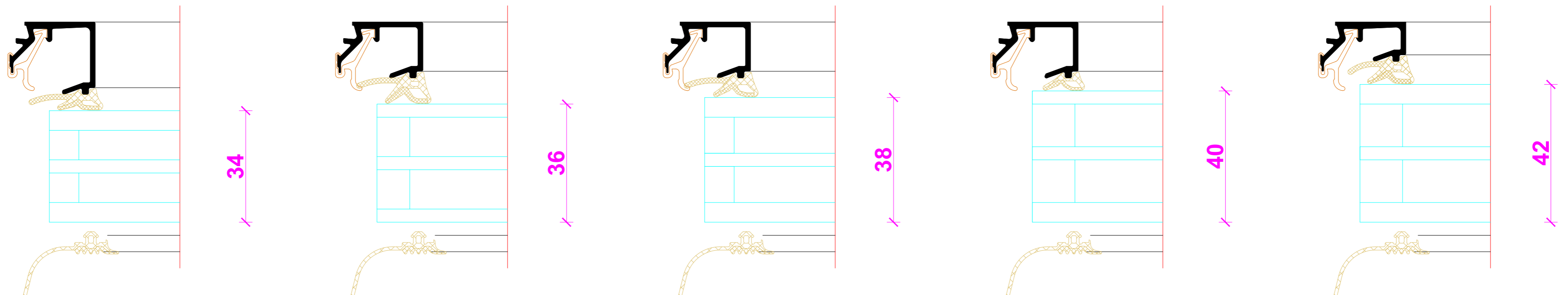
AWS 70 RL.HI
AWS 70 RL.HI



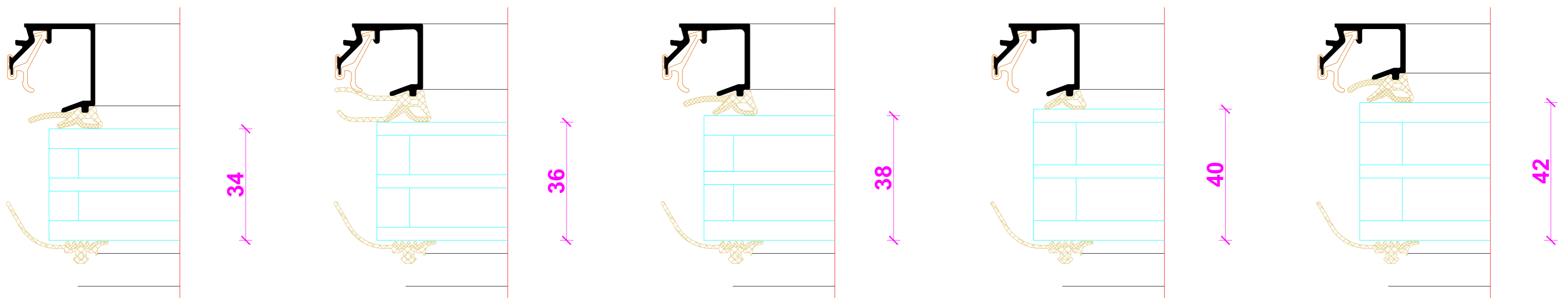
1 * 3-fach Verglasung - Flügel - AWS 70.HI
Triple glazing - vent - AWS 70.HI



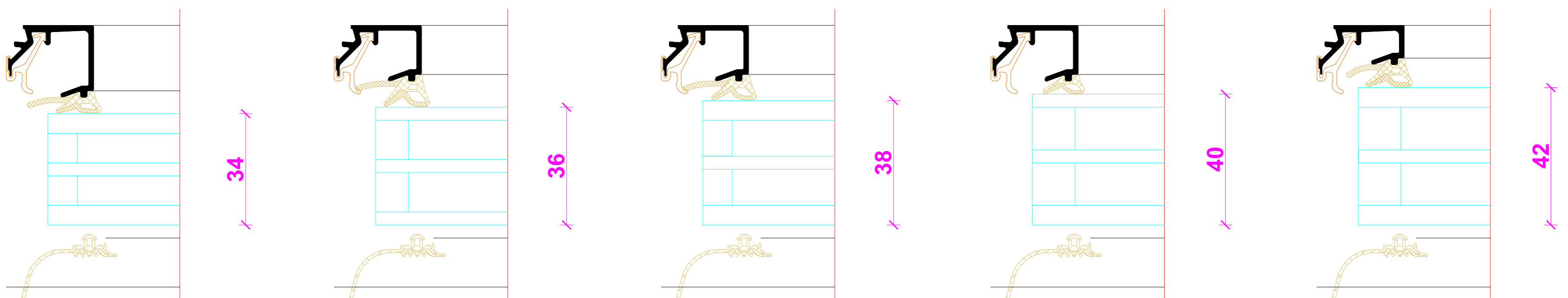
2 * 3-fach Verglasung - Pfosten / Blendrahmen - AWS 70.HI
Triple glazing - mullion / outer frame - AWS 70.HI



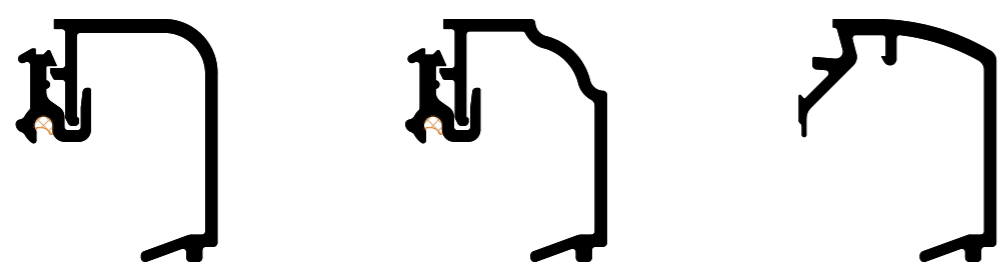
3 * 3-fach Verglasung - Flügel - AWS 70 RL.HI
Triple glazing - vent - AWS 70 RL.HI



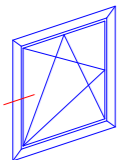
4 * 3-fach Verglasung - Pfosten / Blendrahmen - AWS 70 RL.HI
Triple glazing - mullion / outer frame - AWS 70 RL.HI



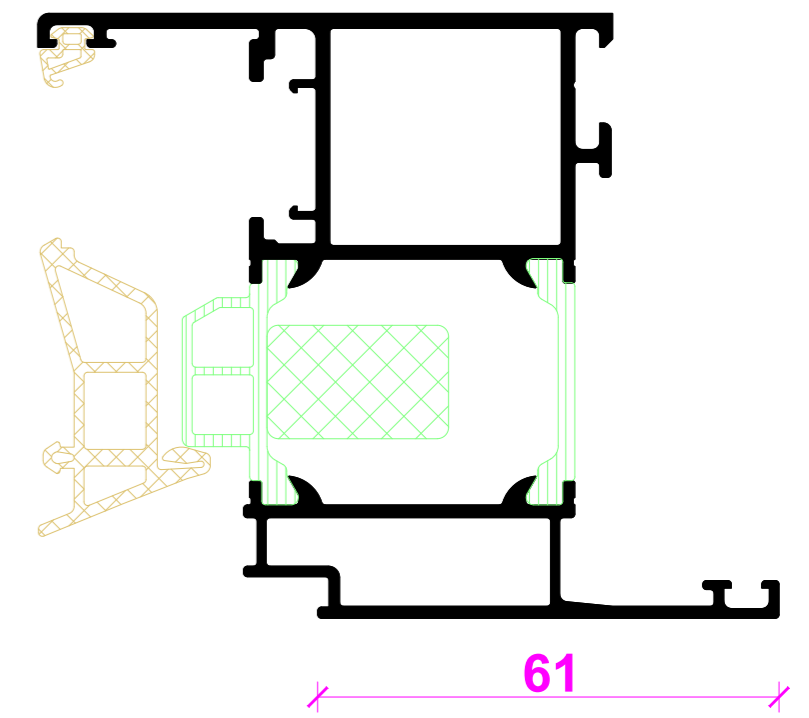
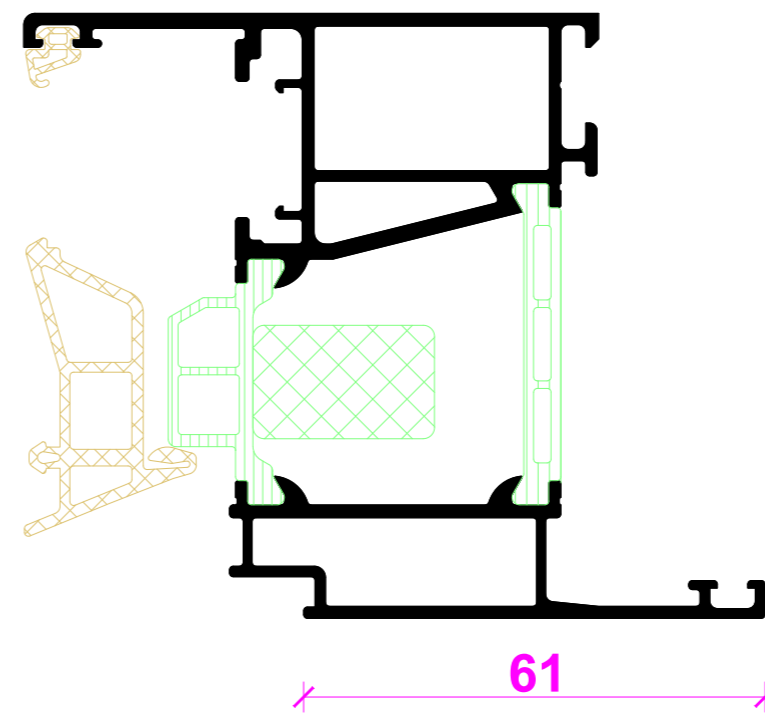
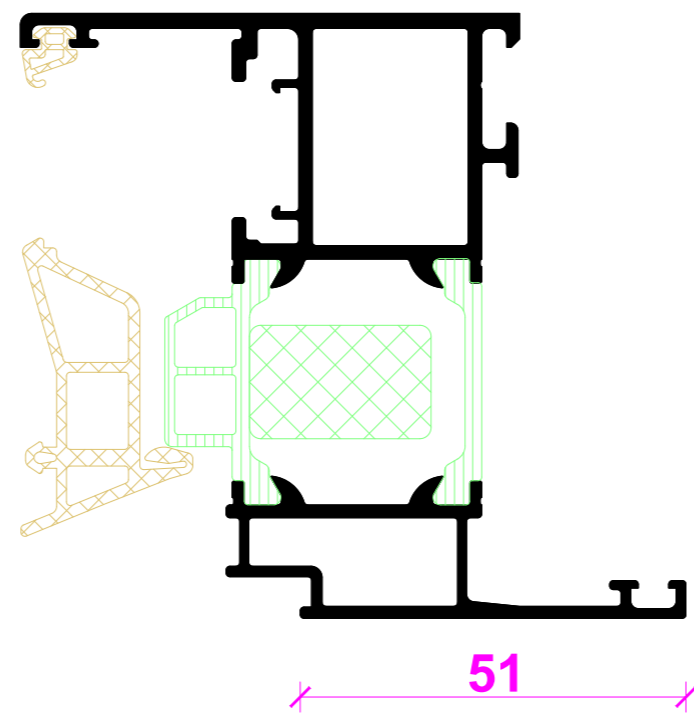
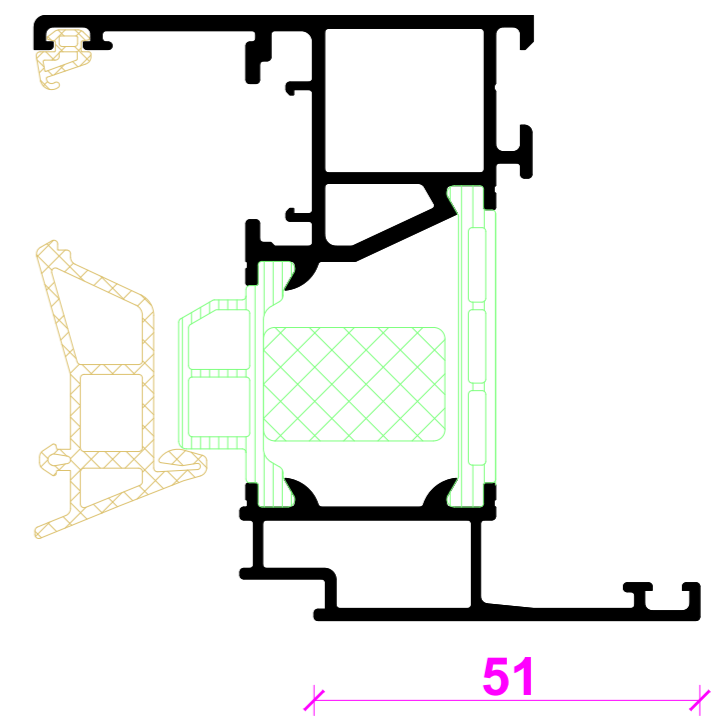
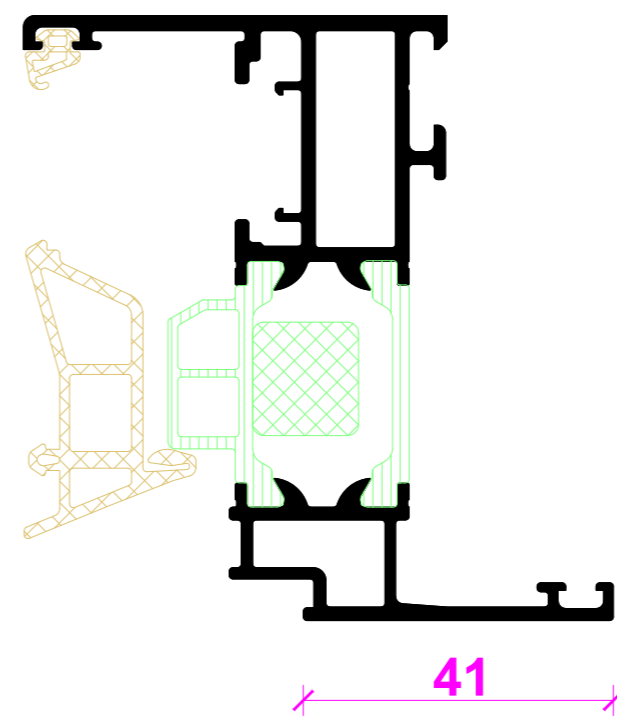
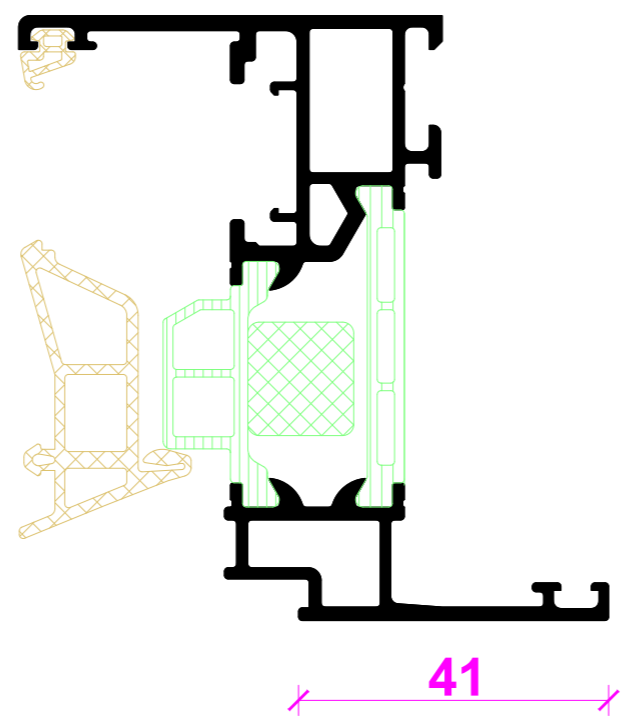
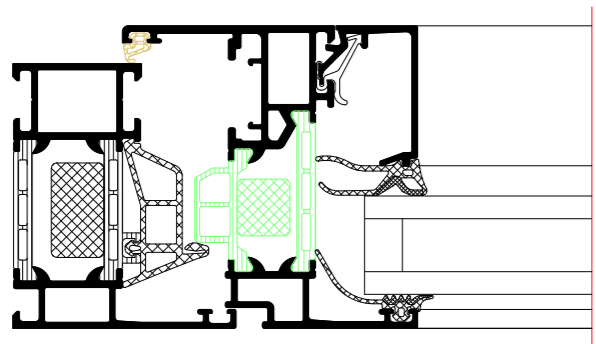
- * Alternative Glasleisten - Gestaltungsleisten
- * Alternative glazing beads - feature glazing beads



INDEX	DATE	REVISION	DESIGNED BY	CHECKED BY
PLANNING				
PROJECT	Riva Profilsysteme Riva Profile systems			
PROJECT	Fenster RIVA AWS 70 HI Innen öffend Window RIVA AWS 70 HI inward opening			
PLANNING	PLANNING			
PLANNING	STATUS	PLANNING	SCALE	DESIGNED BY
PLANNING	DATE	DATE	SCALE	CHECKED BY
PLANNING	DATE	DATE	SCALE	CHECKED BY



Flügelprofil TipTronic
TipTronic vent profile

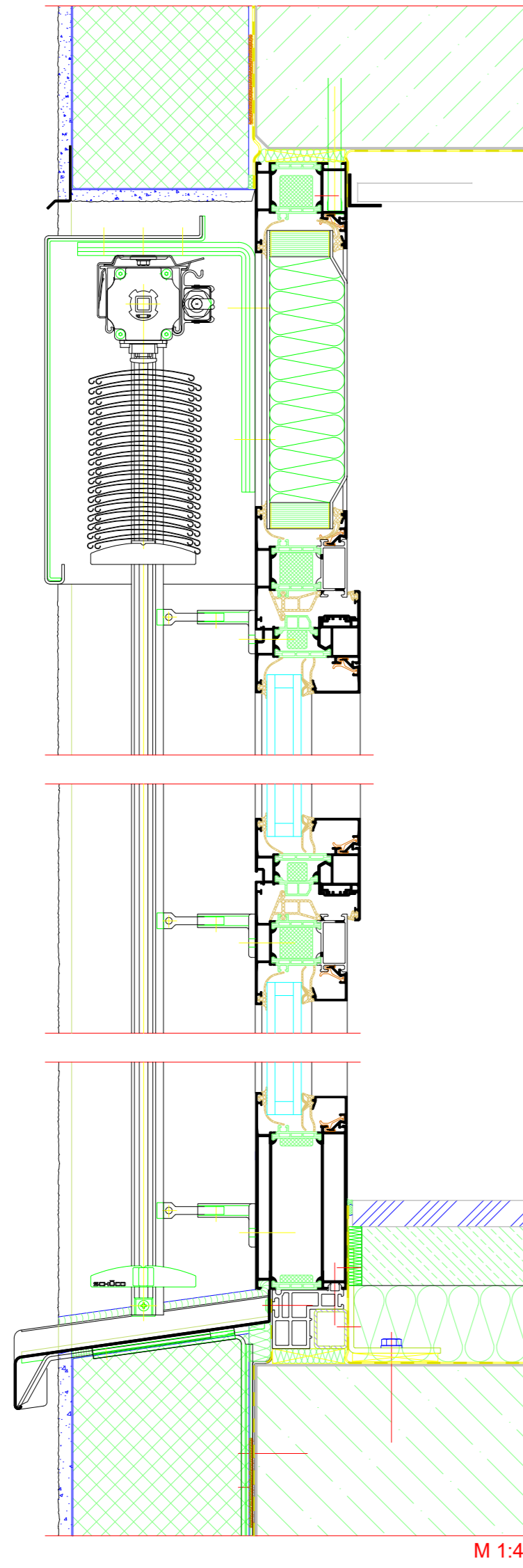


BENEDICT
+ RIVA

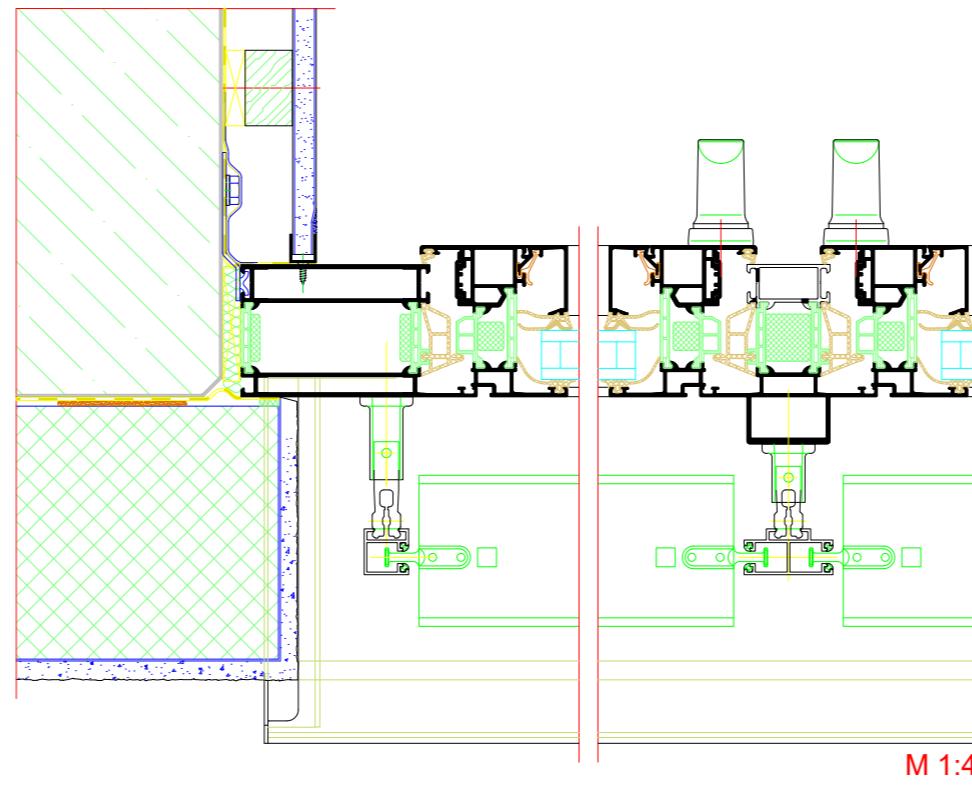
INDEX	DATE	ÄNDERUNG	GEZEICHNET	GEPRÜFT
INDEX	DATE	CHANGE	DESIGNED BY	CHECKED BY
PLANARBEIT				
PLAN CONTRACT				DATE
Riva Profilsysteme				
Riva Profile systems				
PROJEKT				PROJEKT NR.
PROJECT				PROJECT NR.
Fenster RIVA AWS 70.HI Innen öffnend				
Window RIVA AWS 70.HI inward opening				
BÄUERER				
CLIENT				
PLANVERFASSER				
PLANNER				
BENEDICT + RIVA				
BENEDICT + RIVA GmbH				
Röcklestrasse 19				
04320 Leipzig, Germany				
ANSCHREIFPARTNER				
CONTACT PERSON				
PLANARBEIT	STATUS	PLANFORMAT	MASSSTAB	GEZEICHNET
PLANNING TYPE	STATUS	FORMAT	SCALE	DESIGNED BY
PLANUMBER				GEPRÜFT
DOCUMENT NUMBER				CHECKED BY
				N.A.

Wand mit WDVS und Sonnenschutz
 Wall with composite thermal insulation
 system and sun shading

Oberer Anschluss
 Top attachment



Seitlicher Anschluss
 Side attachment



Unterer Anschluss
 Bottom attachment

INDEX	DATE	ÄNDERUNG	GEZEICHNET	GEPRÜFT
INDEX	DATE	CHANGE	DESIGNED BY	CHECKED BY
PLANHAFT				
PLAN CONTENT				
Riva Baukörperanschlüsse				
Riva Attachments to building structure				
PROJEKT				PROJEKT NR.
PROJECT				PROJECT NR.
Fenster RIVA AWS 70.HI Innen öffnend				
Window RIVA AWS 70.HI inward opening				
BAUHER				
CLIENT				
PLANVERFASSER				
PLANNER				
BENEDICT + RIVA			BENEDICT + RIVA GmbH	
			Rödelstrasse 19	
			04229 Leipzig, Germany	
ANSPRECHPARTNER				
CONTACT PERSON				
PLANHAFT				
PLANNING TYPE				
STATUS				
PLANHAFT				
FORMAT				
DRAW				
MASSSTAB				
SCALE				
GEZEICHNET				
DESIGNED BY				
GEPRÜFT				
CHECKED BY				
PLANNUMMER				
DOCUMENT NUMBER				

