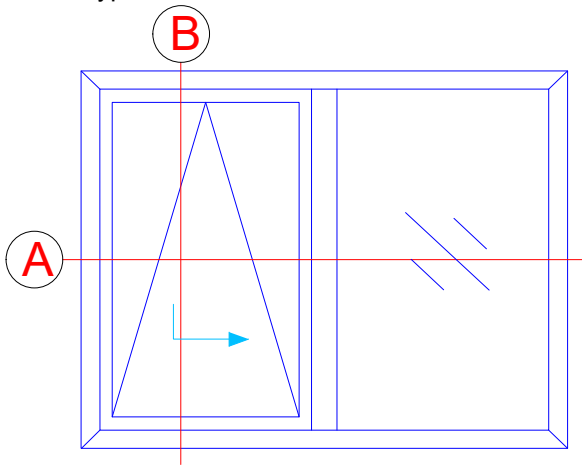


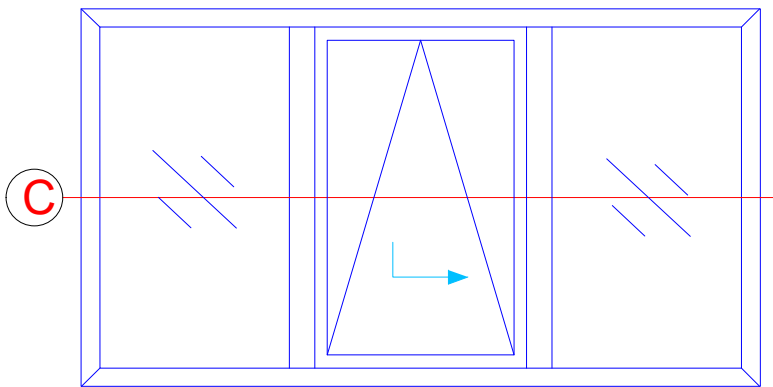
Typ 1

Type 1



Typ 2

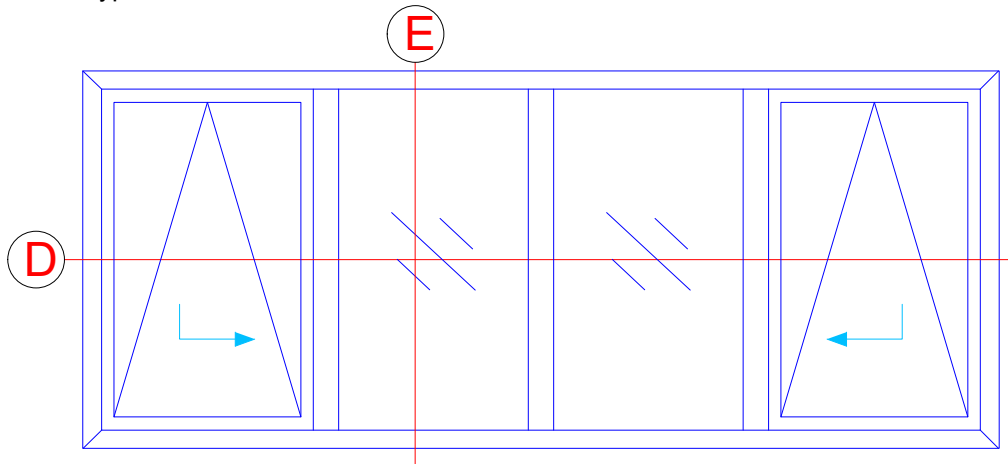
Type 2



INDEX	DATUM	ÄNDERUNG	GEZEICHNET	GEPRÜFT	
INDEX	DATE	CHANGE	DESIGNED BY	CHECKED BY	
PLANINHALT PLAN CONTENT				DATUM DATE	
Riva Elementbeispiele Riva Unit examples					
PROJEKT PROJECT				PROJEKT NR. PROJECT NR.	
Fenster RIVA AWS 70.HI PASK Window RIVA AWS 70.HI Tilt/slide					
BAUHERR CLIENT					
-					
PLANVERFASSER PLANNER					
BENEDICT + RIVA			BENEDICT + RIVA GmbH Rüchelstrasse 13 04229 Leipzig, Germany		
ANSPRECHPARTNER CONTACT PERSON		Matthias Anderle			
PLANART PLANNING TYPE	STATUS STATUS	PLANFORMAT FORMAT	MAßSTAB SCALE	GEZEICHNET DESIGNED BY	GEPRÜFT CHECKED BY
-	-	DIN A4	-	B.J.Ni	M.A.
PLANNUMMER DOCUMENT NUMBER					
-					

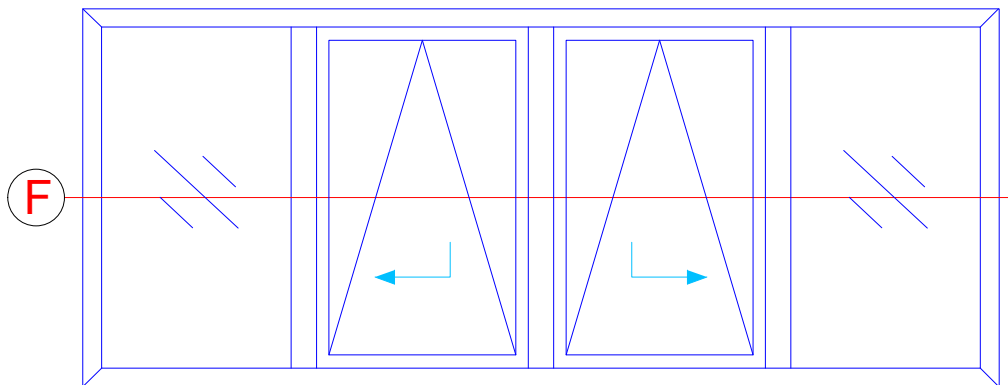
Typ 3

Type 3



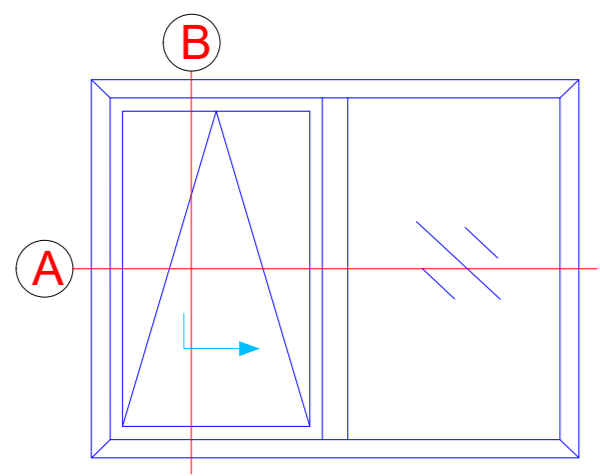
Typ 4

Type 4

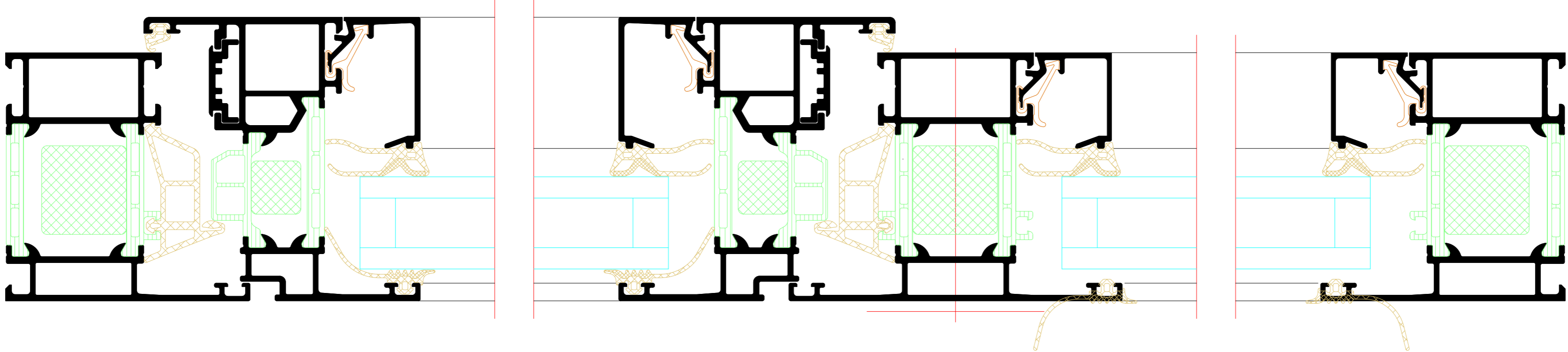


INDEX	DATUM	ÄNDERUNG	GEZEICHNET	GEPRÜFT	
INDEX	DATE	CHANGE	DESIGNED BY	CHECKED BY	
-	-	-	-	-	
PLANINHALT PLAN CONTENT Riva Elementbeispiele Riva Unit examples				DATUM DATE	
PROJEKT PROJECT Fenster RIVA AWS 70.HI PASK Window RIVA AWS 70.HI Tilt/slide				PROJEKT NR. PROJECT NR.	
BAUHERR CLIENT -					
PLANVERFASSER PLANNER BENEDICT + RIVA					
BENEDICT + RIVA GmbH R5delstrasse 13 04229 Leipzig, Germany					
ANSPRECHPARTNER CONTACT PERSON Matthias Anderle					
PLANART PLANNING TYPE -	STATUS STATUS -	PLANFORMAT FORMAT DIN A4	MAßSTAB SCALE -	GEZEICHNET DESIGNED BY B.J.Ni	GEPRÜFT CHECKED BY M.A.
PLANNUMMER DOCUMENT NUMBER -					

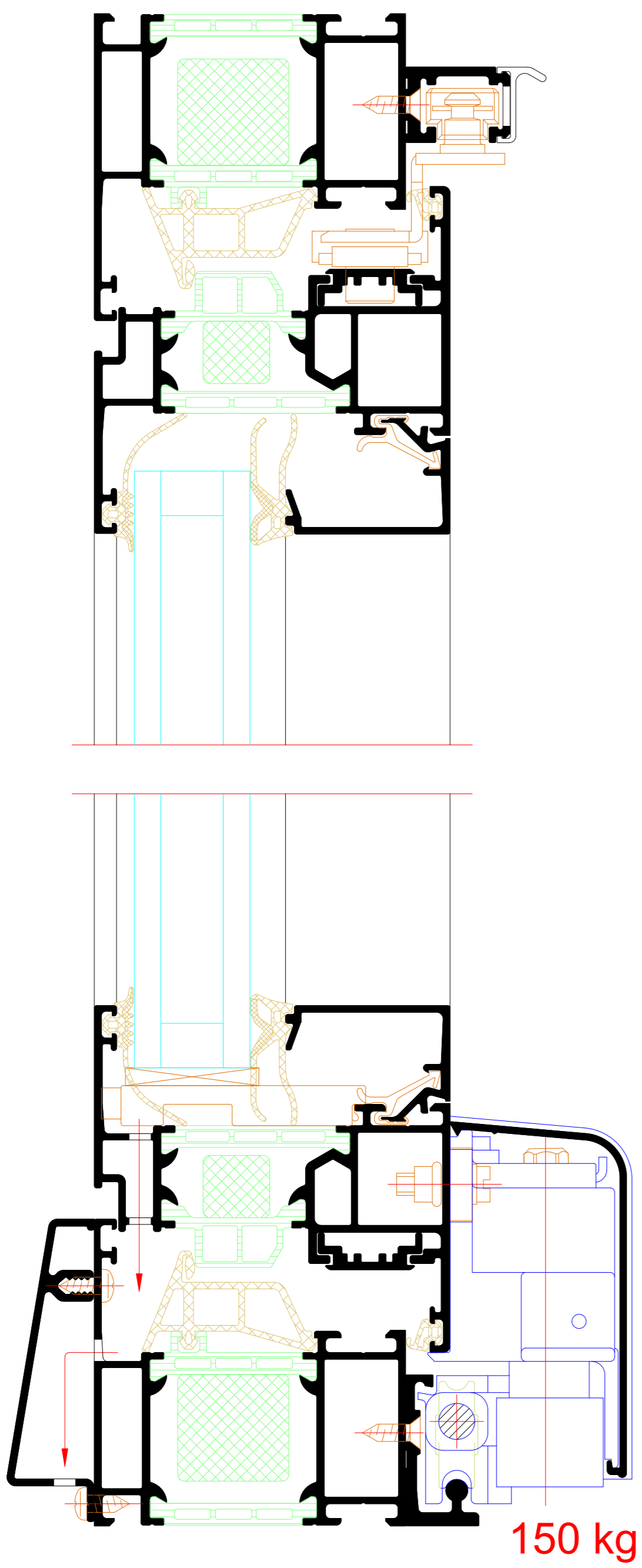
Typ 1
Type 1



A

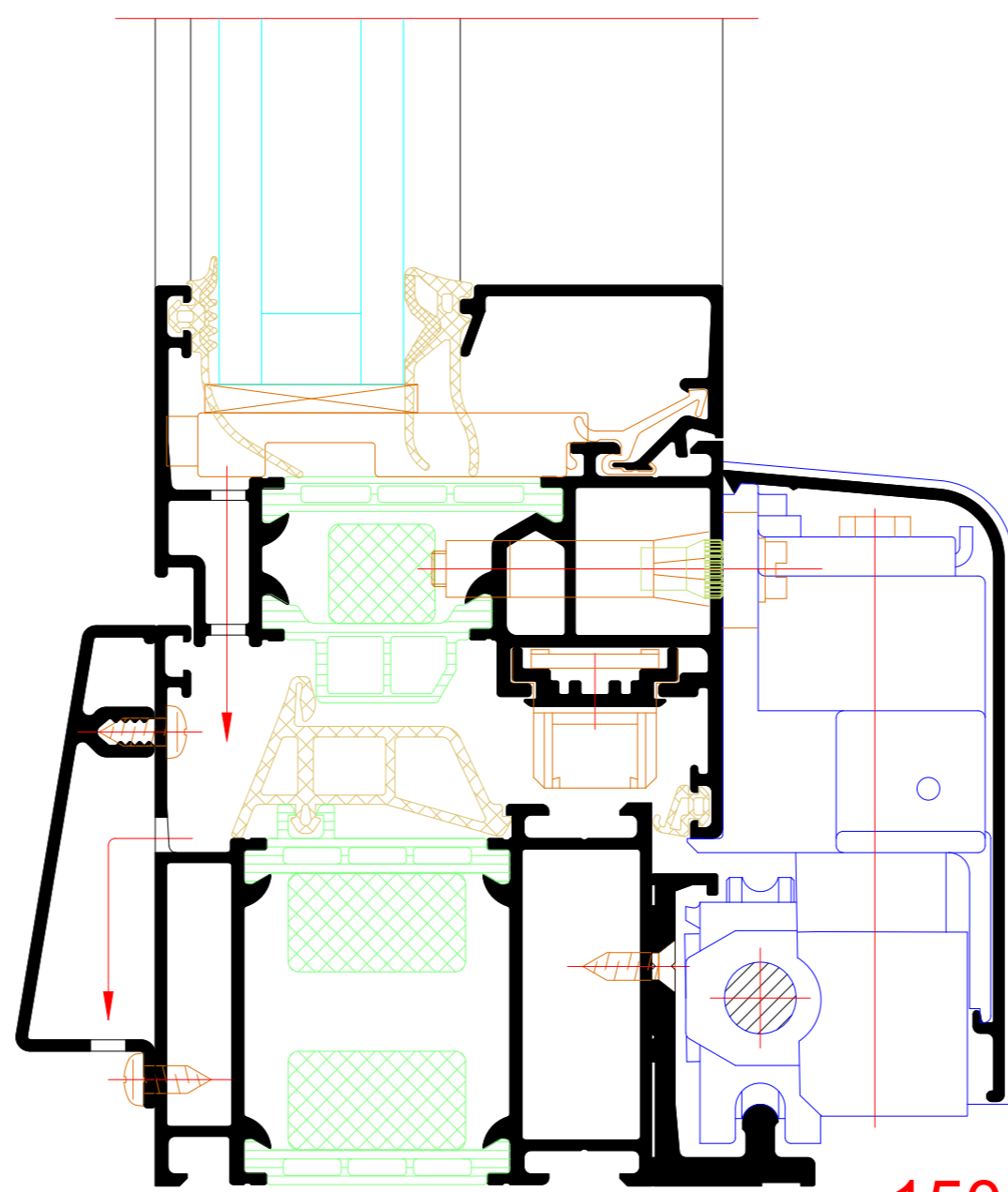


B



150 kg

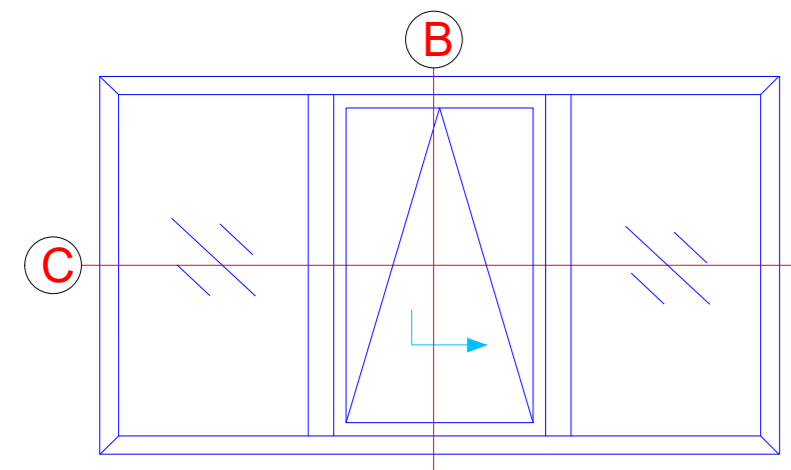
Alternative
Alternative



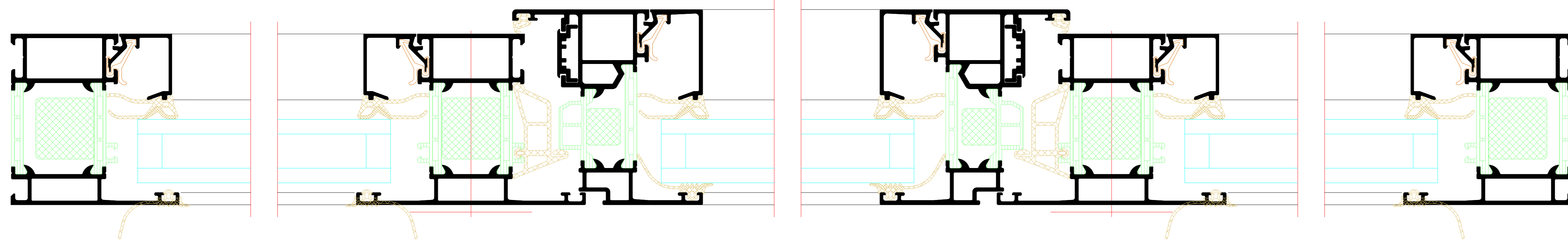
150-180kg
180-250kg

INDEX	DATE	REVISION	DESIGNED BY	CHECKED BY
PLANNING				
PLANNING				
Riva Elementschritte Riva Unit section details				
PROJECT	Fenster RIVA AWS 70 HI PASK Window RIVA AWS 70 HI Titlside			PROJECT NR. PROJECT NR.
OWNER	CLIENT			
PLANNING	PLANNER			
BENEDICT + RIVA <small>BENEDICT + RIVA GmbH Rödelstraße 19 04229 Leipzig, Germany</small>				
PLANNING	STATUS	PLANNING	SCALE	DESIGNED BY
PLANNING	STATUS	PLANNING	SCALE	DESIGNED BY
PLANNING	STATUS	PLANNING	SCALE	DESIGNED BY
PLANNING	STATUS	PLANNING	SCALE	DESIGNED BY

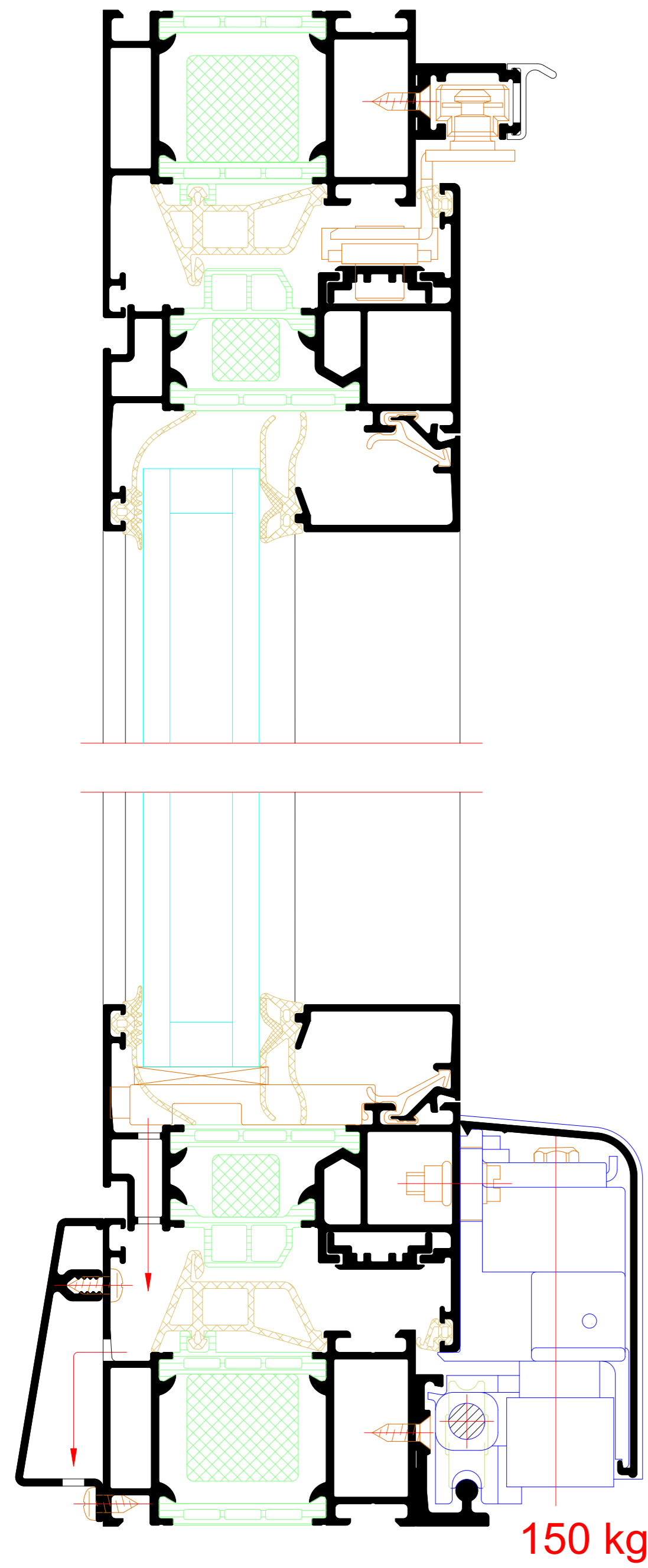
Typ 2
Type 2



C

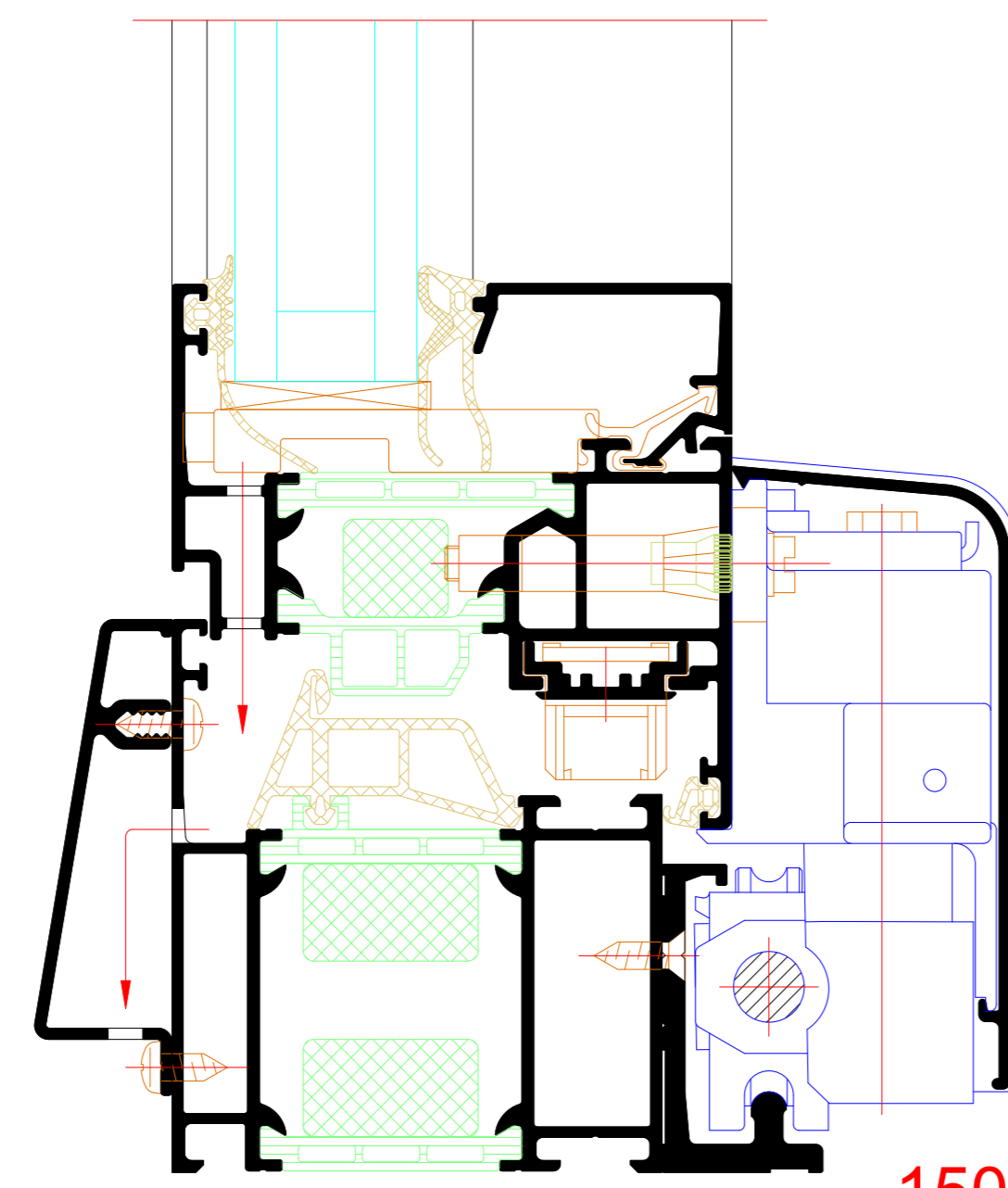


B



150 kg

Alternative
Alternative



150-180kg
180-250kg

