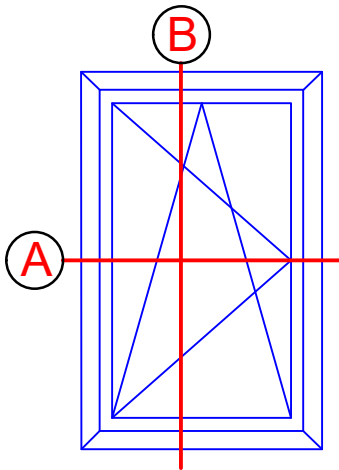


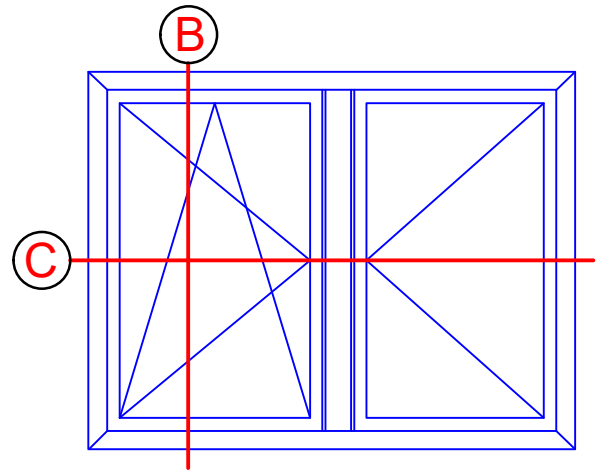
Einflügeliges Fenster

Single-vent window



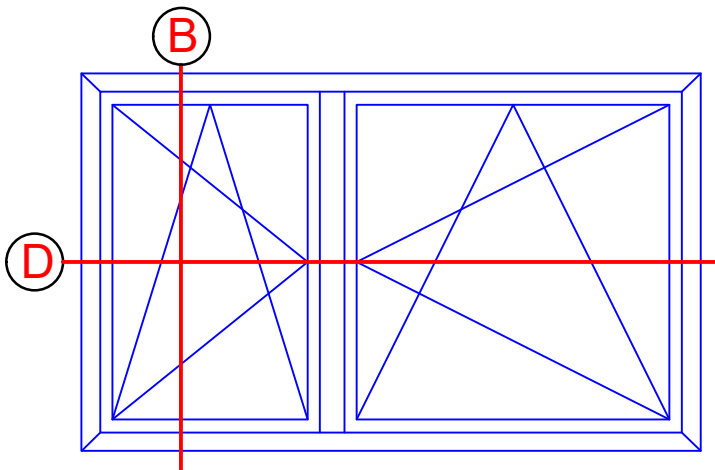
Stulpfenster

Double-vent window



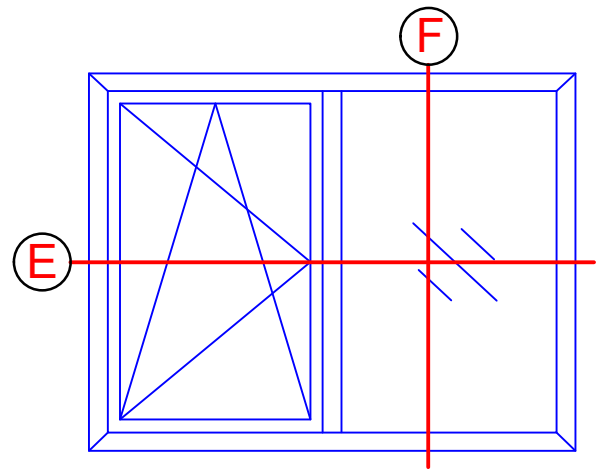
Zweiflügeliges Fenster

Vent + vent



Einflügeliges Fenster mit Festfeld

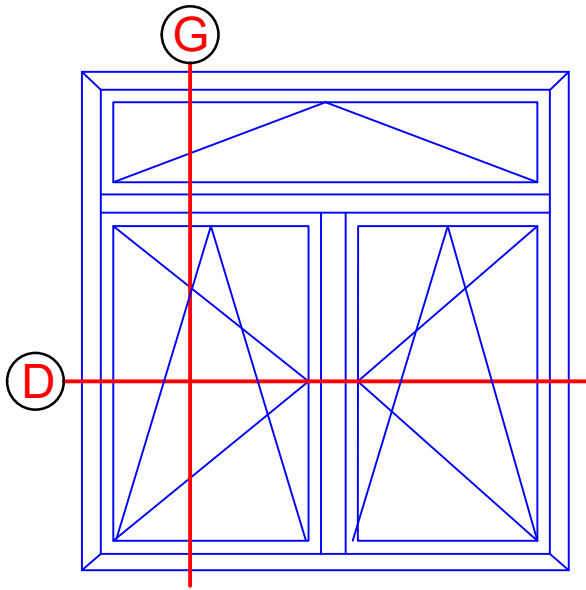
Single-vent window with fixed light



INDEX	DATUM	ÄNDERUNG	GEZEICHNET	GEPRÜFT	
INDEX	DATE	CHANGE	DESIGNED BY	CHECKED BY	
PLANINHALT PLAN CONTENT Riva Elementbeispiele Riva Unit examples				DATUM DATE	
PROJEKT PROJECT Fenster RIVA AWS 70 BS.HI Innen öffnend Window RIVA AWS 70 BS.HI inward opening				PROJEKT NR. PROJECT NR.	
BAUHERR CLIENT -					
PLANVERFASSER PLANNER <b>BENEDICT + RIVA</b> <b>BENEDICT + RIVA GmbH</b> <b>Rödelstrasse 13</b> <b>04229 Leipzig, Germany</b>					
ANSPRECHPARTNER CONTACT PERSON Matthias Anderle					
PLANART PLANNING TYPE	STATUS STATUS	PLANFORMAT FORMAT DIN A4	MAßSTAB SCALE -	GEZEICHNET DESIGNED BY B.J.Ni	GEPRÜFT CHECKED BY M.A.
PLANNUMMER DOCUMENT NUMBER -					

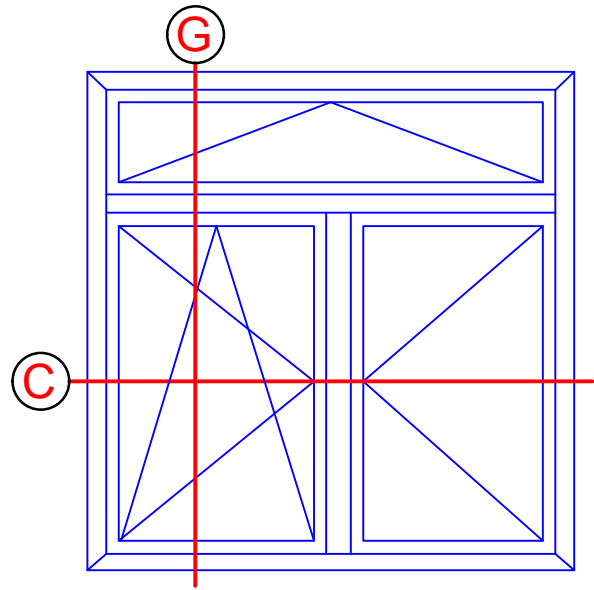
Zweiflügeliges Fenster mit Oberlicht

Vent + vent with toplight



Stulpfenster mit Oberlicht

Double-vent window with toplight

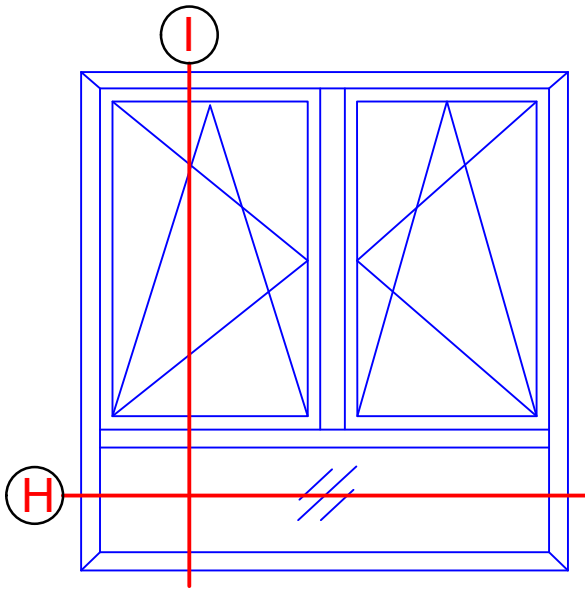


-	-	-	-	-	
INDEX	DATUM	ÄNDERUNG	GEZEICHNET	GEPRÜFT	
INDEX	DATE	CHANGE	DESIGNED BY	CHECKED BY	
PLANINHALT PLAN CONTENT Riva Elementbeispiele Riva Unit examples				DATUM DATE	
PROJEKT PROJECT Fenster RIVA AWS 70 BS.HI Innen öffnend Window RIVA AWS 70 BS.HI inward opening				PROJEKT NR. PROJECT NR.	
BAUHERR CLIENT -					
PLANVERFASSER PLANNER <b>BENEDICT + RIVA</b>					
ANSPRECHPARTNER CONTACT PERSON Matthias Anderle					
PLANART PLANNING TYPE -	STATUS STATUS -	PLANFORMAT FORMAT DIN A4	MAßSTAB SCALE -	GEZEICHNET DESIGNED BY B.J.Ni	GEPRÜFT CHECKED BY M.A.
PLANNUMMER DOCUMENT NUMBER -					

**BENEDICT + RIVA GmbH**  
 Rödelstrasse 13  
 04229 Leipzig, Germany

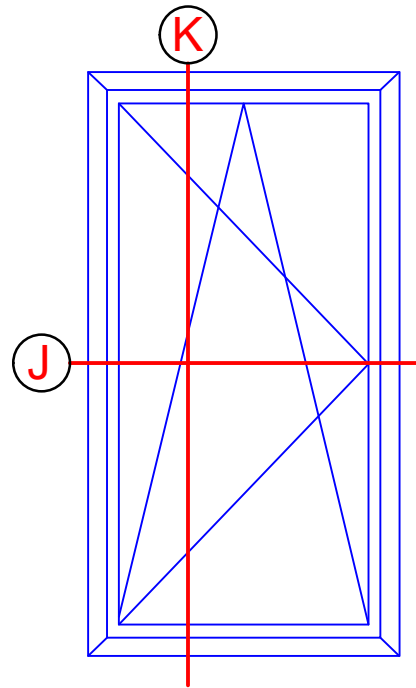
Zweiflügeliges Fenster mit Unterlicht

Vent + vent with bottom light



Fenstertür

Window door



Einsatzelemente sind in Fassadensysteme zu finden

Insert units can be found in façade systems



INDEX	DATUM	ÄNDERUNG	GEZEICHNET	GEPRÜFT	
INDEX	DATE	CHANGE	DESIGNED BY	CHECKED BY	
-	-	-	-	-	
<b>PLANINHALT</b> PLAN CONTENT Riva Elementbeispiele Riva Unit examples				<b>DATUM</b> DATE	
<b>PROJEKT</b> PROJECT Fenster RIVA AWS 70 BS.HI Innen öffnend Window RIVA AWS 70 BS.HI inward opening				<b>PROJEKT NR.</b> PROJECT NR.	
<b>BAUHERR</b> CLIENT -					
<b>PLANVERFASSER</b> PLANNER <b>BENEDICT + RIVA</b>					
<b>BENEDICT + RIVA GmbH</b> Rödelsstrasse 13 04229 Leipzig, Germany					
<b>ANSPRECHPARTNER</b> CONTACT PERSON Matthias Anderle					
<b>PLANART</b> PLANNING TYPE -	<b>STATUS</b> STATUS -	<b>PLANFORMAT</b> FORMAT DIN A4	<b>MAßSTAB</b> SCALE -	<b>GEZEICHNET</b> DESIGNED BY B.J.Ni	<b>GEPRÜFT</b> CHECKED BY M.A.
<b>PLANNUMMER</b> DOCUMENT NUMBER -					

## Technische Informationen

### Technical information

#### Prüfungen und Normen \*\*

#### Tests and standards \*\*

Wärmedämmung nach DIN EN ISO 1077-2 Thermal insulation in accordance with DIN EN ISO 1077-2	$U_f = 1,6 - 2,3 \text{ W}/(\text{m}^2\text{K})$
Schalldämmung nach DIN EN ISO 140-3 Sound reduction in accordance with DIN EN ISO 140-3	bis $R_w$ 45 dB Up to $R_w$ 45 dB
Einbruchhemmung nach DIN V ENV 1627 (DIN EN 1627) Burglar resistance in accordance with DIN V ENV 1627 (DIN EN 1627)	Klasse WK3 (RC 3) Class WK3 (RC 3)
Luftdurchlässigkeit nach DIN EN 12207 Air permeability in accordance with DIN EN 12207	Klasse 4 Class 4
Schlagregendichtheit nach DIN EN 12208 Watertightness in accordance with DIN EN 12208	Klasse 9A Class 9A
Windlastwiderstand nach DIN EN 12210* Wind load resistance in accordance with DIN EN 12210	Klasse C5/B5 Class C5/B5
Mechanische Beanspruchung nach DIN EN 13115 Mechanical loading in accordance with DIN EN 13115	Klasse 4 Class 4
Dauerfunktion nach DIN EN 12400 Durability in accordance with DIN EN 12400	Klasse 3 Class 3

\* Durchbiegungsverhalten profilabhängig  
The amount of deflection will depend on the profile

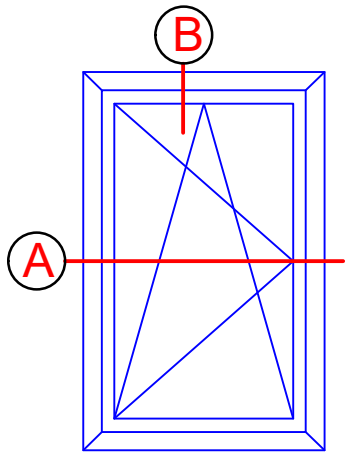
\*\* Die Angaben beschreiben die Bestwerte des Gesamtsystems.  
Die Eigenschaften einer jeweils gewählten Ausführungsvariante oder Elementkombination sind im Einzelfall anhand der ausführlichen Prüfdokumentation zu bestimmen.  
The information describes the optimum values of the entire system.  
The properties of a selected design option or unit combination have to be determined individually based on the comprehensive test documentation.

INDEX	DATUM	ÄNDERUNG	GEZEICHNET	GEPRÜFT	
INDEX	DATE	CHANGE	DESIGNED BY	CHECKED BY	
PLANINHALT PLAN CONTENT				DATUM DATE	
Riva Technische Informationen Riva Technical information					
PROJEKT PROJECT				PROJEKT NR. PROJECT NR.	
Fenster RIVA AWS 70 BS.HI Innen öffnend Window RIVA AWS 70 BS.HI inward opening					
BAUHERR CLIENT					
-					
PLANVERFASSER PLANNER					
<b>BENEDICT + RIVA</b>			<b>BENEDICT + RIVA GmbH</b> <b>Rödelstrasse 13</b> <b>04229 Leipzig, Germany</b>		
ANSPRECHPARTNER CONTACT PERSON		Matthias Anderle			
PLANART PLANNING TYPE	STATUS STATUS	PLANFORMAT FORMAT	MAßSTAB SCALE	GEZEICHNET DESIGNED BY	GEPRÜFT CHECKED BY
-	-	DIN A4	-	B.J.Ni	M.A.
PLANNUMMER DOCUMENT NUMBER					
-					

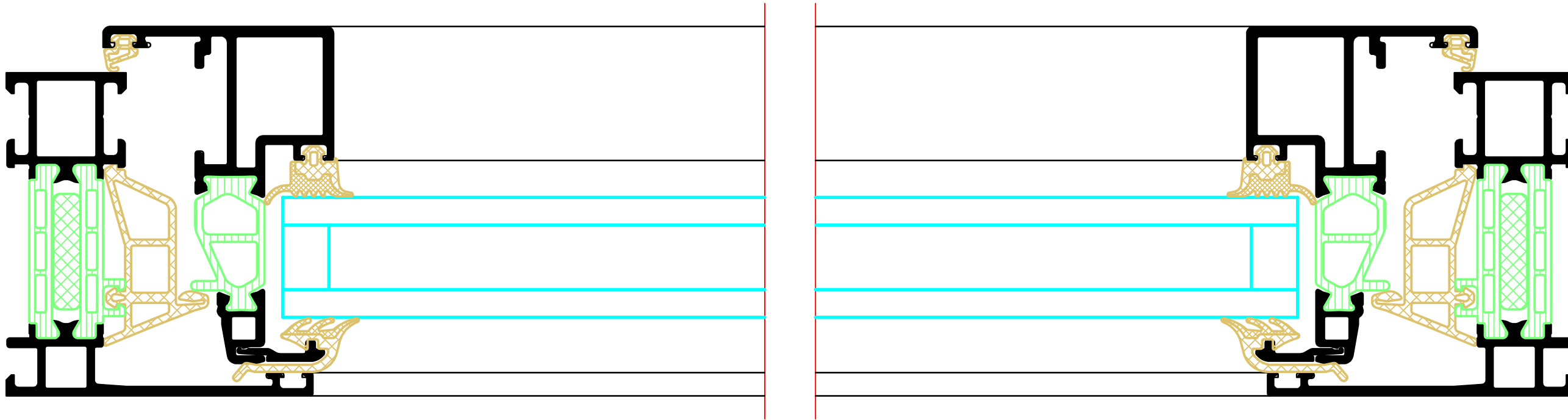




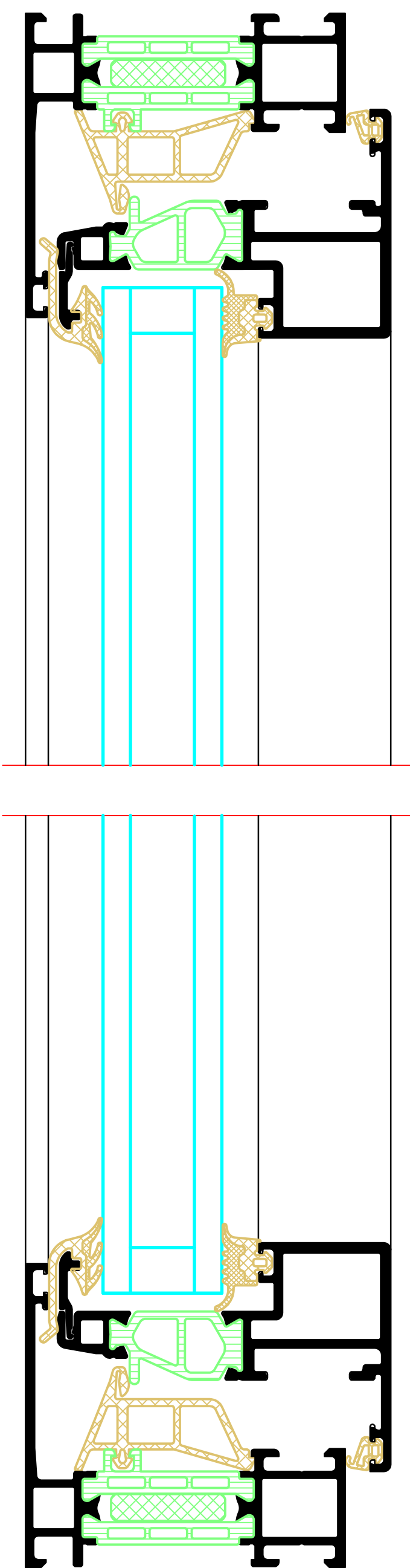
Einflügliges Fenster  
Single-vent window



A



B



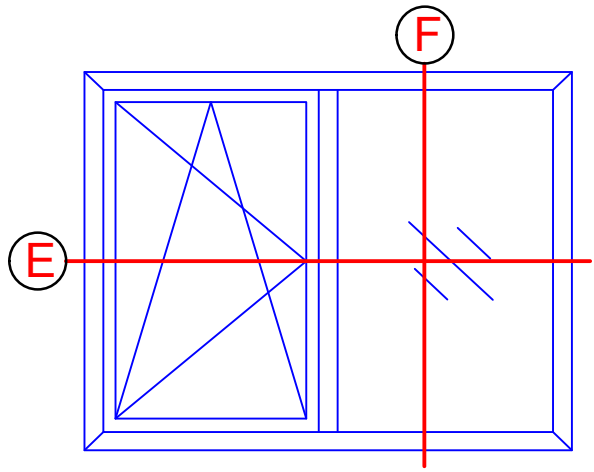
**BENEDICT**  
**+ RIVA**

INDEX	DATE	REVISION	DESIGNED BY	CHECKED BY
INDEX	DATE	REVISION	DESIGNED BY	CHECKED BY
PLANNING	DATE	REVISION	DESIGNED BY	CHECKED BY
Riva Elementschritte Riva Unit section details				
PROJECT	Fenster RIVA AWS 70 BS HI Innen öffnend Window RIVA AWS 70 BS HI inward opening			PROJECT NO.
CLIENT				
PLANNING				
DESIGNED BY	BENEDICT + RIVA			
CHECKED BY	BENEDICT + RIVA GmbH Röselstraße 19 04229 Leipzig, Germany			
PLANNING TYPE	STATUS	FORMAT	SCALE	DESIGNED BY
PLANNING TYPE	STATUS	FORMAT	SCALE	DESIGNED BY
PLANNING TYPE	STATUS	FORMAT	SCALE	DESIGNED BY
PLANNING TYPE	STATUS	FORMAT	SCALE	DESIGNED BY

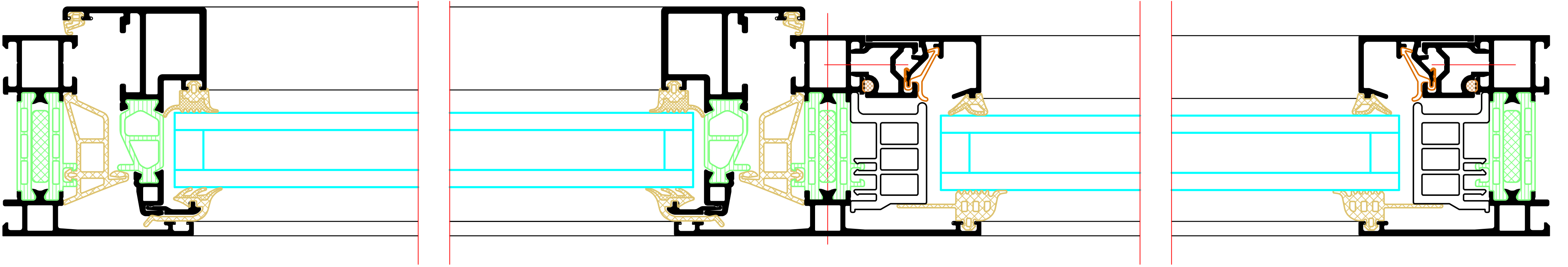




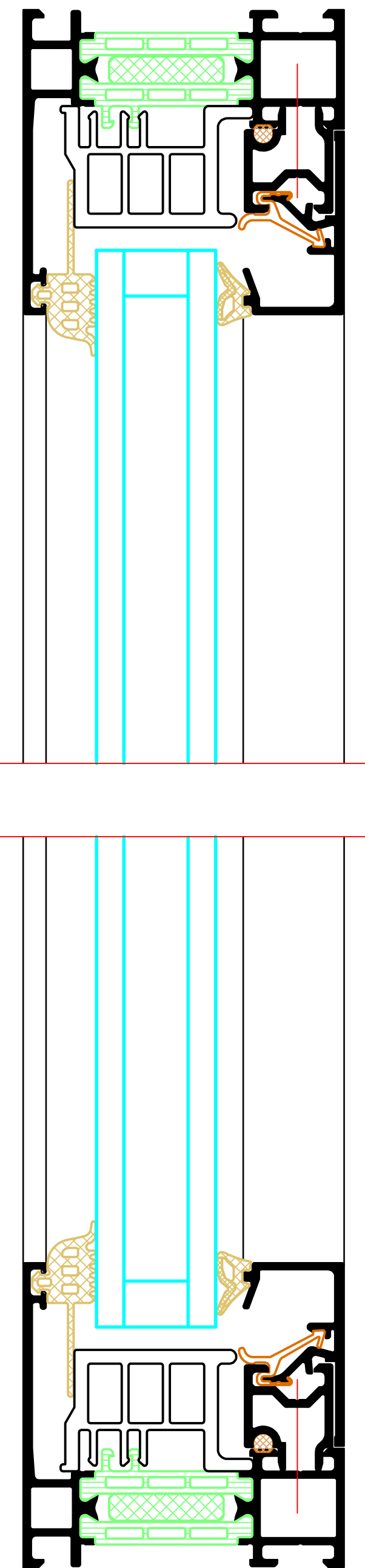
Einflügliges Fenster mit Festfeld  
 Single-vent window with fixed light



E



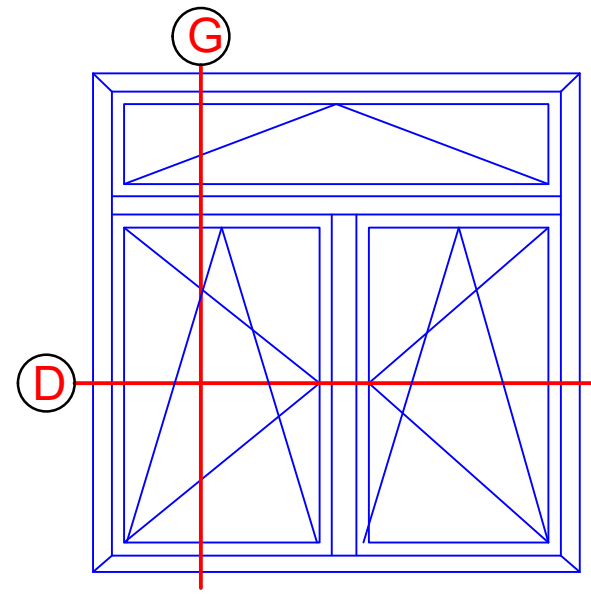
F



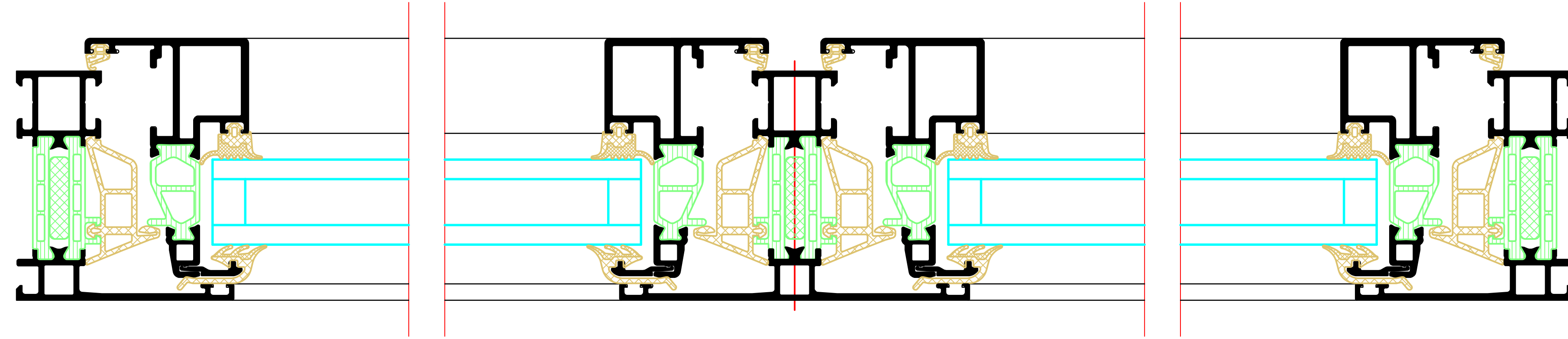
**BENEDICT**  
**+ RIVA**

INDEX	DATE	REVISION	DESIGNED BY	CHECKED BY
PLANNING	DATE	CHANGE	DESIGNED BY	CHECKED BY
Riva Elementschritte Riva Unit section details				
PROJECT	Fenster RIVA AWS 70 BS.Hi Innen öffnend Window RIVA AWS 70 BS.Hi inward opening			PROJECT NO. PROJECT NO.
OWNER	CLIENT			
PLANNING	PLANNER			
<b>BENEDICT + RIVA</b>				
<b>BENEDICT + RIVA GmbH</b> Rödelstraße 13 04229 Leipzig, Germany				
ANSCHRAUBEN	NUTZEN ANWENDE			
CONTACT PERSON	STATUS	PLANNING	SCALE	DESIGNED BY
PLANNING TYPE	STATUS	FORMAT	SCALE	DESIGNED BY
PLANNING TYPE	STATUS	FORMAT	SCALE	DESIGNED BY
PLANNING TYPE	STATUS	FORMAT	SCALE	DESIGNED BY
PLANNING TYPE	STATUS	FORMAT	SCALE	DESIGNED BY

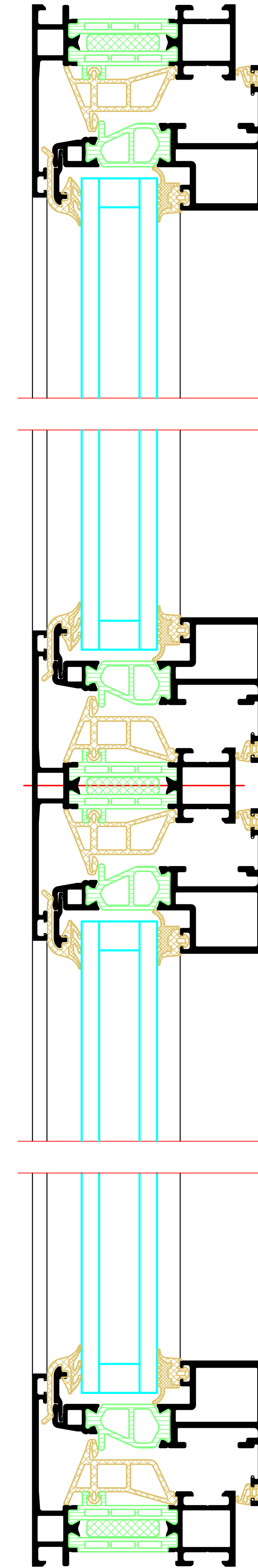
Zweiflügeliges Fenster mit Oberlicht  
Vent + vent with toplight



D



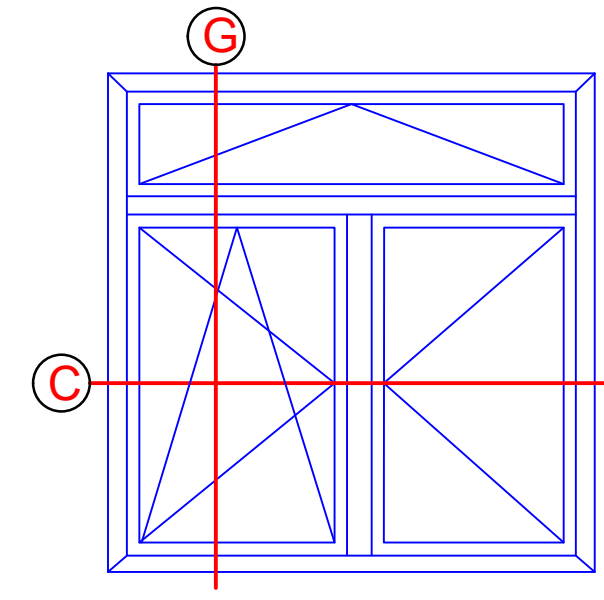
G



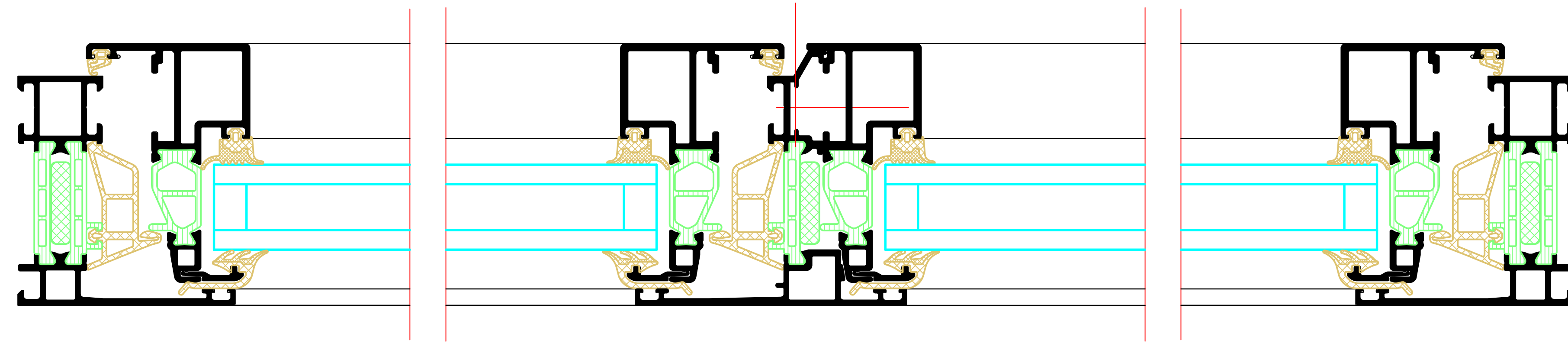
Item	2024	2024	2024	2024	2024
Code	2024	2024	2024	2024	2024
Material	2024	2024	2024	2024	2024
Quantity	2024	2024	2024	2024	2024
Unit	2024	2024	2024	2024	2024
Price	2024	2024	2024	2024	2024
Total	2024	2024	2024	2024	2024
<p>BENEDICT + RIVA BENEDICT + RIVA GmbH Helmholtzstr. 35 42699 Solingen, Germany</p>					



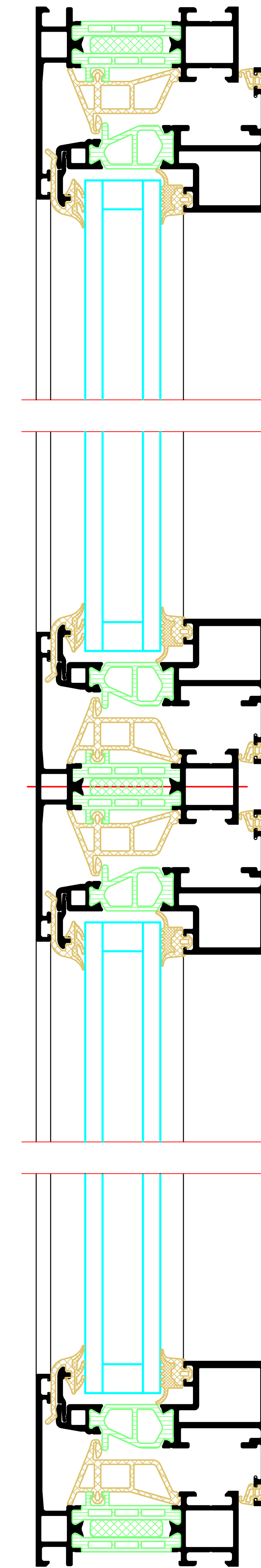
Stulpfenster mit Oberlicht  
 Double-vent window with toplight



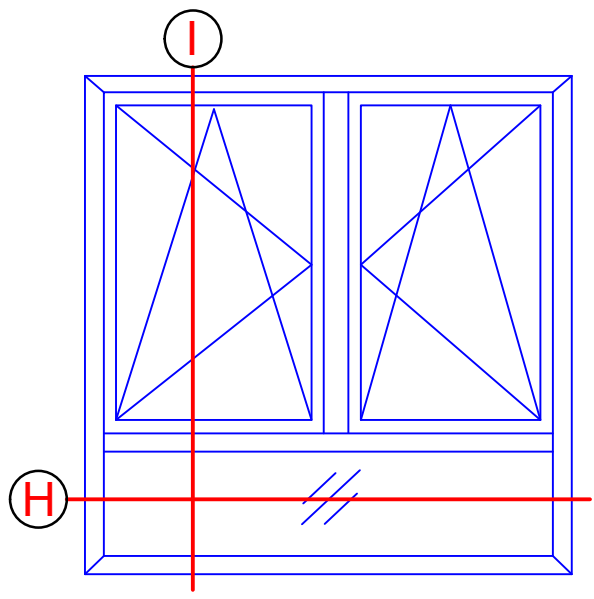
C



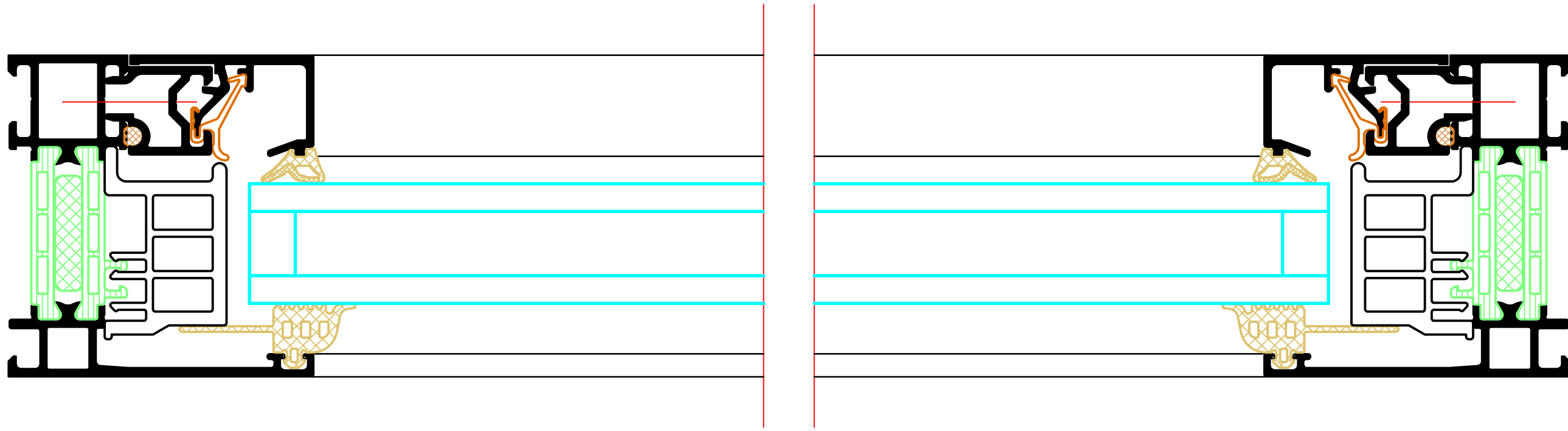
G



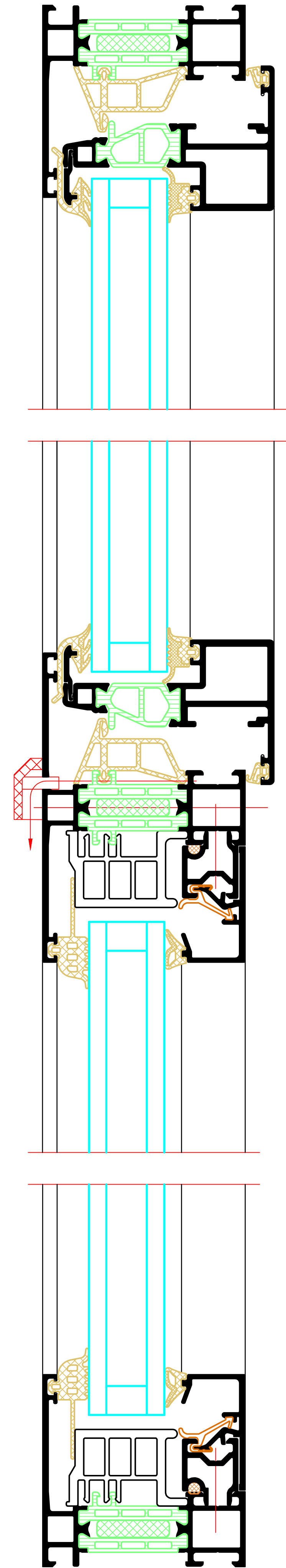
Zweiflügliges Fenster mit Unterlicht  
 Vent + vent with bottom light



H



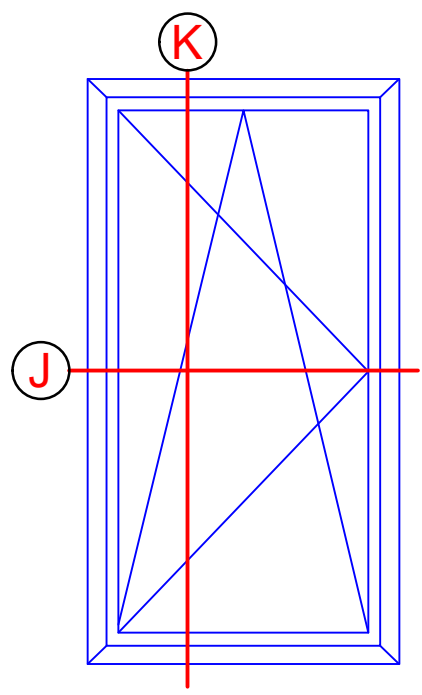
I



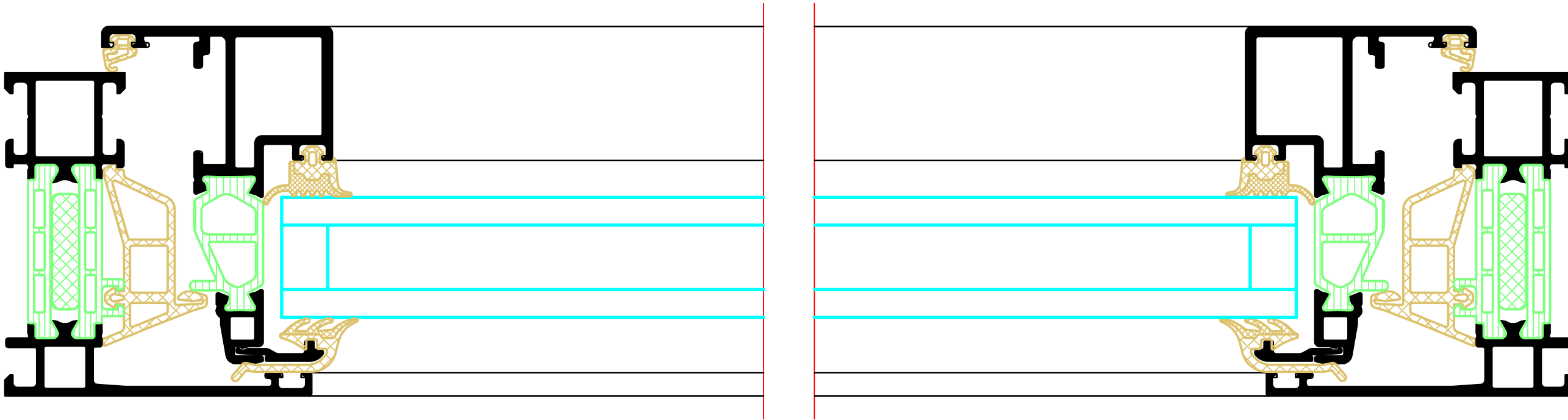
**BENEDICT**  
**+ RIVA**

NO.	DATE	REVISION	DESIGNED BY	CHECKED BY
1	2023-08-15	1	M. Andros	
<b>PLANNING PLAN COVER</b> Riva Elementschnitte Riva Unit section details				
<b>PROJECT</b> Fenster RIVA AWS 70 BS HI Innen offhend Window RIVA AWS 70 BS HI Inward opening				<b>PROJECT NO.</b> -
<b>CLIENT</b> -				
<b>PLANNING</b> BENEDICT + RIVA Riedelstrasse 13 04229 Leipzig, Germany				
<b>PLANNING TYPE</b> -	<b>STATUS</b> -	<b>FORMAT</b> DWG	<b>SCALE</b> -	<b>DESIGNED BY</b> M. Andros
<b>PLANNING NUMBER</b> -				

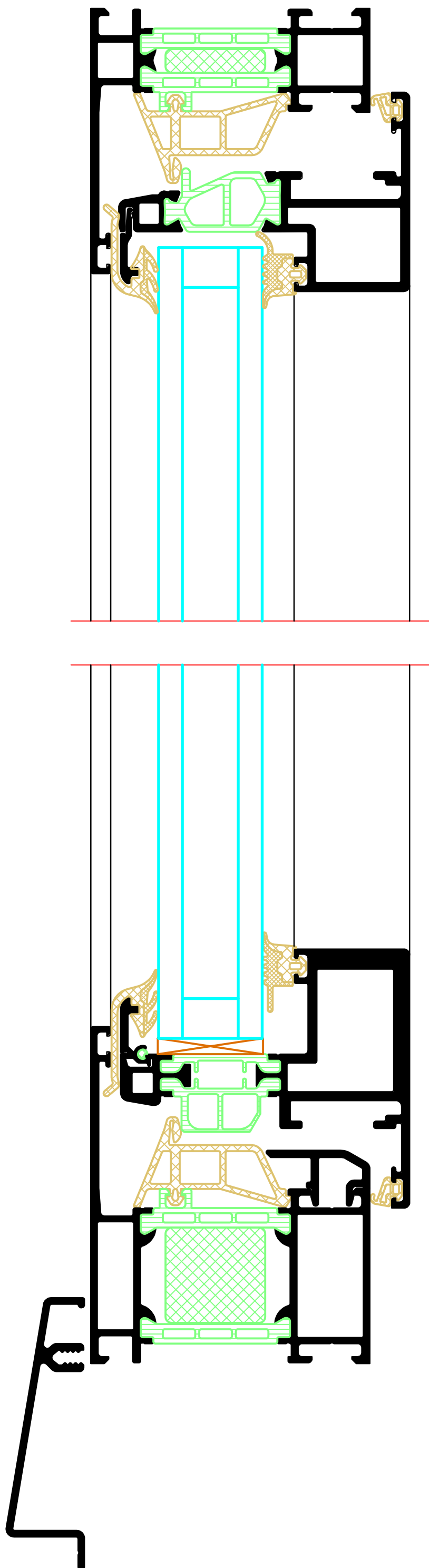
Fenstertür  
Window door



J



K



INDEX	DATE	DESCRIPTION	DESIGNED BY	CHECKED BY
PLANNING				
PLANNING TYPE	STATUS	PLANNING TYPE	MAXIMUM SCALE	DESIGNED BY
PLANNING TYPE	STATUS	PLANNING TYPE	MAXIMUM SCALE	DESIGNED BY
PLANNING TYPE	STATUS	PLANNING TYPE	MAXIMUM SCALE	DESIGNED BY
PLANNING TYPE	STATUS	PLANNING TYPE	MAXIMUM SCALE	DESIGNED BY

Riva Elementarschnitte  
Riva Unit section details

PROJECT  
PROJECT  
PROJECT

CLIENT

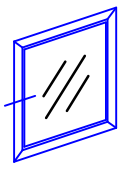
BENEDICT + RIVA  
Rüdigerstrasse 19  
04109 Leipzig, Germany

ANSCHLUSSPARTNER  
CONTACT PERSON  
CONTACT PERSON  
CONTACT PERSON

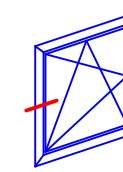
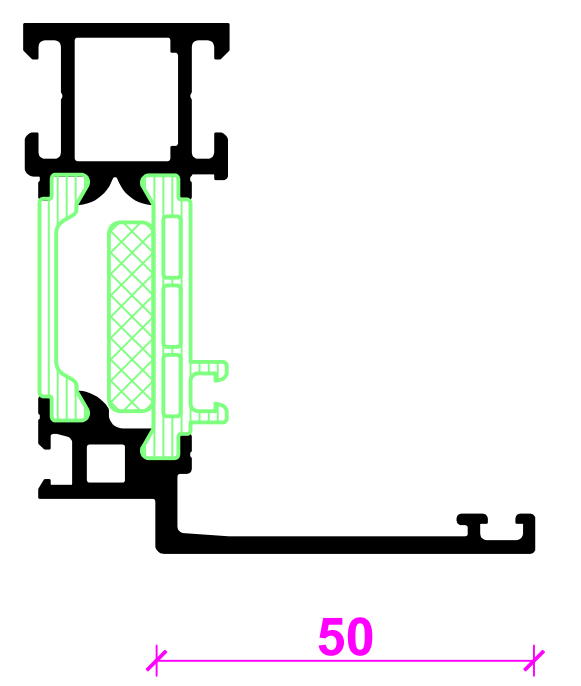
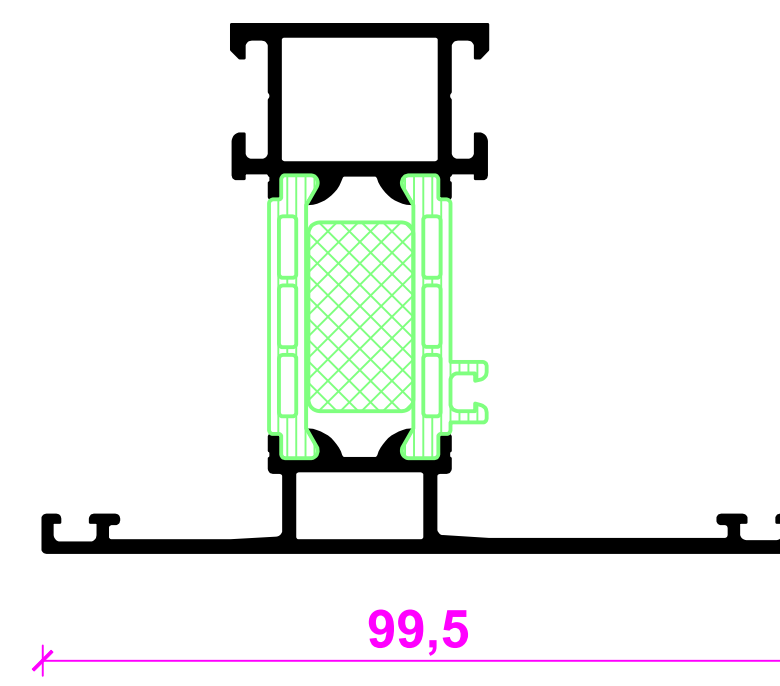
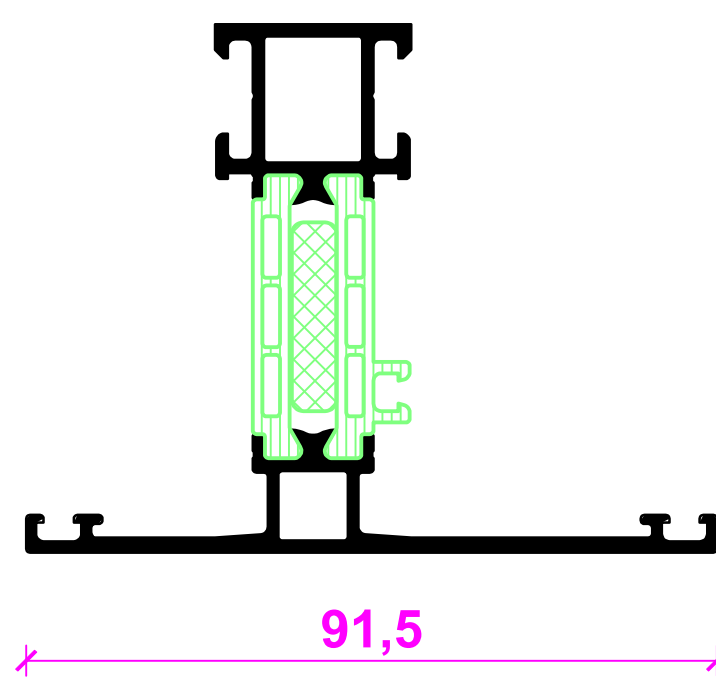
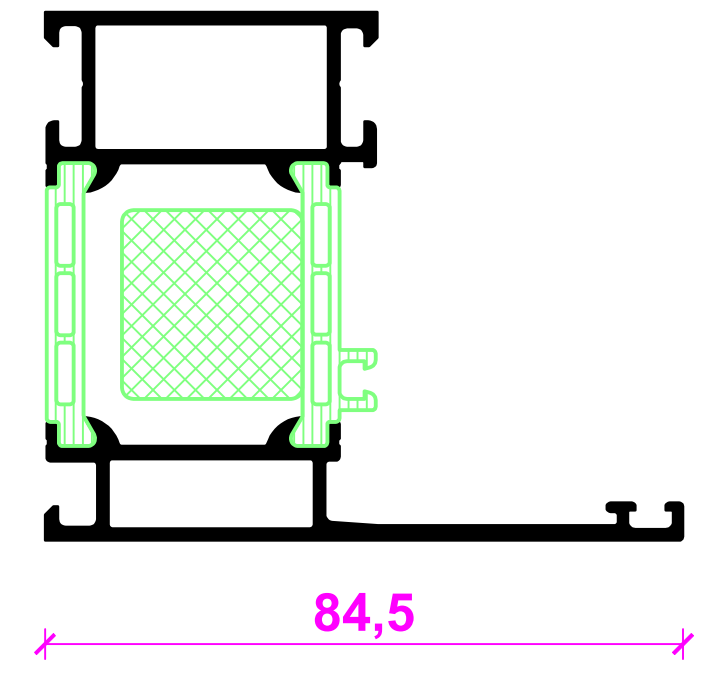
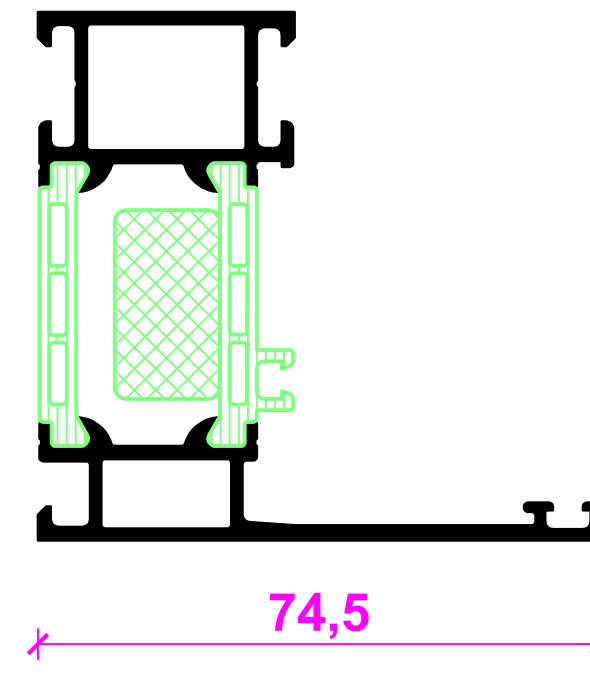
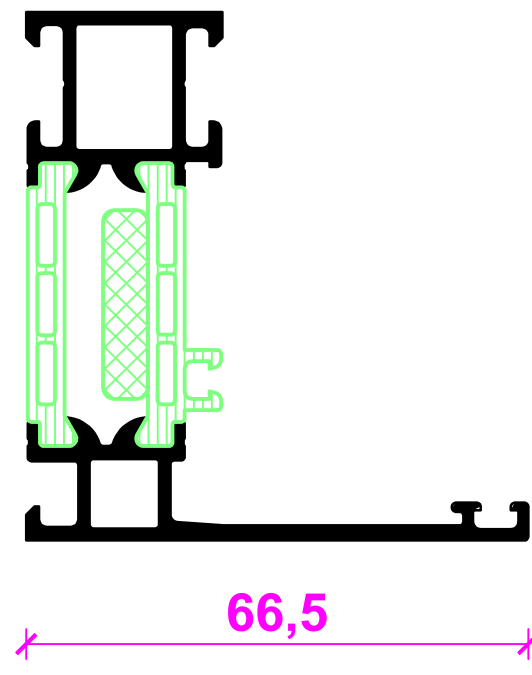
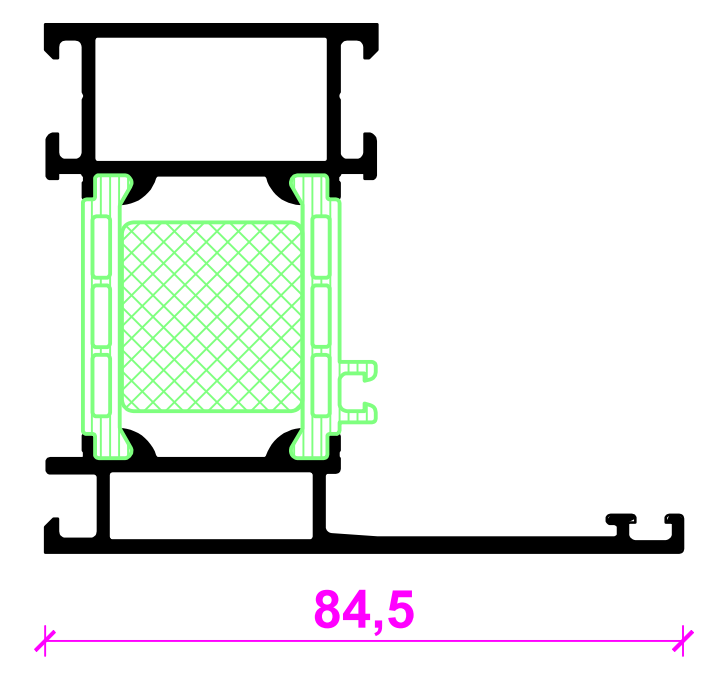
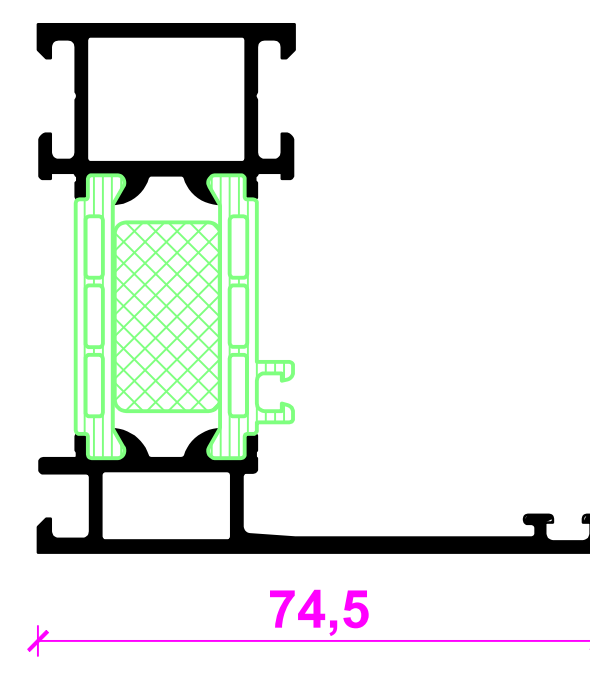
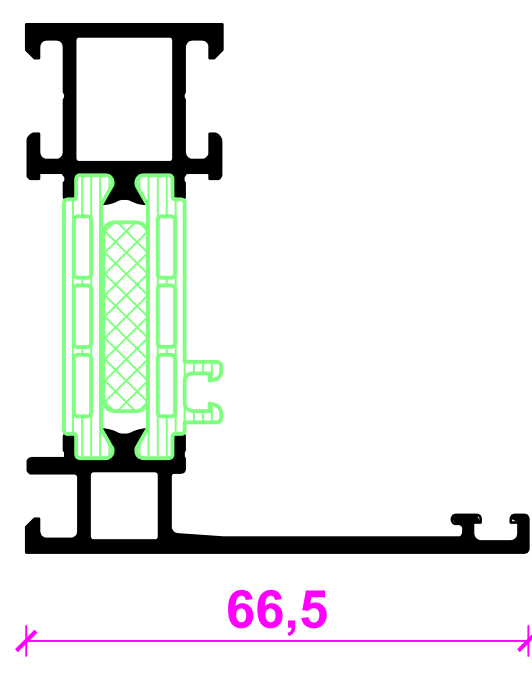
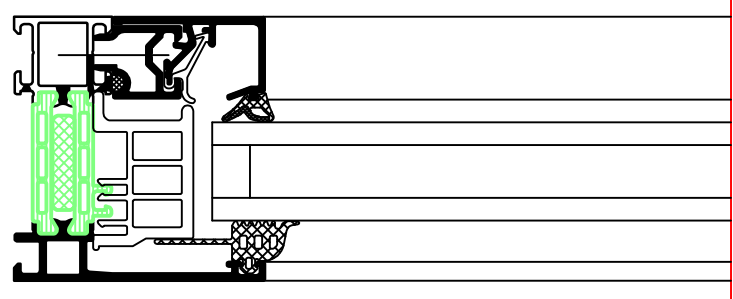
PLANNING TYPE  
STATUS  
PLANNING TYPE  
MAXIMUM SCALE  
DESIGNED BY  
CHECKED BY

PLANNING TYPE  
STATUS  
PLANNING TYPE  
MAXIMUM SCALE  
DESIGNED BY  
CHECKED BY

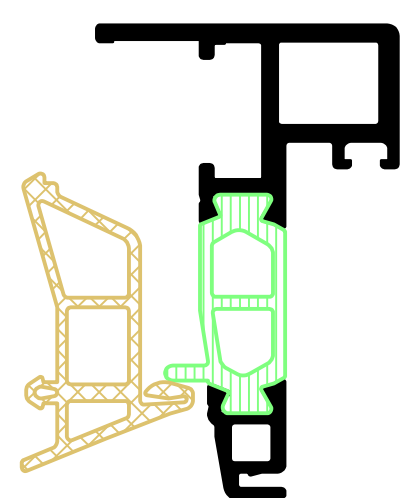
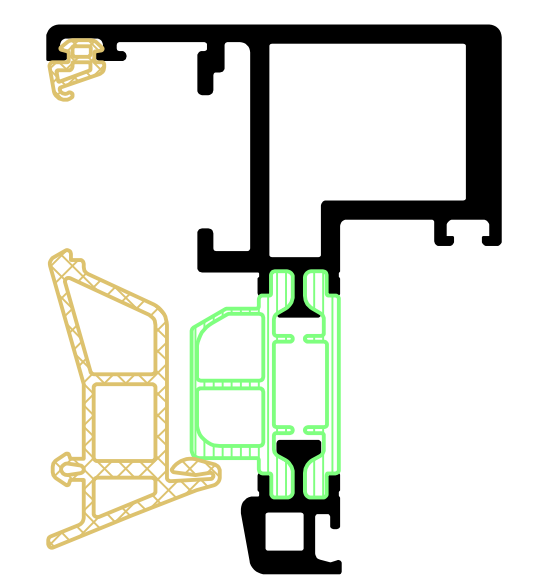
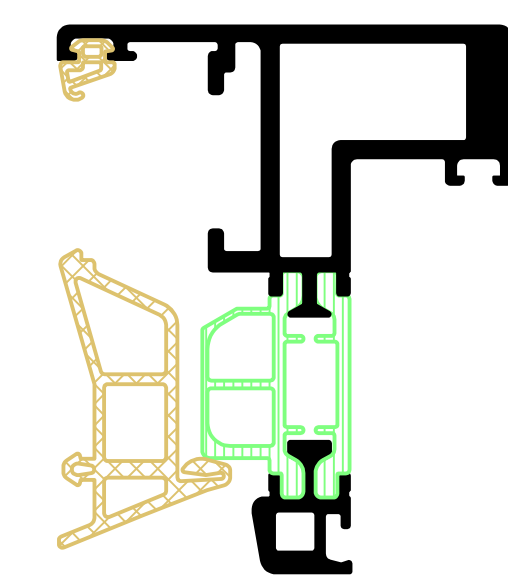
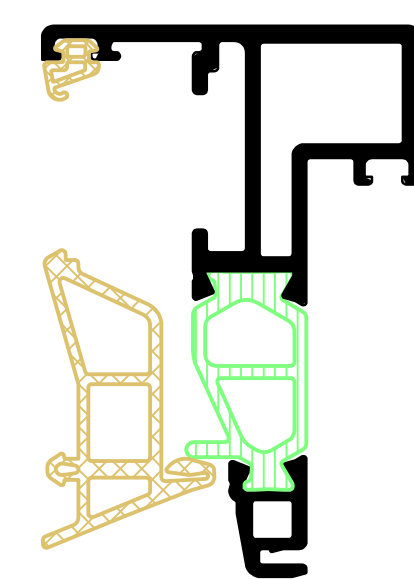
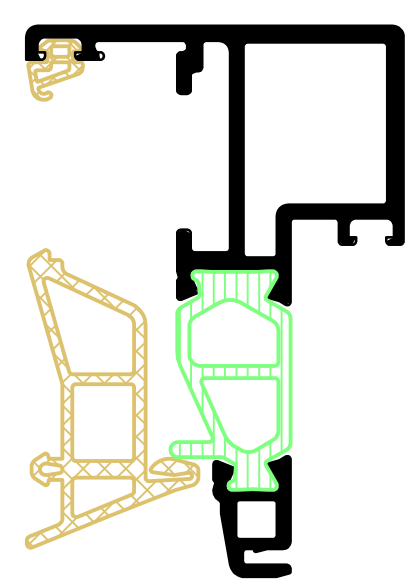
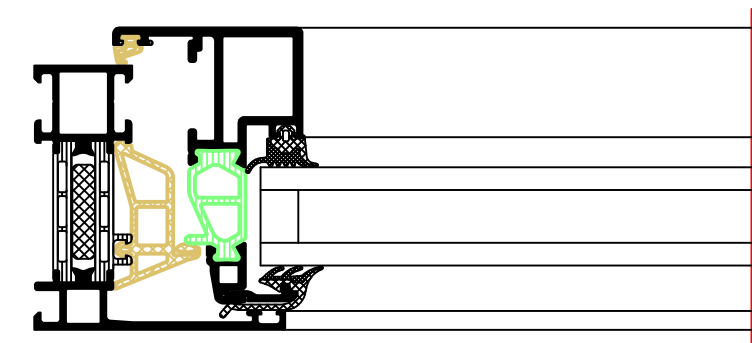




Blendrahmenprofil  
Outer frame profile

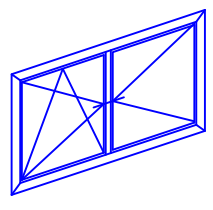


Flügelprofil  
Vent profile

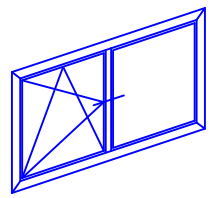
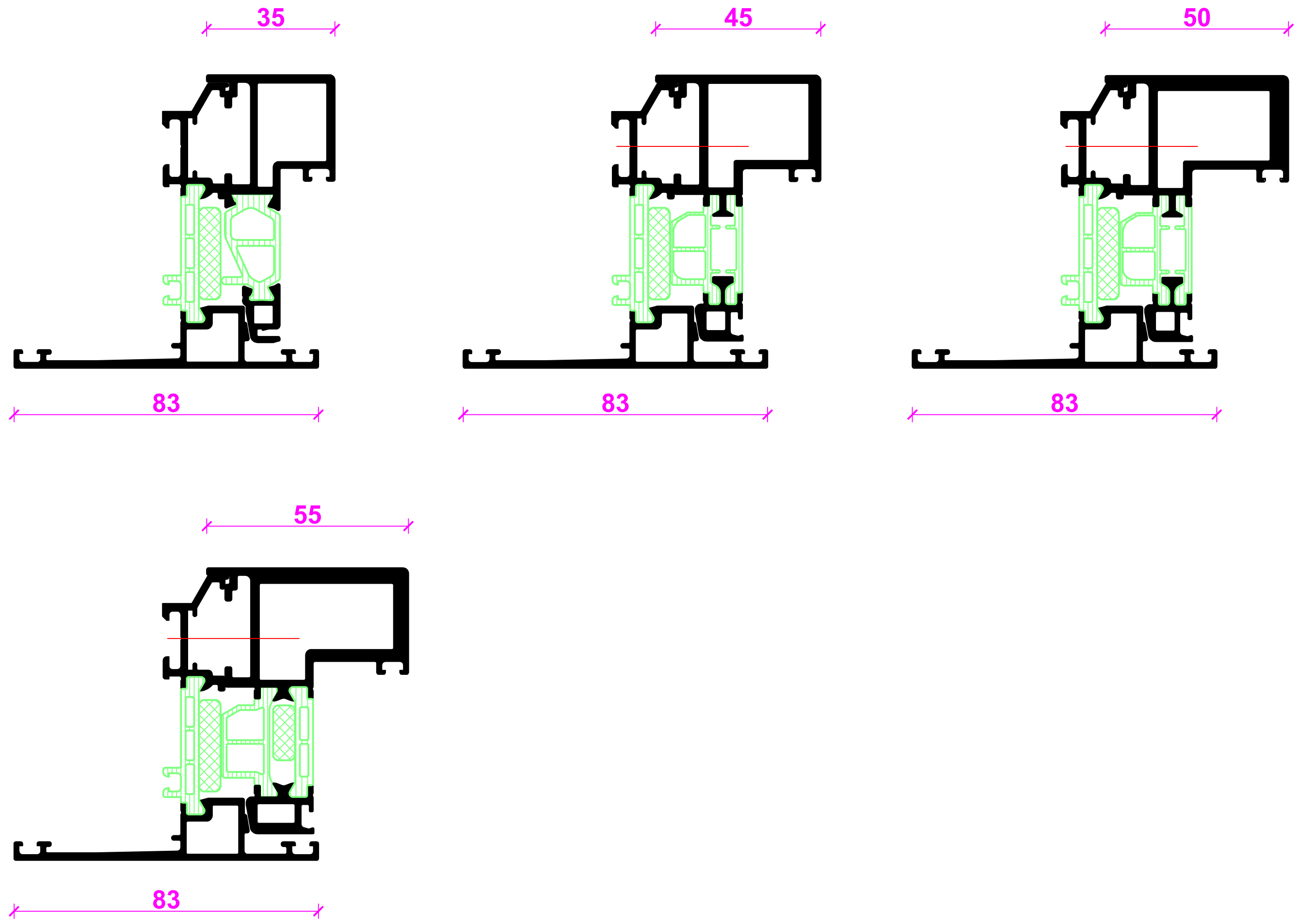
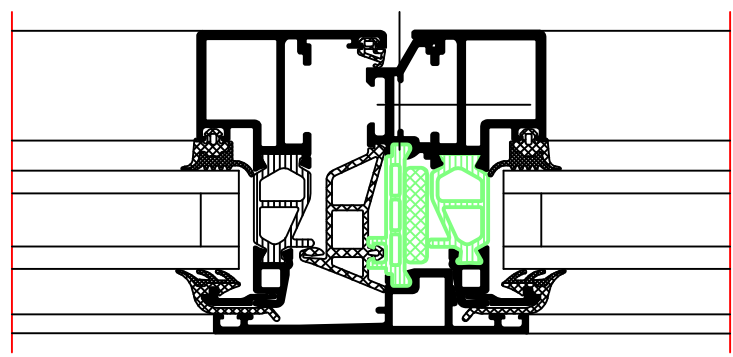


Flügel flächenbündig  
Vent, flush-fitted

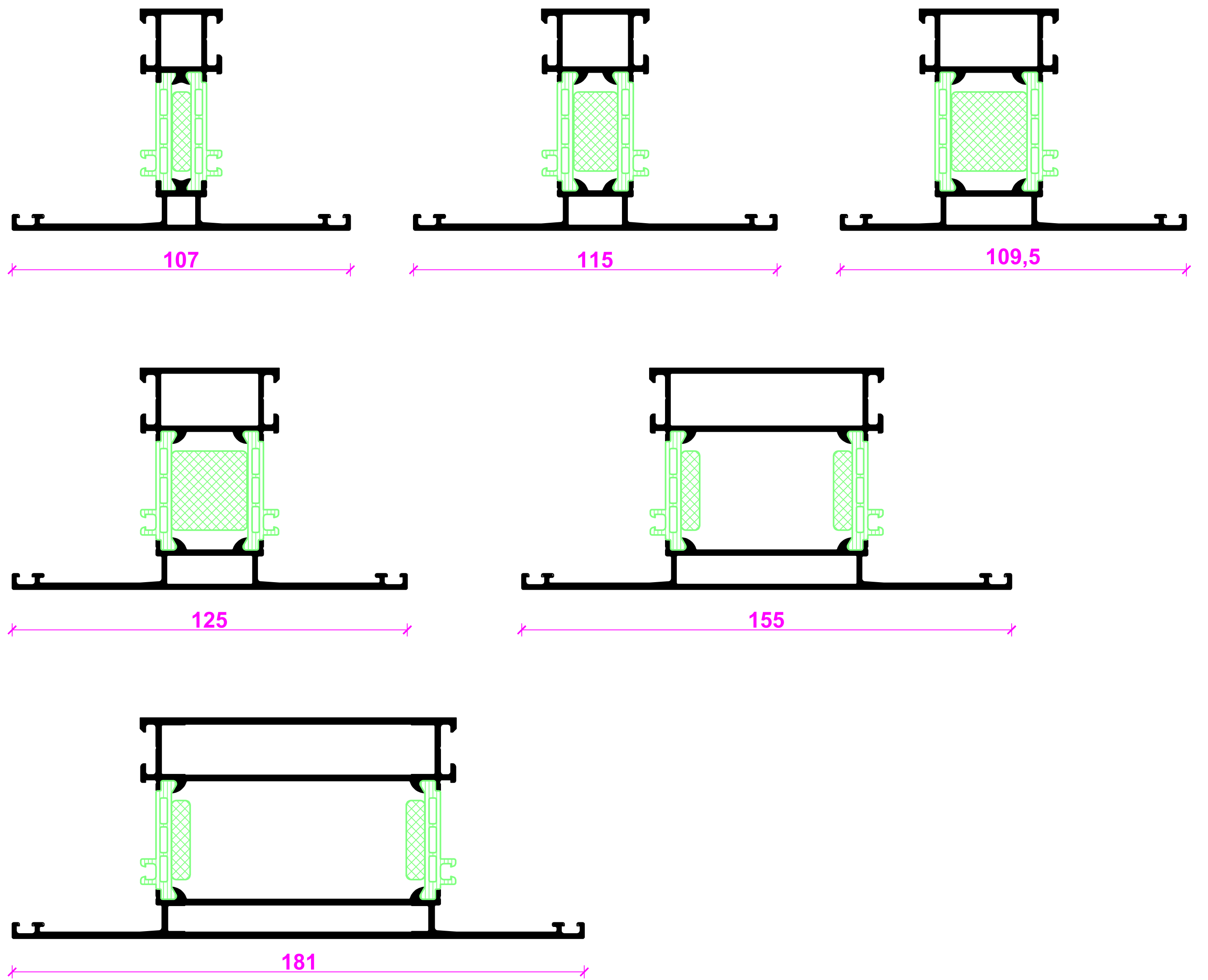
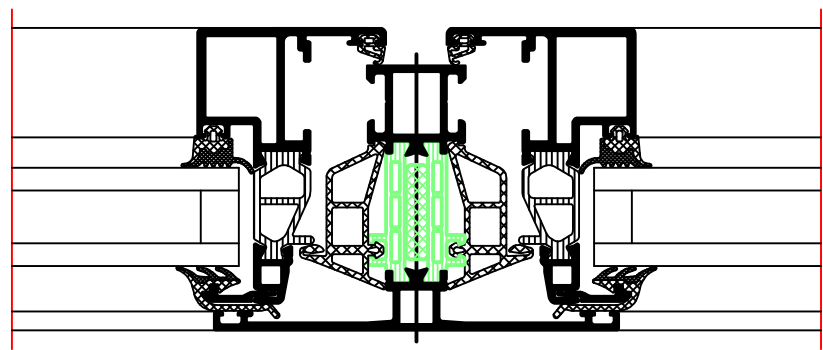
NO.	DATE	REVISION	DESIGNED BY	CHECKED BY
PLANNING				
PROJECT				
CLIENT				
PLANNING				
PROJECT				
CLIENT				
PLANNING				
PROJECT				
CLIENT				



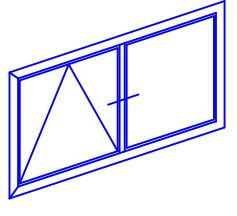
Stulpprofil und Stulpflügelprofil  
Double-vent profile and double-vent vent profile



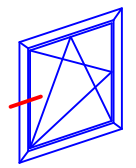
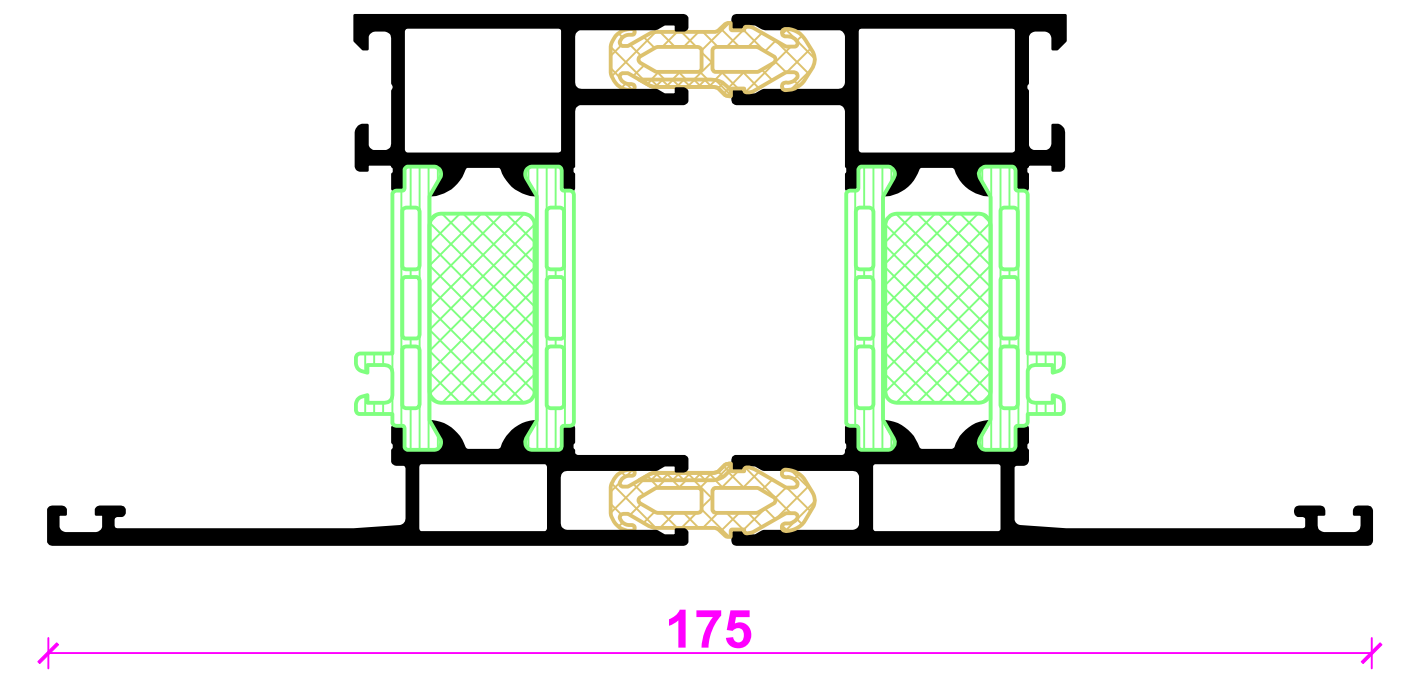
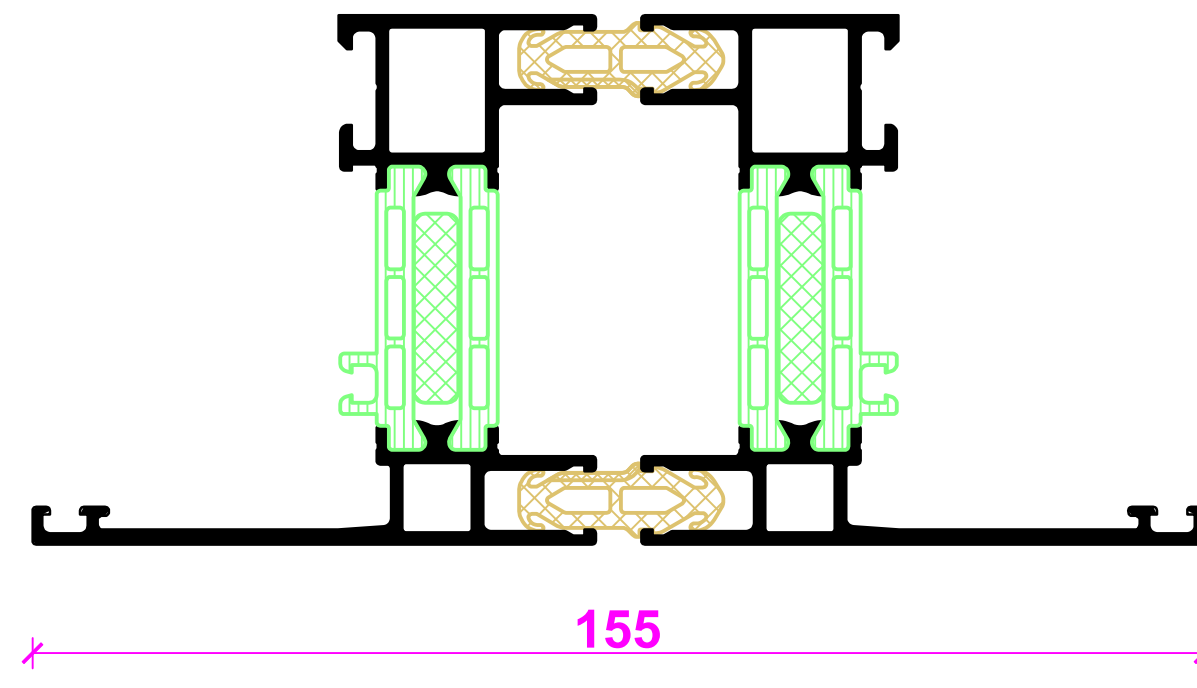
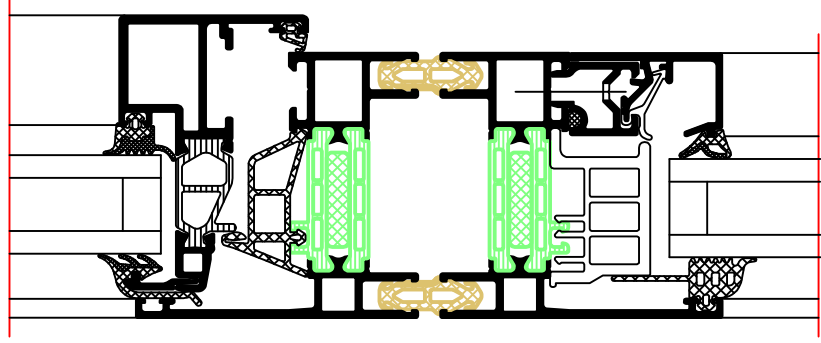
Riegel / Pfosten  
Transom/mullion



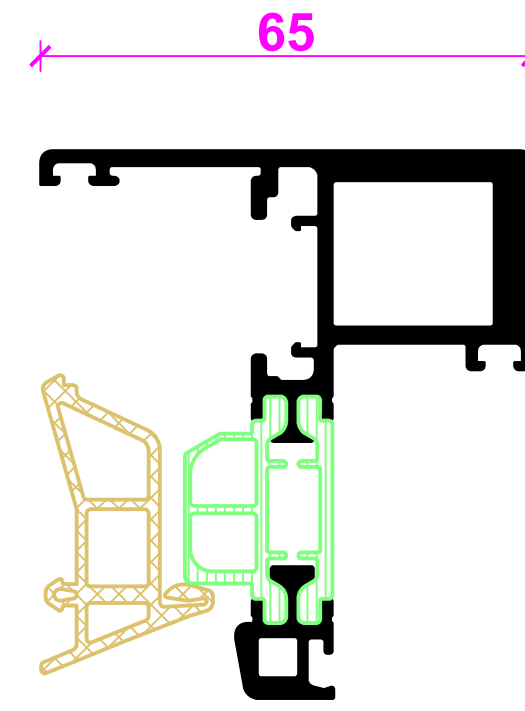
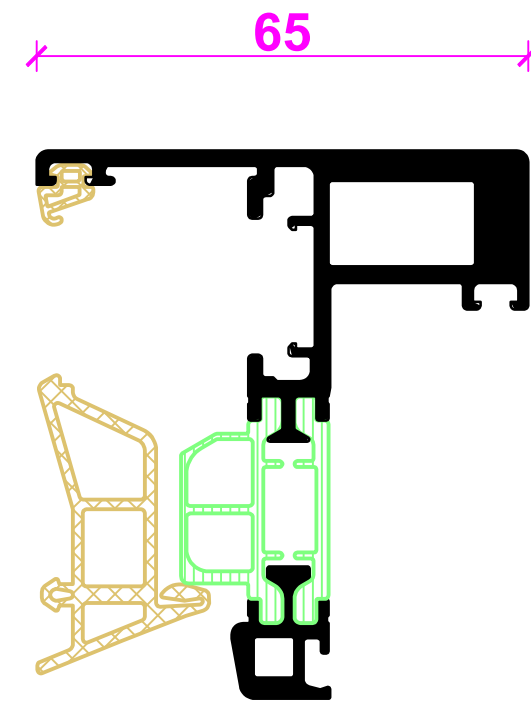
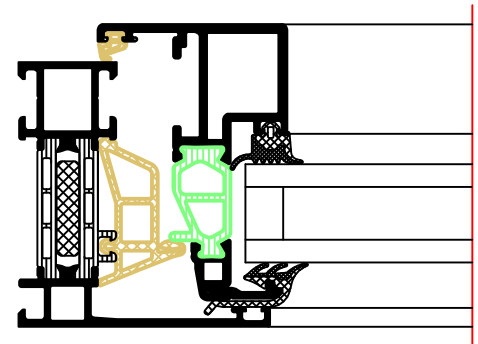
INDEX	DATE	REVISION	DESIGNED BY	CHECKED BY	
PLANNING					
PLANNING					
PROJECT					
Riva Profilsysteme					
Riva Profile systems					
PROJECT					
Fenster RIVA AWS 70 BS.HI Innen öffnend					
Window RIVA AWS 70 BS.HI inward opening					
CLIENT					
-					
PLANNING					
BENEDICT + RIVA					
BENEDICT + RIVA GmbH					
Rödelstrasse 19					
04229 Leipzig, Germany					
PLANNING	STATUS	PLANNING	SCALE	DESIGNED	CHECKED
PLANNING	STATUS	PLANNING	SCALE	DESIGNED	CHECKED
PLANNING	STATUS	PLANNING	SCALE	DESIGNED	CHECKED
PLANNING	STATUS	PLANNING	SCALE	DESIGNED	CHECKED



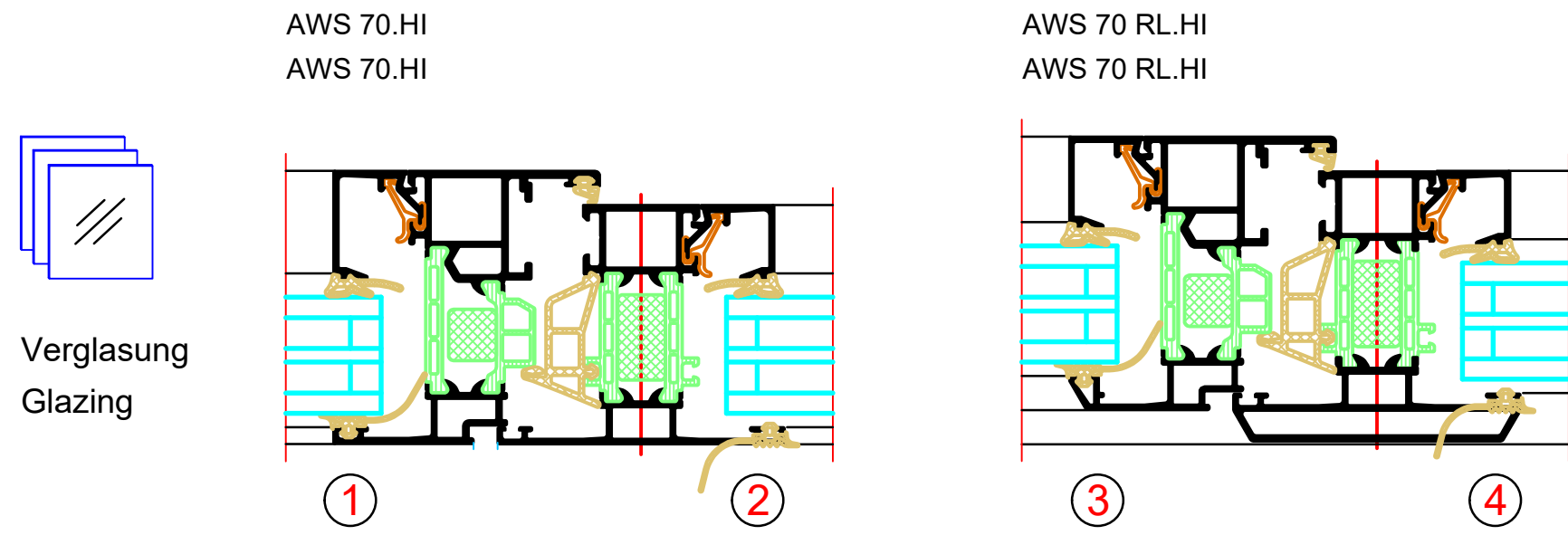
Dehnungs- und Montagestoß  
Expansion and assembly joint



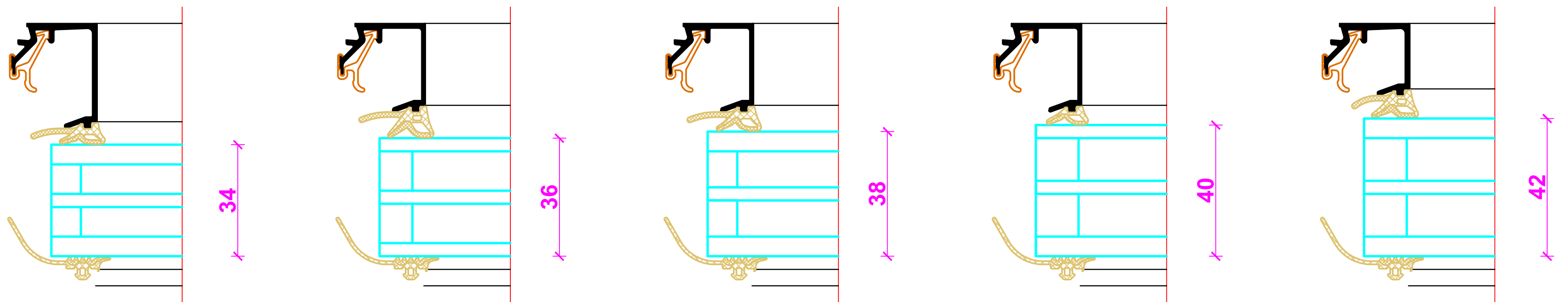
Flügelprofil TipTronic  
TipTronic vent profile



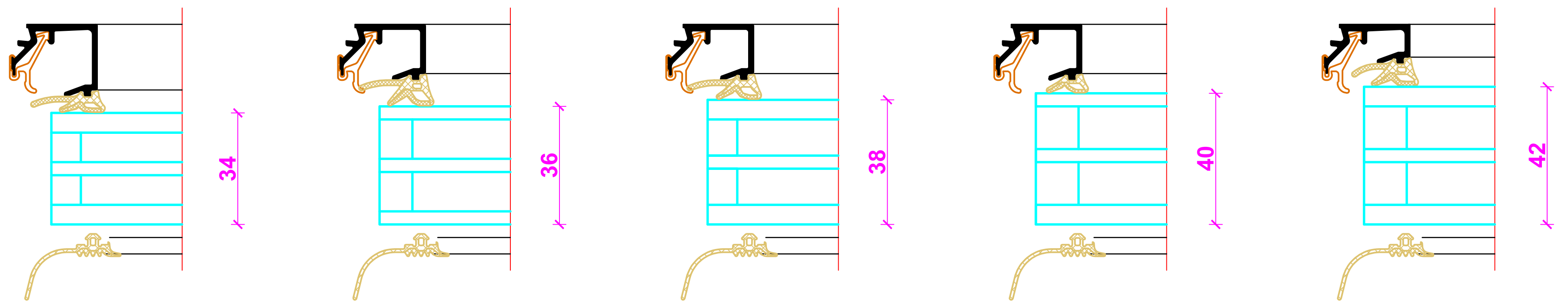
INDEX	DATE	REVISION	DESIGNED BY	CHECKED BY
PLANNING				
PLANNING				
PROJECT				
Fenster RIVA AWS 70 BS.HI Innen öffnend				
Window RIVA AWS 70 BS.HI Inward opening				
CLIENT				
-				
PLANNING				
BENEDICT + RIVA				
BENEDICT + RIVA GmbH Rödelstraße 13 04229 Leipzig, Germany				
PLANNING	STATUS	FORMAT	SCALE	DESIGNED BY
PLANNING	STATUS	DRAWING	SCALE	DESIGNED BY
PLANNING	STATUS	FORMAT	SCALE	DESIGNED BY
PLANNING	STATUS	FORMAT	SCALE	DESIGNED BY



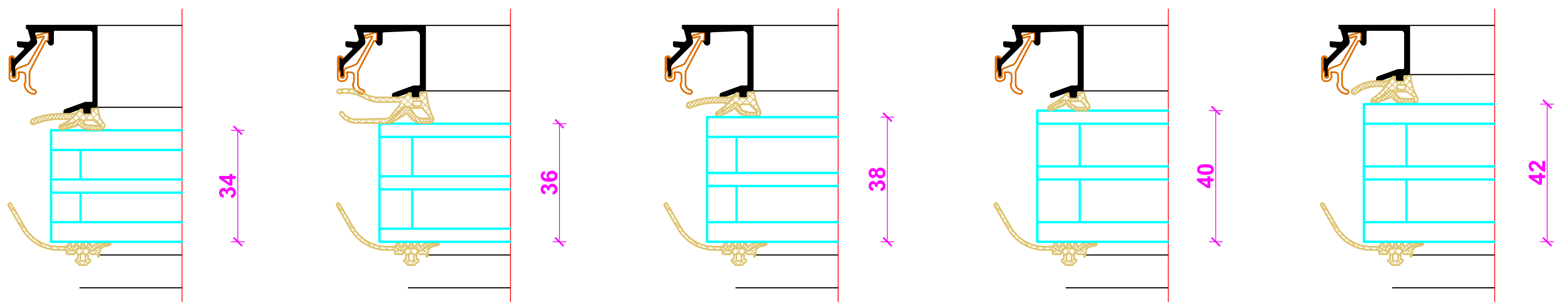
**1** \* 3-fach Verglasung - Flügel - AWS 70.HI  
Triple glazing - vent - AWS 70.HI



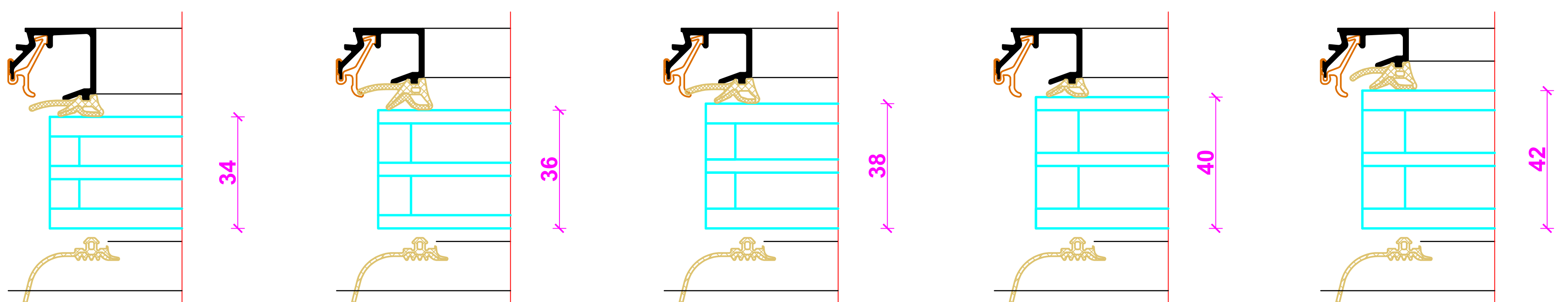
**2** \* 3-fach Verglasung - Pfosten / Blendrahmen - AWS 70.HI  
Triple glazing - mullion / outer frame - AWS 70.HI



**3** \* 3-fach Verglasung - Flügel - AWS 70.RL.HI  
Triple glazing - vent - AWS 70.RL.HI



**4** \* 3-fach Verglasung - Pfosten / Blendrahmen - AWS 70.RL.HI  
Triple glazing - mullion / outer frame - AWS 70.RL.HI



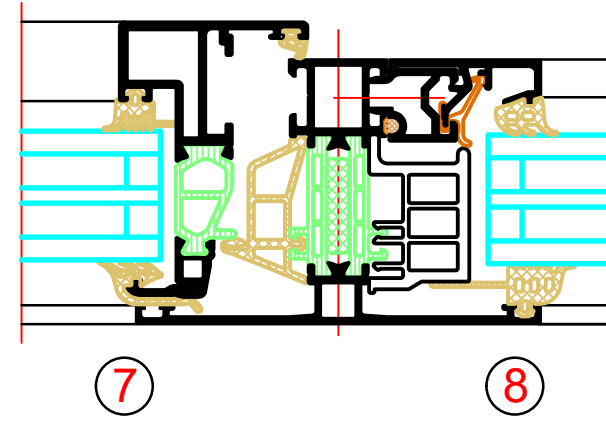
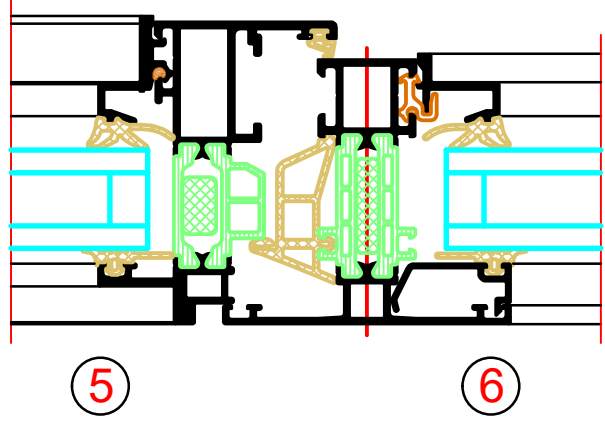
- \* Alternative Glasleisten - Gestaltungsleisten
- \* Alternative glazing beads - feature glazing beads

INDEX	DATE	REVISION	DESIGNED BY	CHECKED BY
PLANNING / PLAN CONTROL				
Riva Profilsysteme Riva Profile systems				
PROJECT / PROJECT				
Fenster RIVA AWS 70 BS.HI Innen öffnend Window RIVA AWS 70 BS.HI inward opening				
CUSTOMER / CLIENT				
PLANNING / PLANNER				
BENEDICT + RIVA				
BENEDICT + RIVA GmbH Röselstraße 13 04229 Leipzig, Germany				
ANSCHREIBER / CONTACT PERSON	STATUS	PLANNING TYPE	FORMAT	SCALE
PLANNING NUMBER				

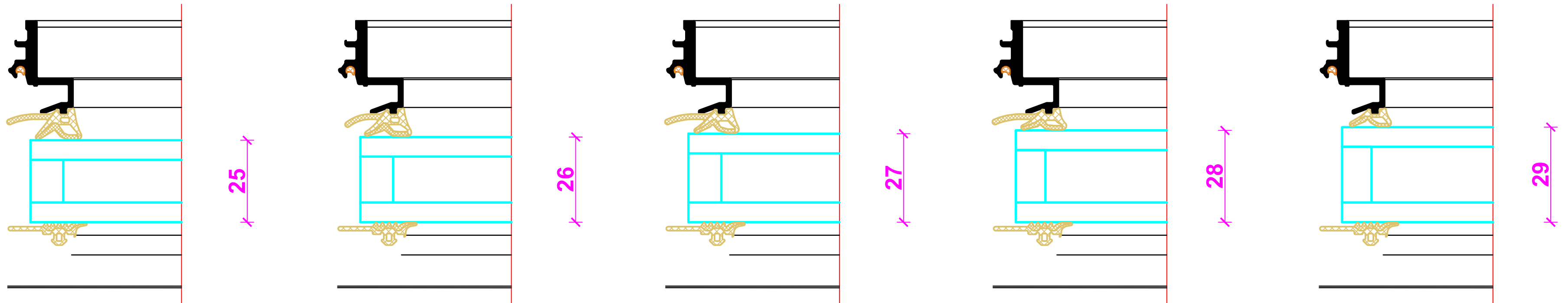


AWS 70 ST.HI  
AWS 70 ST.HI

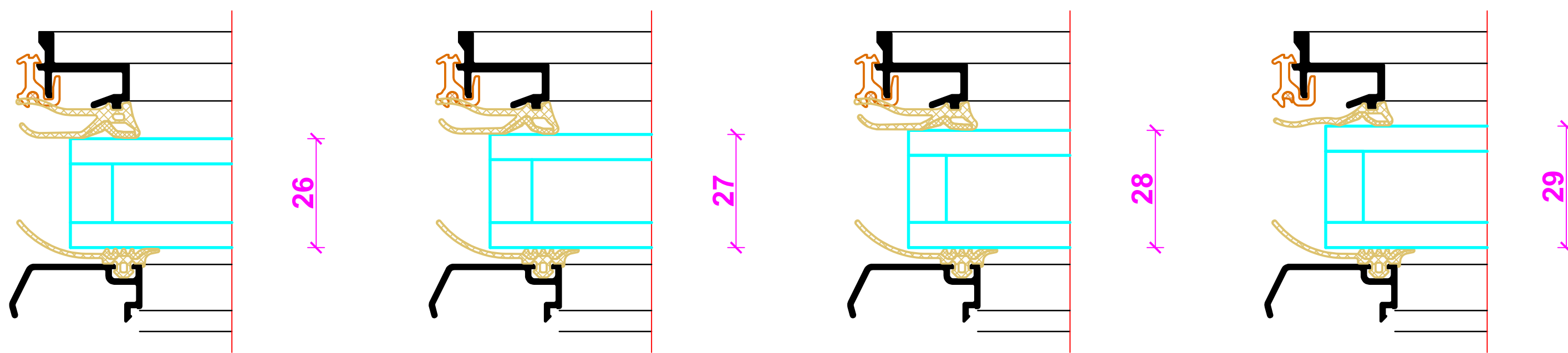
AWS 70 BS.HI  
AWS 70 BS.HI



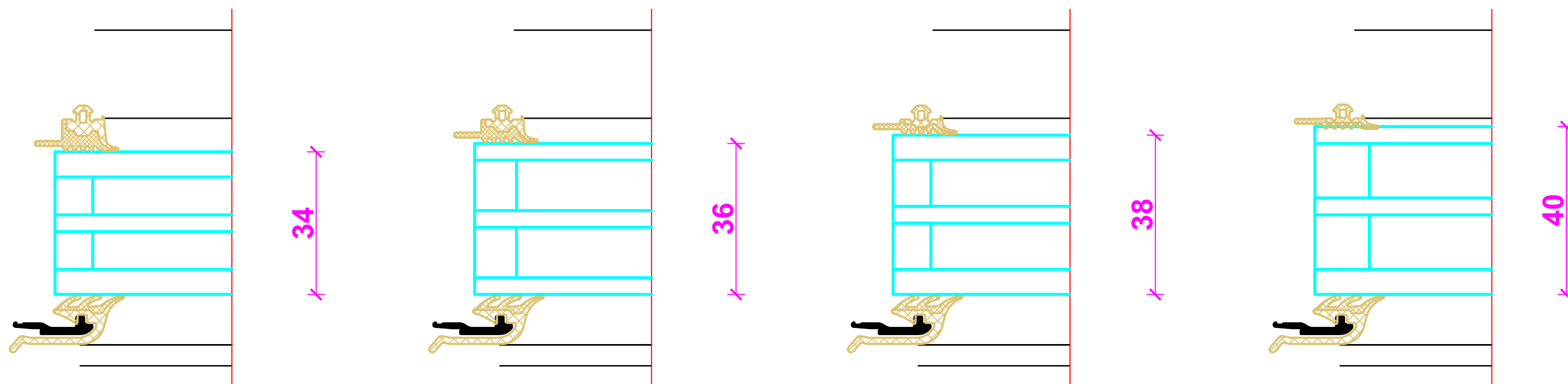
5 2-fach Verglasung - Flügel - AWS 70 ST.HI  
Double glazing - vent - AWS 70 ST.HI



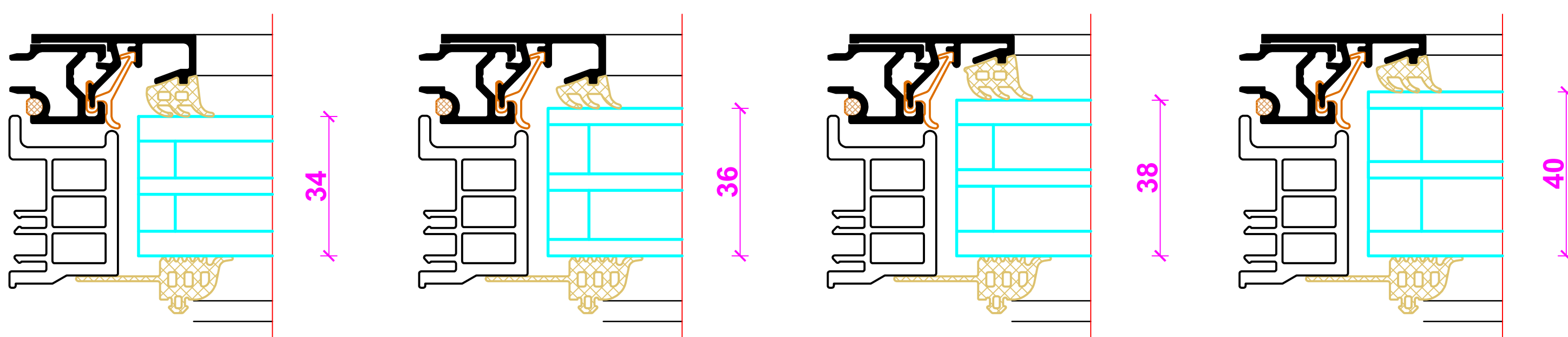
6 2-fach Verglasung - Pfosten / Blendrahmen - AWS 70 ST.HI  
Double glazing - mullion / outer frame - AWS 70 ST.HI



7 3-fach Verglasung - Pfosten / Blendrahmen - AWS 70 BS.HI  
Triple glazing - mullion / outer frame - AWS 70 BS.HI



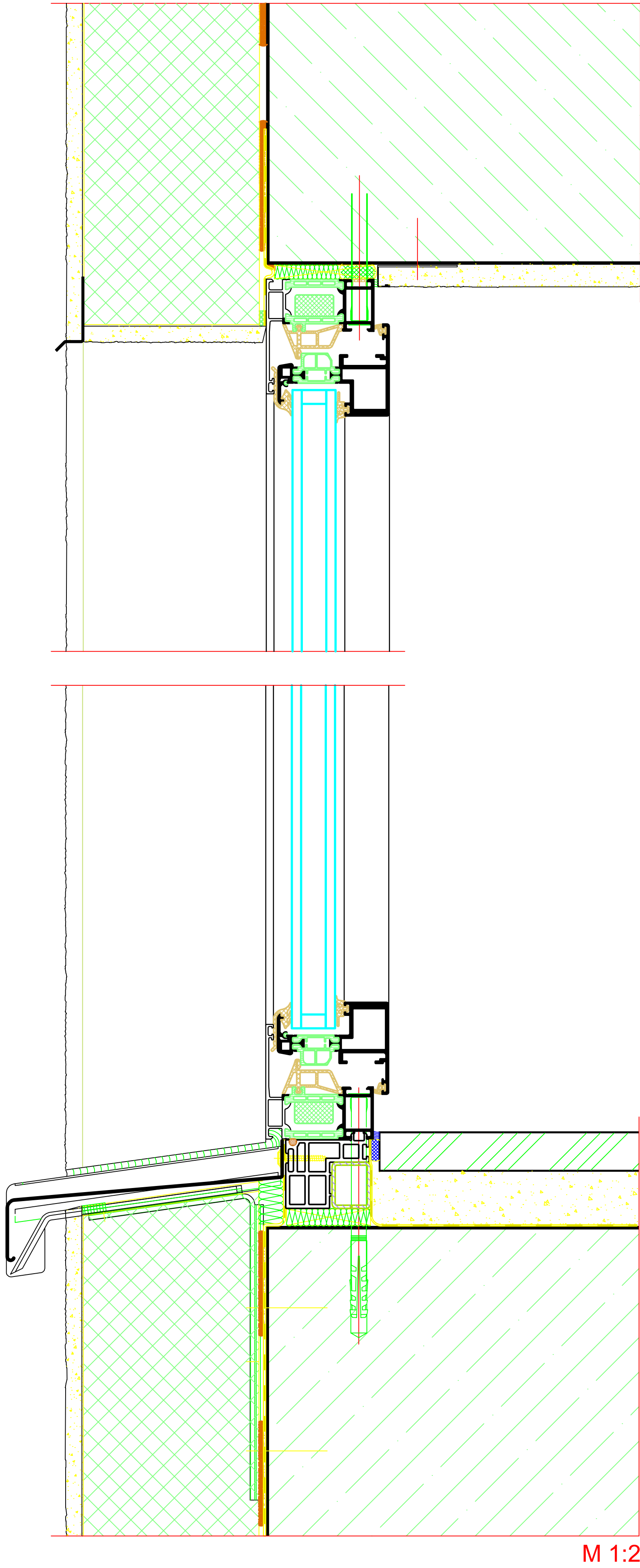
8 3-fach Verglasung - Pfosten / Blendrahmen - AWS 70 BS.HI  
Triple glazing - mullion / outer frame - AWS 70 BS.HI



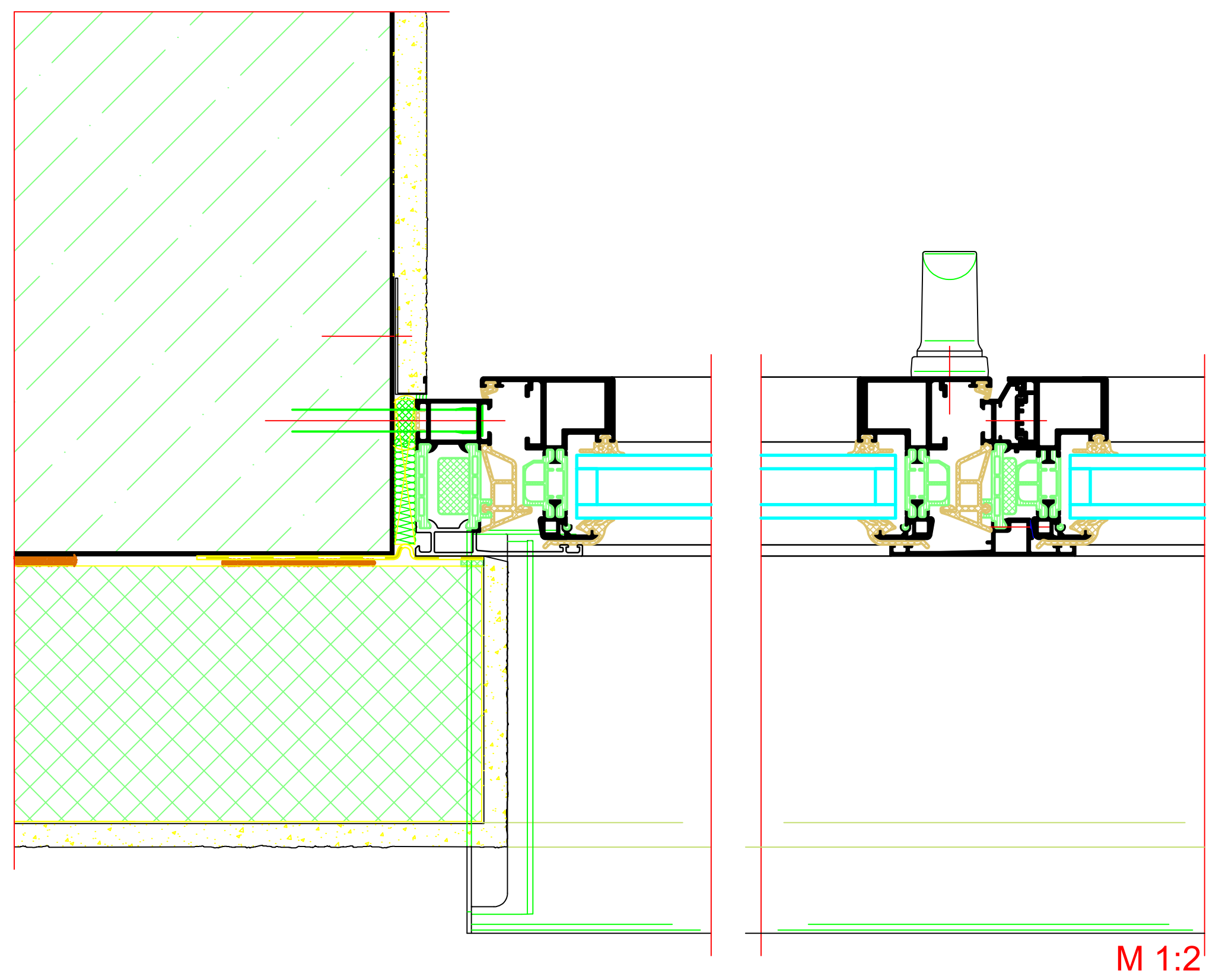
INDEX	DATE	REVISION	DESIGNED BY	CHECKED BY
PLANNING PLAN CONTACT				
Riva Profilsysteme Riva Profile systems				
PROJECT PROJECT Fenster RIVA AWS 70 BS.HI Innen öffnend Window RIVA AWS 70 BS.HI inward opening				PROJECT NO. PROJECT IAK
ARCHITECT CLIENT				
PLANNING PLANNER <b>BENEDICT + RIVA</b> BENEDICT + RIVA GmbH Röcklestrasse 19 04328 Leipzig, Germany				
ANSCHLUSSPARTNER	SOUTH AFRICA			
CONTACT PERSON	STATUS	PLANNING FORMAT	MASTER SCALE	DESIGNED BY
PLANNING TYPE	STATUS	FORMAT	SCALE	CHECKED BY
PLANNING NUMBER	DOCUMENT NUMBER			

Wand mit WDVS  
 Wall with composite  
 thermal insulation  
 system

Oberer Anschluss  
 Top attachment



Seitlicher Anschluss  
 Side attachment



Unterer Anschluss  
 Bottom attachment

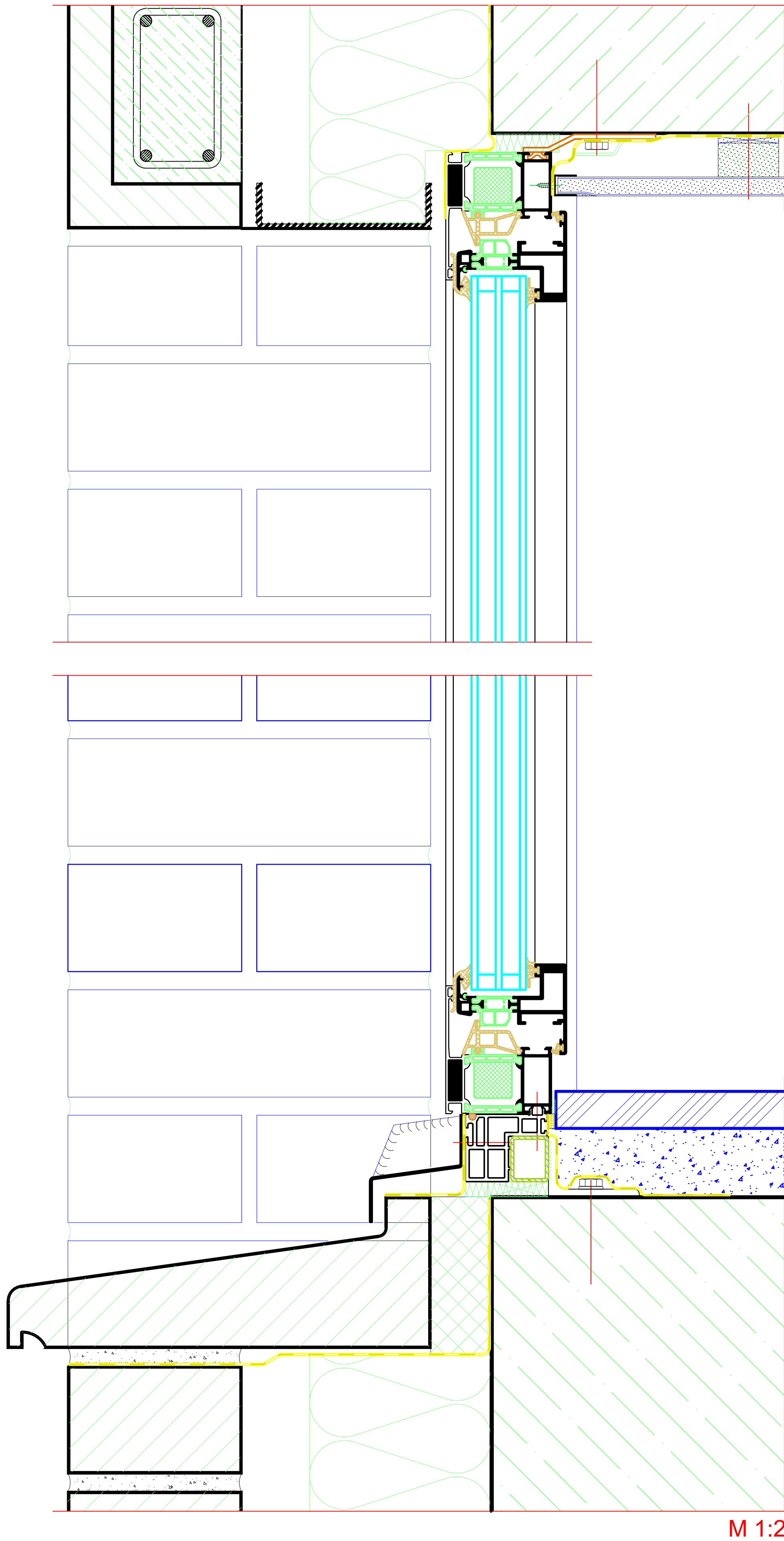
**BENEDICT**  
**+ RIVA**

INDEX	DATE	REVISION	DESIGNED BY	CHECKED BY
INDEX	DATE	REVISION	DESIGNED BY	CHECKED BY
PLANNING	DATE	REVISION	DESIGNED BY	CHECKED BY
Riva Baukörperanschlüsse Riva Attachments to building structure				
Projekt Fenster RIVA AWS 70 BS HI Innen öffnend Window RIVA AWS 70 BS HI inward opening				
Auftraggeber CLIENT				
Planer PLANNER <b>BENEDICT + RIVA</b>				
Ansprechpartner CONTACT PERSON Mathias Andels				
PLANNING TYPE	STATUS	PLANNING DATE	SCALE	DESIGNED BY
PLANNING TYPE	STATUS	PLANNING DATE	SCALE	DESIGNED BY
PLANNING TYPE	STATUS	PLANNING DATE	SCALE	DESIGNED BY

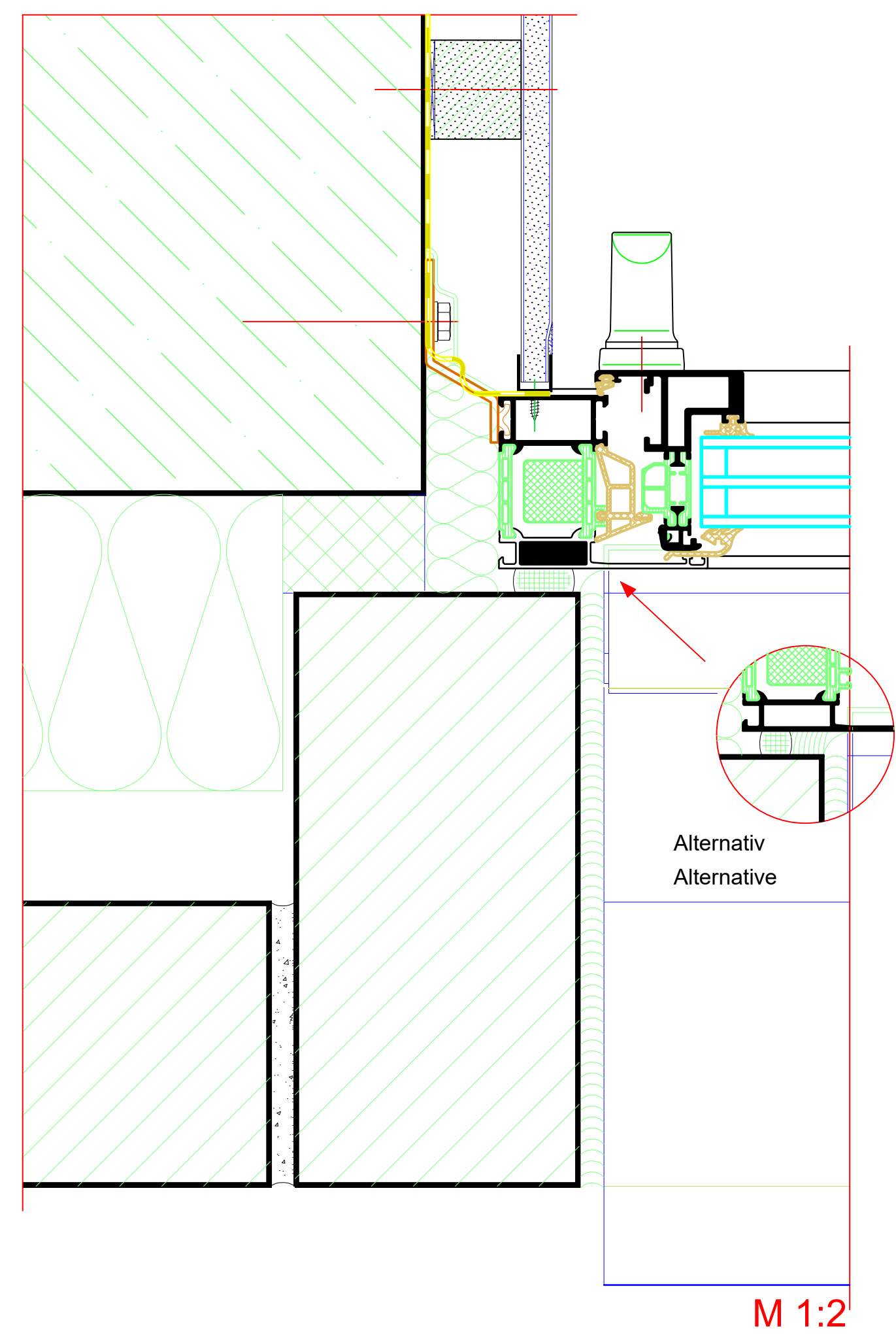
Wand zweischalig hinterlüftet  
Rear-ventilated double-skin wall

Oberer Anschluss  
Top attachment

Bauseitige Sperrfolie oberhalb des Sturzes berücksichtigen !  
Take on-site barrier film above the lintel into consideration.



Seitlicher Anschluss  
Side attachment



Unterer Anschluss  
Bottom attachment

NOX	DATE	ANW. /	DESIGNER	CHECKED
NOX	DATE	CHANGE	DESIGNED	CHECKED
PLANNING	PLANNING	DATE	DATE	DATE
RIVA Baukörperanschlüsse				
Riva Attachments to building structure				
PROJECT				
Fenster RIVA AWS 70 BS.HI Innen öffnend				
Window RIVA AWS 70 BS.HI inward opening				
CLIENT				
PLANNING				
BENEDICT + RIVA				
BENEDICT + RIVA GmbH				
Röschestraße 13				
04320 Leipzig, Germany				
ANSCHREIBER	CONTACT PERSON	STATUS	SCALE	CHECKED
PLANNING TYPE	STATUS	FORMAT	SCALE	CHECKED
PLANNING TYPE	STATUS	FORMAT	SCALE	CHECKED
PLANNING TYPE	STATUS	FORMAT	SCALE	CHECKED
PLANNING TYPE	STATUS	FORMAT	SCALE	CHECKED