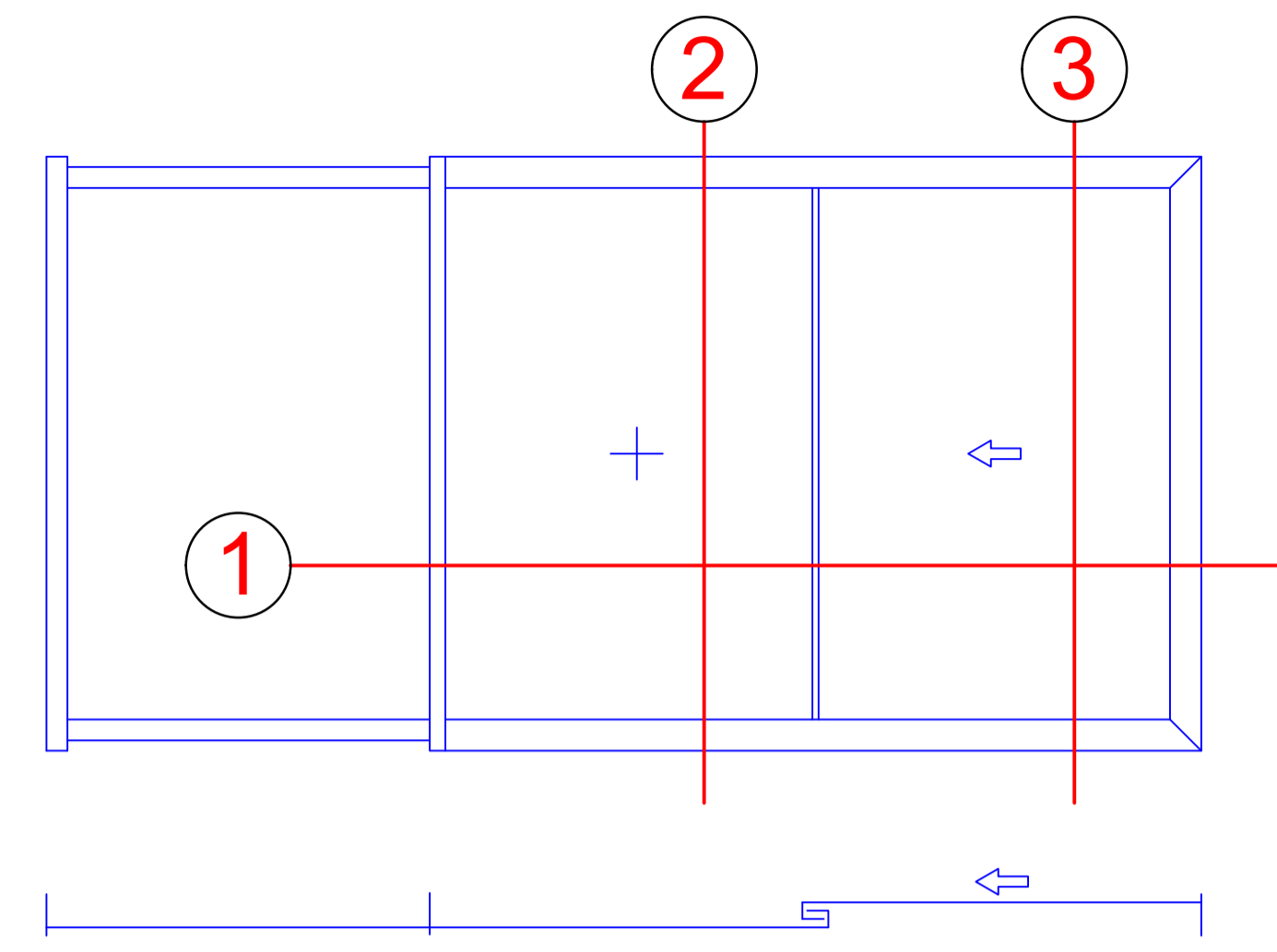
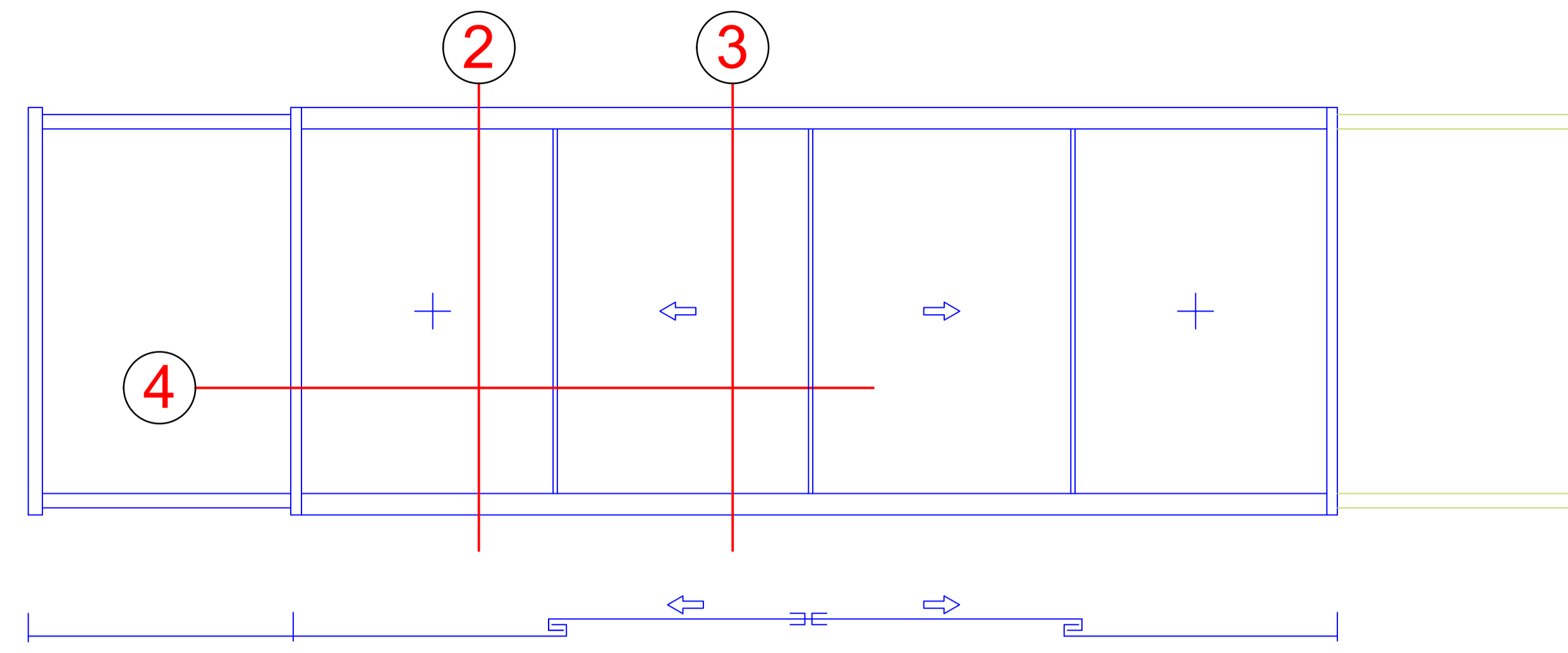


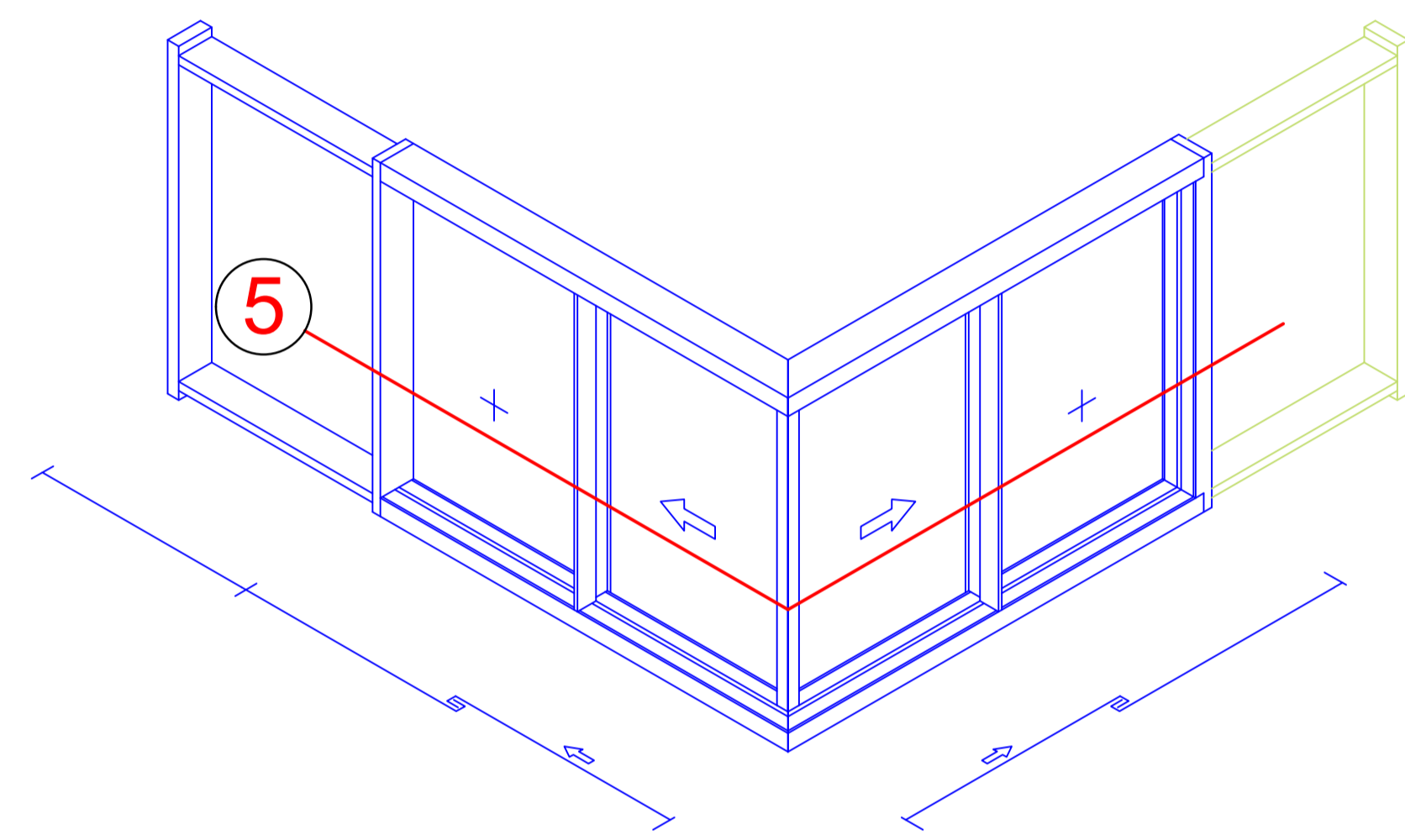
RIVA FWS 35 PD.HI mit RIVA Slide-A 77 PD.HI Typ 2A/1
 RIVA FWS 35 PD.HI with RIVA Slide-A 77 PD.HI type 2A/1



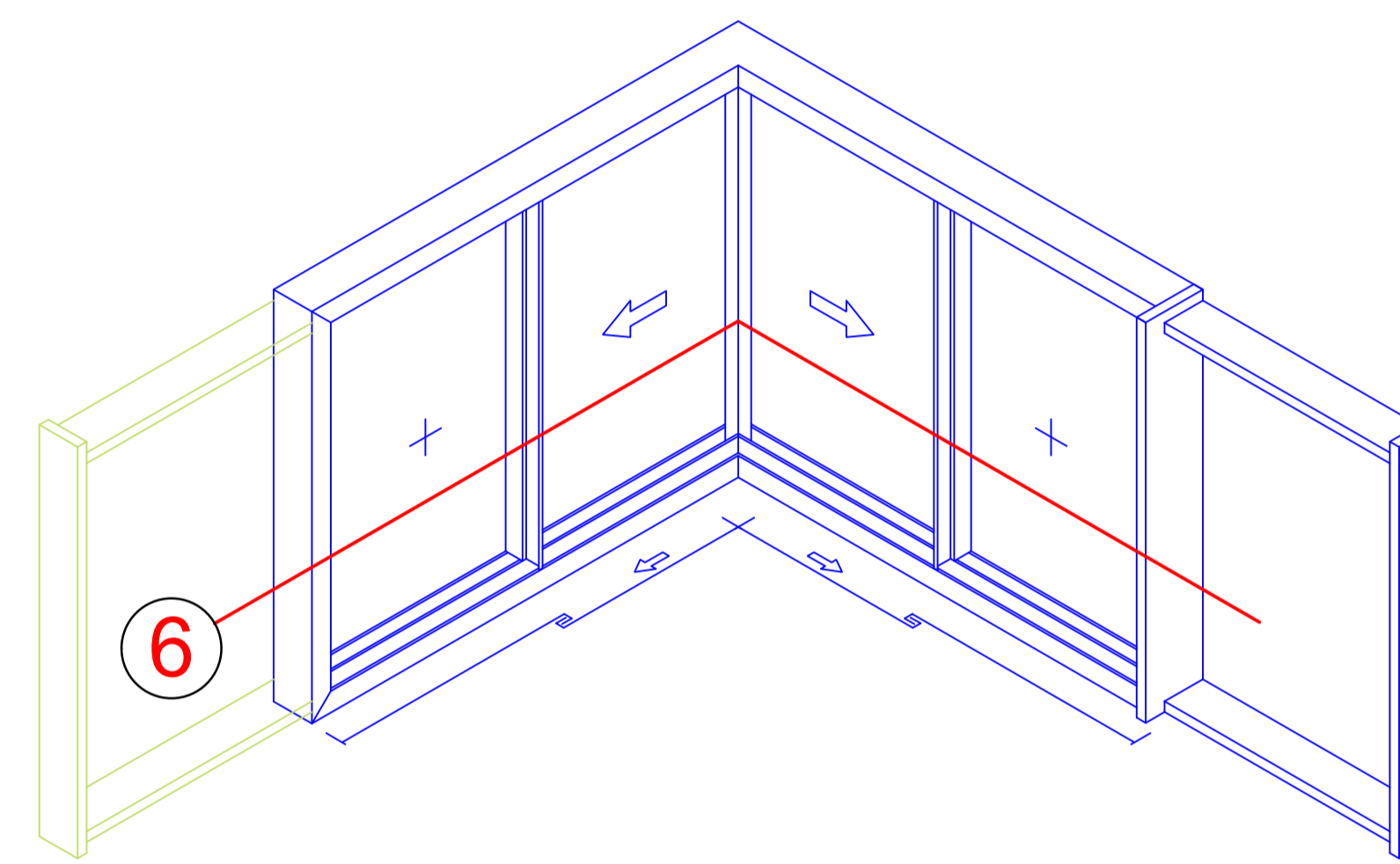
RIVA FWS 35 PD.HI mit RIVA Slide-A 77 PD.HI Typ 2D/1
 RIVA FWS 35 PD.HI with RIVA Slide-A 77 PD.HI type 2D/1



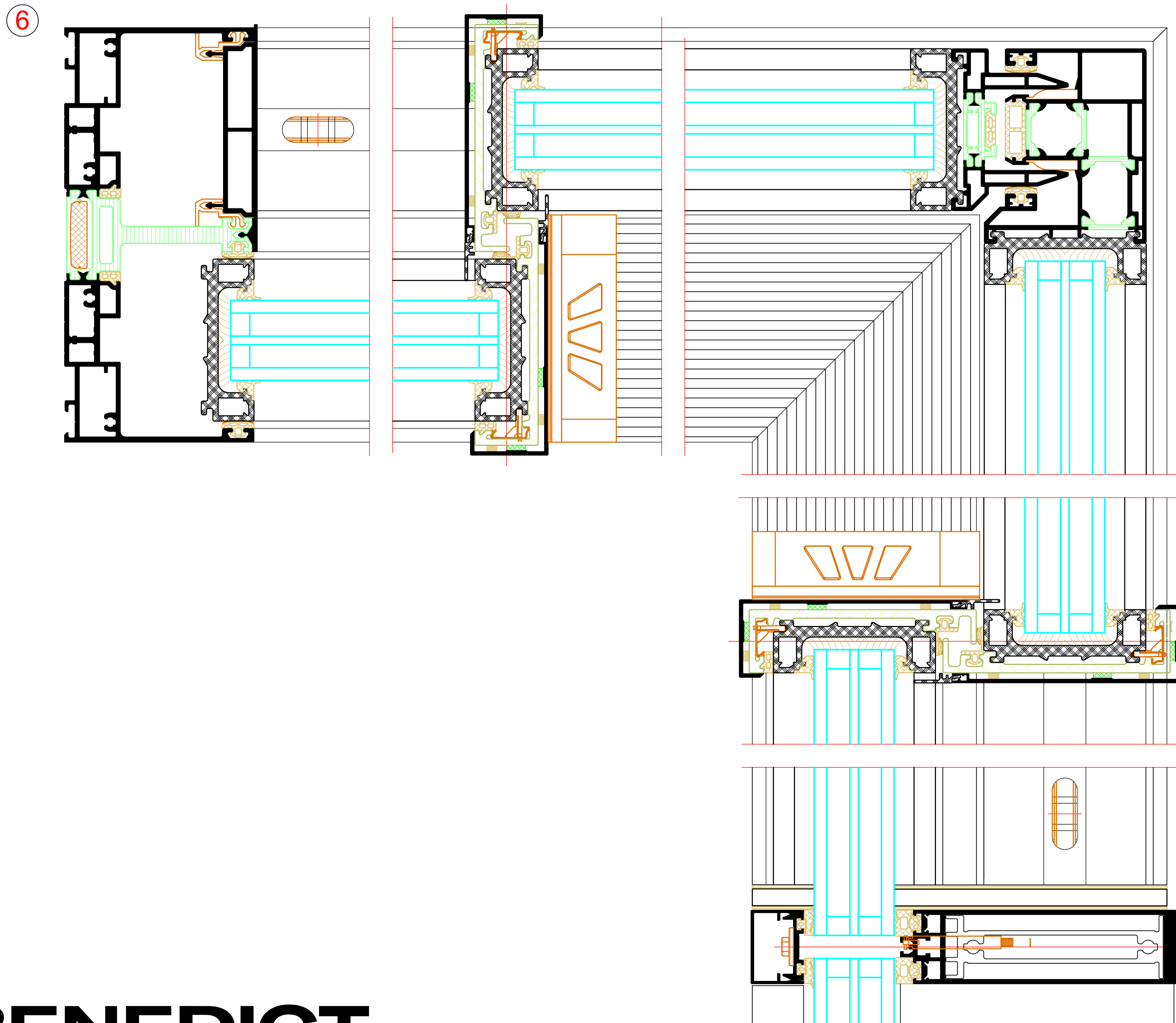
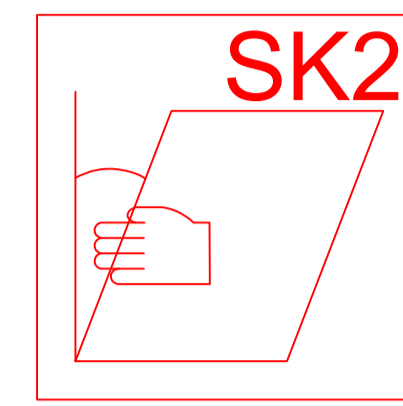
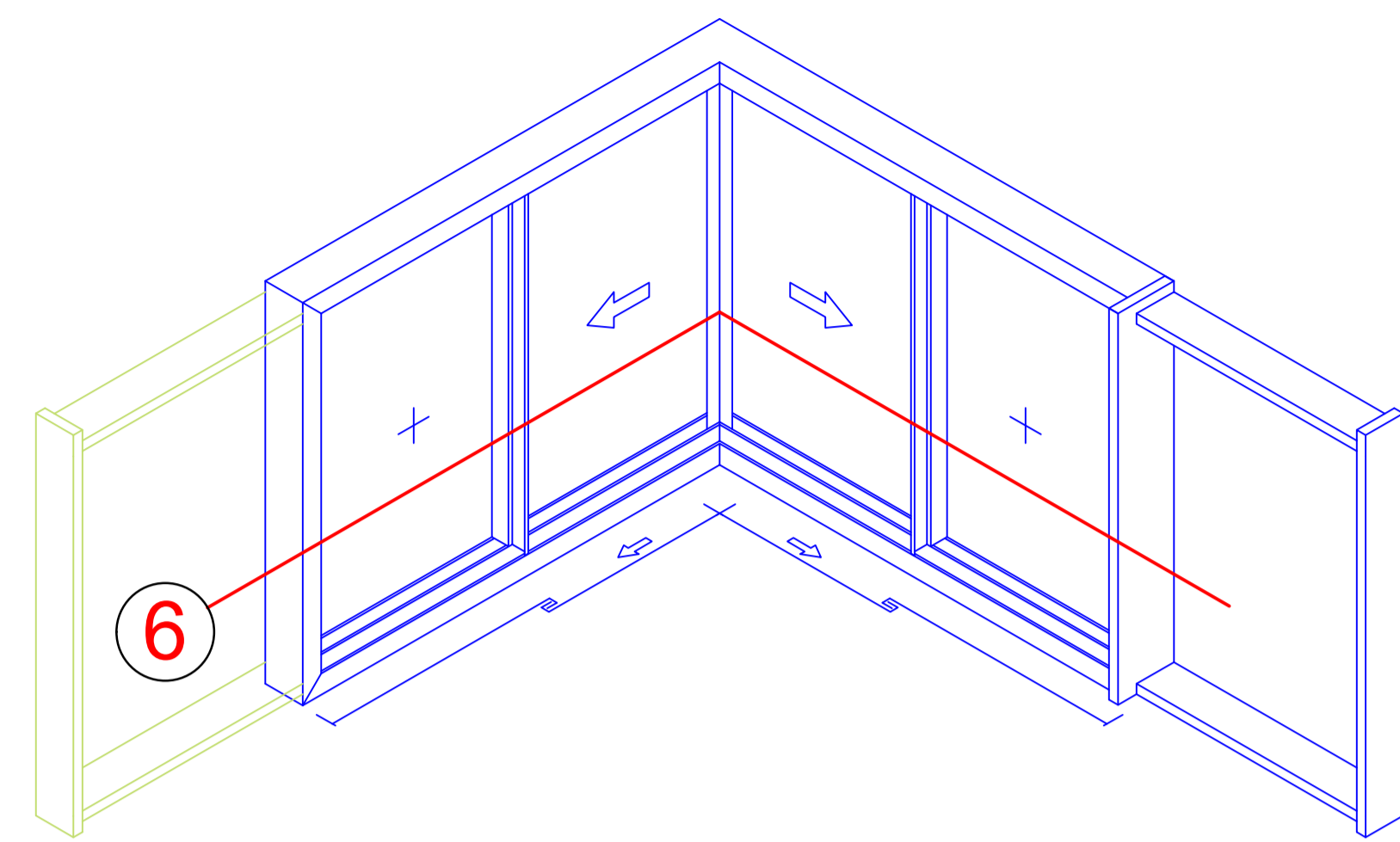
RIVA FWS 35 PD.HI mit RIVA Slide-A 77 PD.HI Typ 2D/1 - 90 A
 RIVA FWS 35 PD.HI with RIVA Slide-A 77 PD.HI type 2D/1 - 90 A



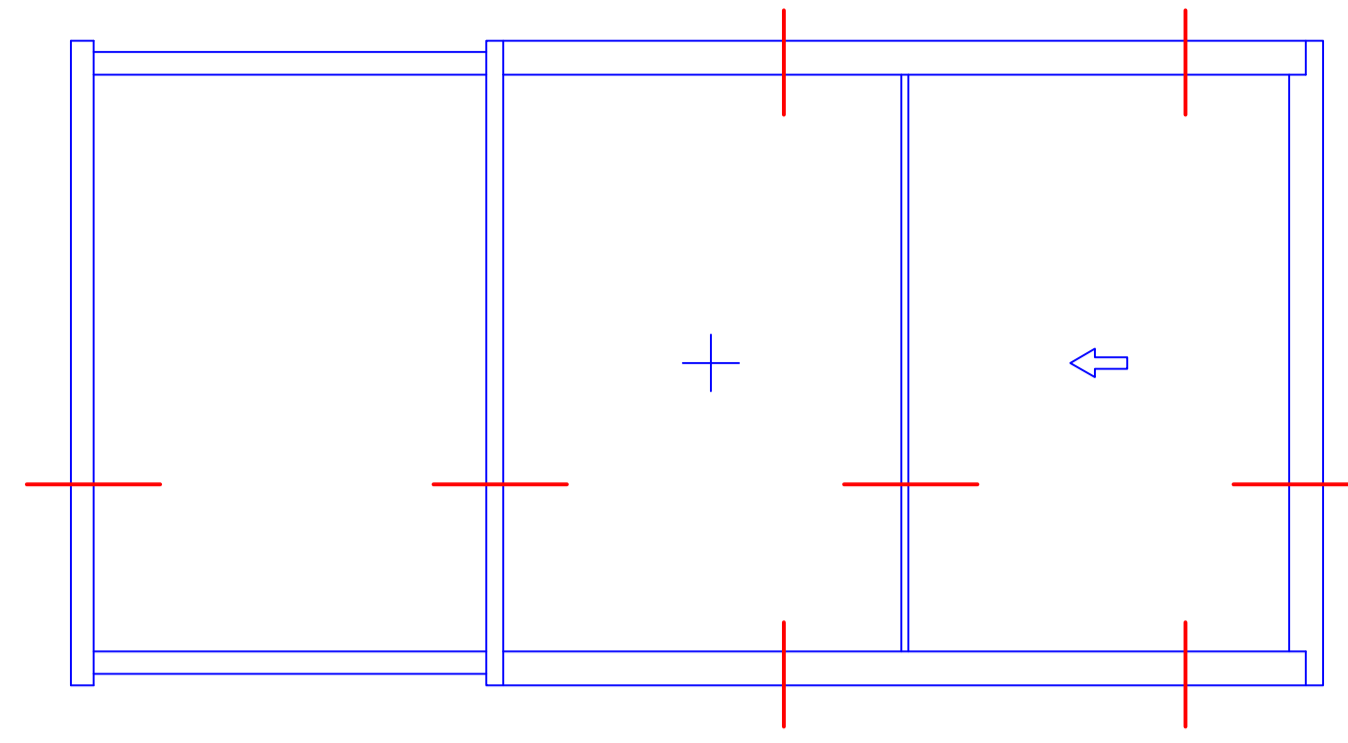
RIVA FWS 35 PD.HI mit RIVA Slide-A 77 PD.HI Typ 2D/1 - 90 I
 RIVA FWS 35 PD.HI with RIVA Slide-A 77 PD.HI type 2D/1 - 90 I



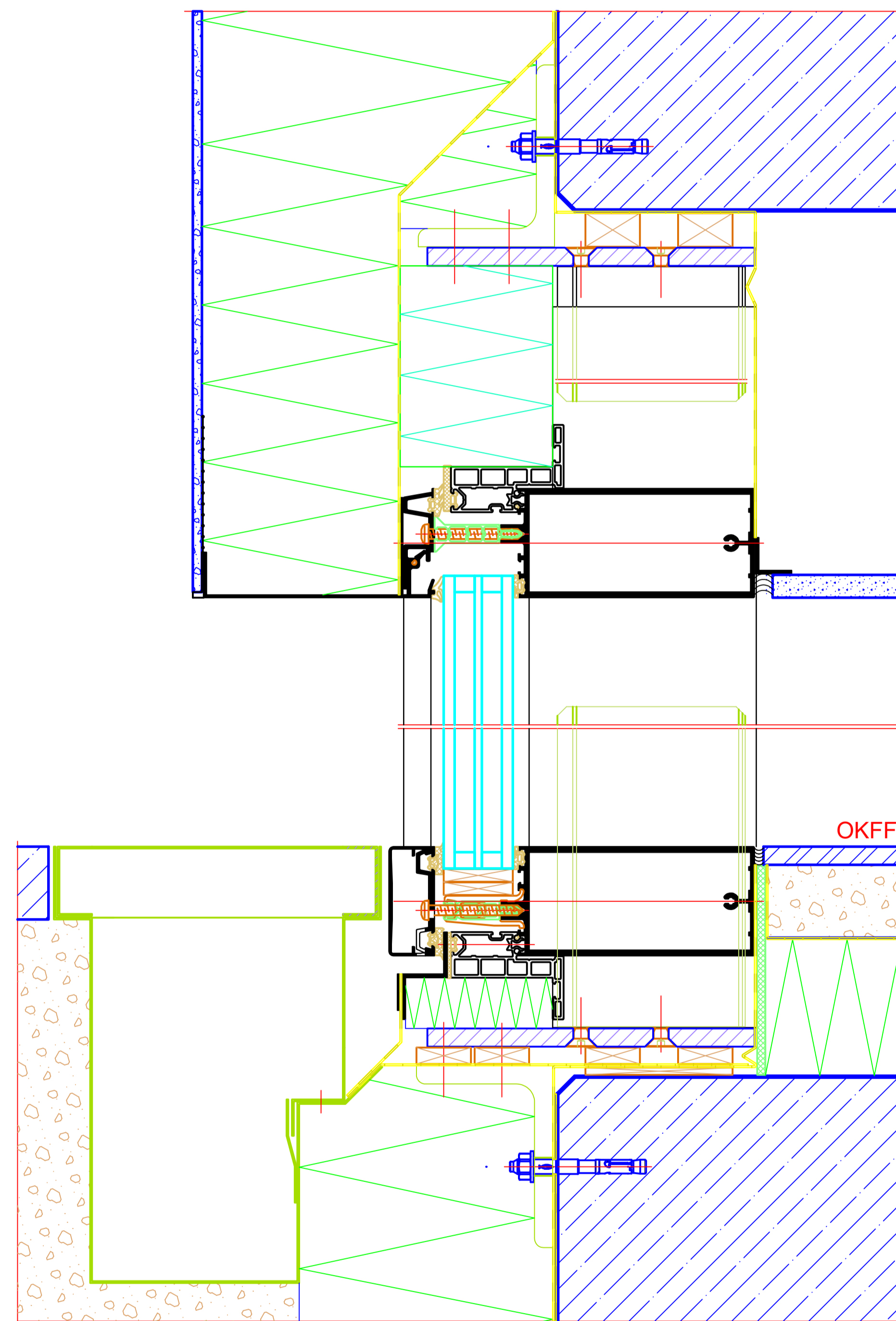
RIVA FWS 35 PD.HI mit RIVA Slide-A 77 PD.HI Typ 2D/1 - 90 I
 RIVA FWS 35 PD.HI with RIVA Slide-A 77 PD.HI type 2D/1 - 90 I



NO.	DATE	REVISION	REVISION	REVISION
1	2014	01		
2	2014	02		
3	2014	03		
4	2014	04		
5	2014	05		
6	2014	06		
7	2014	07		
8	2014	08		
9	2014	09		
10	2014	10		
11	2014	11		
12	2014	12		
13	2014	13		
14	2014	14		
15	2014	15		
16	2014	16		
17	2014	17		
18	2014	18		
19	2014	19		
20	2014	20		
21	2014	21		
22	2014	22		
23	2014	23		
24	2014	24		
25	2014	25		
26	2014	26		
27	2014	27		
28	2014	28		
29	2014	29		
30	2014	30		
31	2014	31		
32	2014	32		
33	2014	33		
34	2014	34		
35	2014	35		
36	2014	36		
37	2014	37		
38	2014	38		
39	2014	39		
40	2014	40		
41	2014	41		
42	2014	42		
43	2014	43		
44	2014	44		
45	2014	45		
46	2014	46		
47	2014	47		
48	2014	48		
49	2014	49		
50	2014	50		
51	2014	51		
52	2014	52		
53	2014	53		
54	2014	54		
55	2014	55		
56	2014	56		
57	2014	57		
58	2014	58		
59	2014	59		
60	2014	60		
61	2014	61		
62	2014	62		
63	2014	63		
64	2014	64		
65	2014	65		
66	2014	66		
67	2014	67		
68	2014	68		
69	2014	69		
70	2014	70		
71	2014	71		
72	2014	72		
73	2014	73		
74	2014	74		
75	2014	75		
76	2014	76		
77	2014	77		
78	2014	78		
79	2014	79		
80	2014	80		
81	2014	81		
82	2014	82		
83	2014	83		
84	2014	84		
85	2014	85		
86	2014	86		
87	2014	87		
88	2014	88		
89	2014	89		
90	2014	90		
91	2014	91		
92	2014	92		
93	2014	93		
94	2014	94		
95	2014	95		
96	2014	96		
97	2014	97		
98	2014	98		
99	2014	99		
100	2014	100		



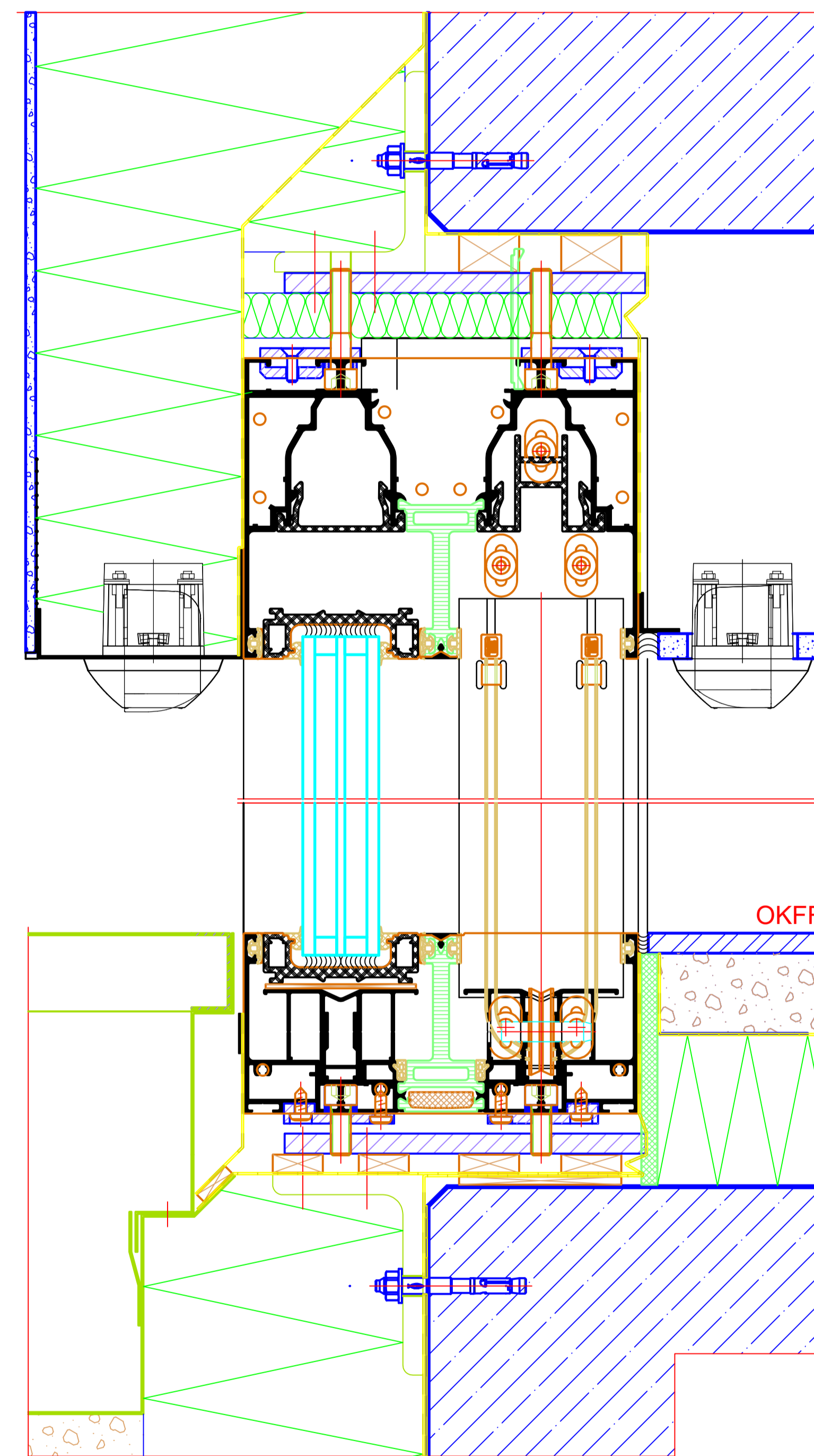
Deckenanschluss - Fassadensystem
Intermediate floor attachment - façade system



M 1:2

Unterer Anschluss Fassadensystem
Bottom attachment - façade system

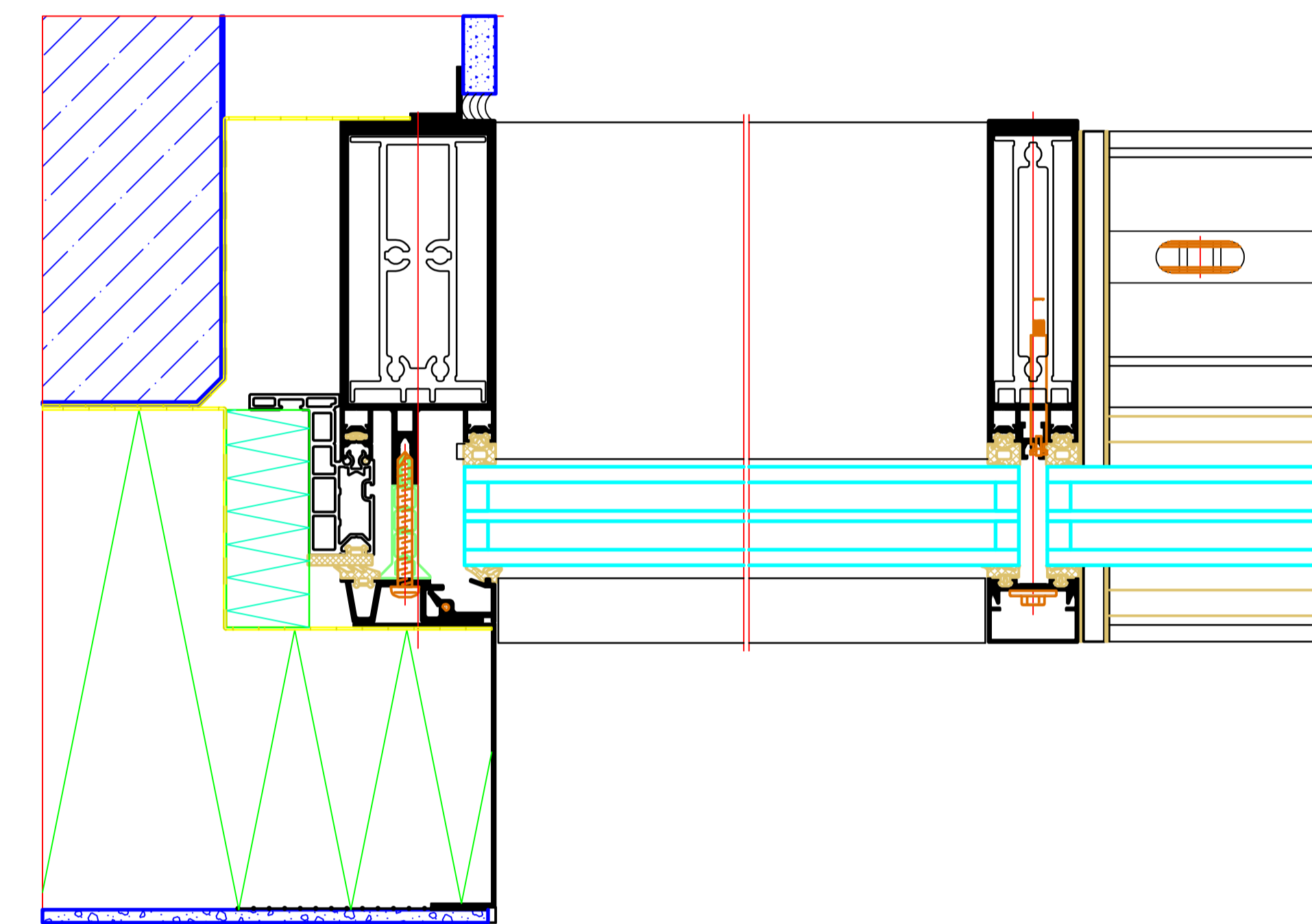
Deckenanschluss - Schiebesystem
Intermediate floor attachment - sliding system



M 1:2

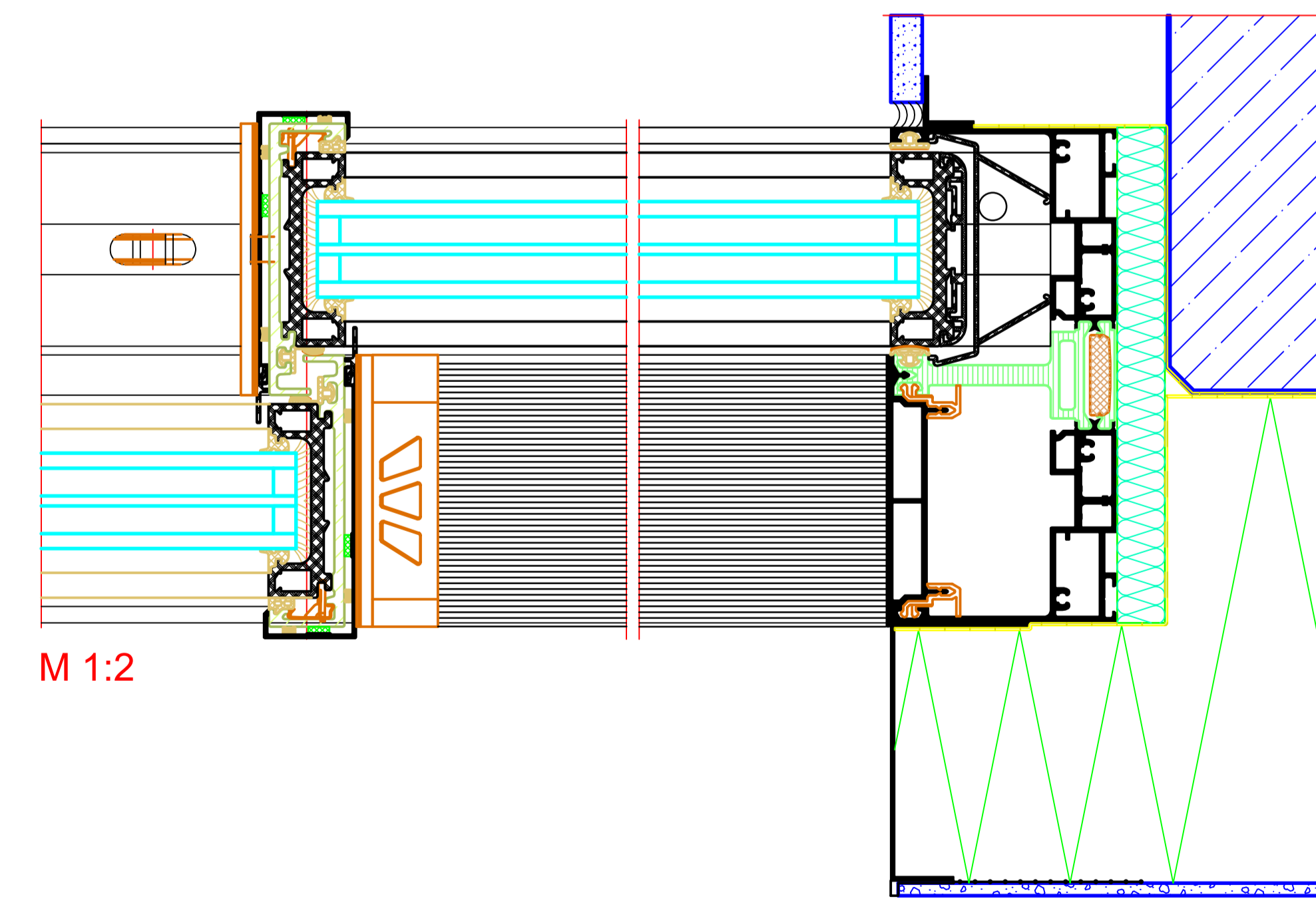
Unterer Anschluss Schiebesystem
Bottom attachment - sliding system

Seitlicher Wandanschluss Fassadensystem
Side wall attachment - façade system



M 1:2

Seitlicher Wandanschluss Schiebesystem
Side wall attachment - sliding system



M 1:2

NO. 1	NO. 2	NO. 3	NO. 4	NO. 5	NO. 6	NO. 7	NO. 8	NO. 9	NO. 10
NO. 11	NO. 12	NO. 13	NO. 14	NO. 15	NO. 16	NO. 17	NO. 18	NO. 19	NO. 20
NO. 21	NO. 22	NO. 23	NO. 24	NO. 25	NO. 26	NO. 27	NO. 28	NO. 29	NO. 30
NO. 31	NO. 32	NO. 33	NO. 34	NO. 35	NO. 36	NO. 37	NO. 38	NO. 39	NO. 40
NO. 41	NO. 42	NO. 43	NO. 44	NO. 45	NO. 46	NO. 47	NO. 48	NO. 49	NO. 50
NO. 51	NO. 52	NO. 53	NO. 54	NO. 55	NO. 56	NO. 57	NO. 58	NO. 59	NO. 60
NO. 61	NO. 62	NO. 63	NO. 64	NO. 65	NO. 66	NO. 67	NO. 68	NO. 69	NO. 70
NO. 71	NO. 72	NO. 73	NO. 74	NO. 75	NO. 76	NO. 77	NO. 78	NO. 79	NO. 80
NO. 81	NO. 82	NO. 83	NO. 84	NO. 85	NO. 86	NO. 87	NO. 88	NO. 89	NO. 90
NO. 91	NO. 92	NO. 93	NO. 94	NO. 95	NO. 96	NO. 97	NO. 98	NO. 99	NO. 100