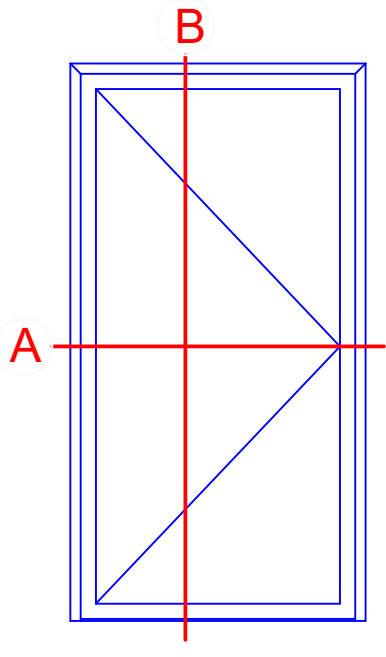
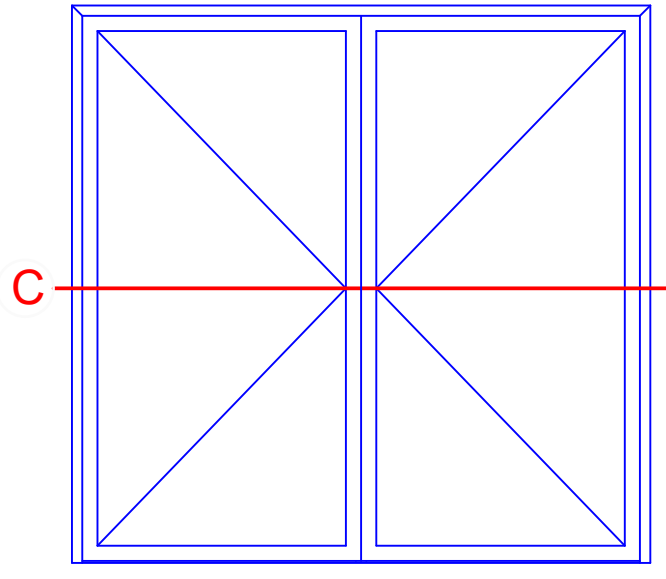


Einflügelige Tür  
Single-leaf door

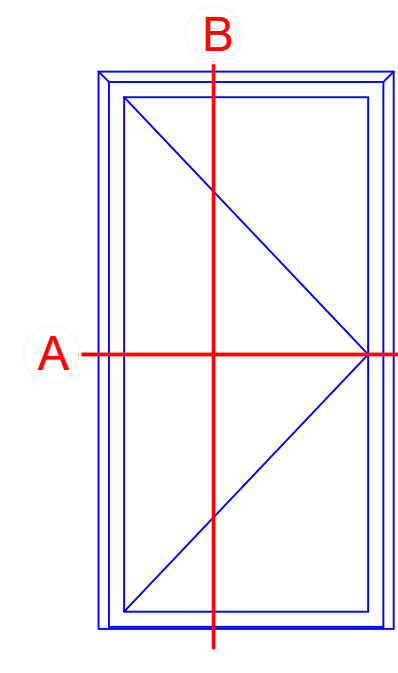


Zweiflügelige Tür  
Double-leaf door

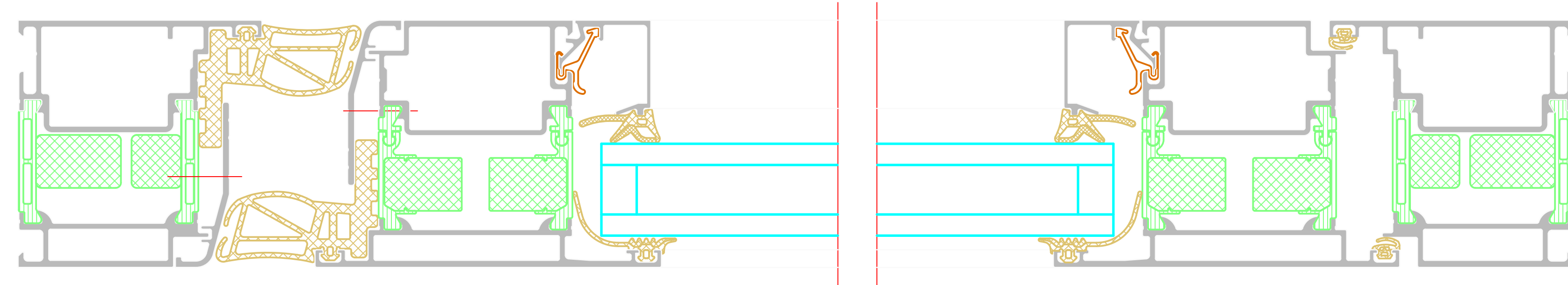


| INDEX   | DATE              | REVISIONS<br>CHANGE | DESIGNED<br>BY | CHECKED<br>BY  |
|---|-------------------|---------------------|----------------|----------------|
| PLANNING<br>PLAN CONTENT  |                   |                     |                | DATE<br>DATE   |
| PROJECT<br>PROJECT  |                   |                     |                |                |
| Riva Elementbeispiele<br>Riva Unit examples   |                   |                     |                |                |
| Tür RIVA ADS 70.HI Außen öffnend,<br>mit Klemmschutz<br>Door RIVA ADS 70.HI outward opening,<br>with finger-trap protection |                   |                     |                |                |
| ARCHITECT<br>CLIENT   |                   |                     |                |                |
| PLANNING<br>PLANNER   |                   |                     |                |                |
| <b>BENEDICT + RIVA</b><br>BENEDICT + RIVA GmbH<br>Röschelstrasse 13<br>04229 Leipzig, Germany                               |                   |                     |                |                |
| ANSCHREIBER<br>CONTACT PERSON   | INTERNAL PROJECTS |                     |                |                |
| PLANNING TYPE   | STATUS            | PLANNING<br>FORMAT  | SCALE          | DESIGNED<br>BY |
| PLANNING<br>DOCUMENT NUMBER   |                   | DATE                | SCALE          | CHECKED<br>BY  |

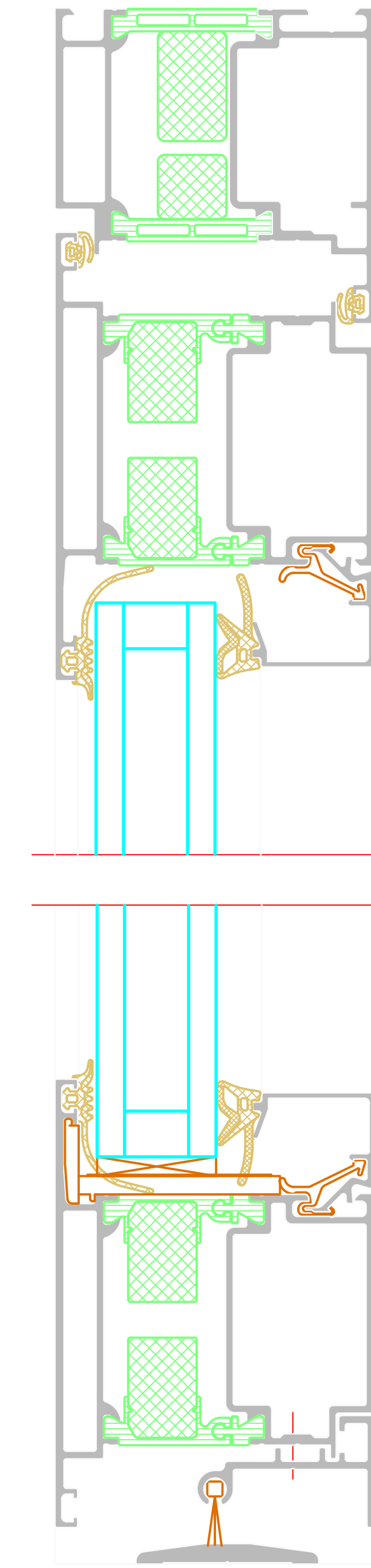
Einflügelige Tür  
Single-leaf door



A



B



|  |            |  |          |            |
|--|------------|--|----------|------------|
| NO   | DATE       | REVISION   | REVISION | DATE       |
| 001  | 01.11.2018 | 01   | 01       | 01.11.2018 |
| <p>Project: Riva Elementtür<br/>Riva Unit section details</p> <p>Product: Tür RIVA ADS 70.H Außen öffend.<br/>mit Klemmschulze<br/>Door RIVA ADS 70.H outward opening,<br/>with finger-trap protection</p> |            |  |          |            |
| <p>Author: [Name]</p> <p>Designer: [Name]</p> <p>Checker: [Name]</p> <p>Approver: [Name]</p>   |            |  |          |            |
| <p>BENEDICT + RIVA</p>   |            | <p>BENEDICT + RIVA GmbH<br/>Helmholtzstr. 10<br/>69126 Ludwigshafen, Germany</p> |          |            |

