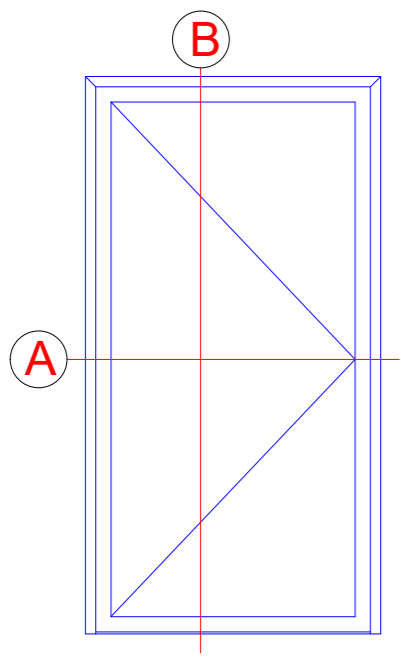
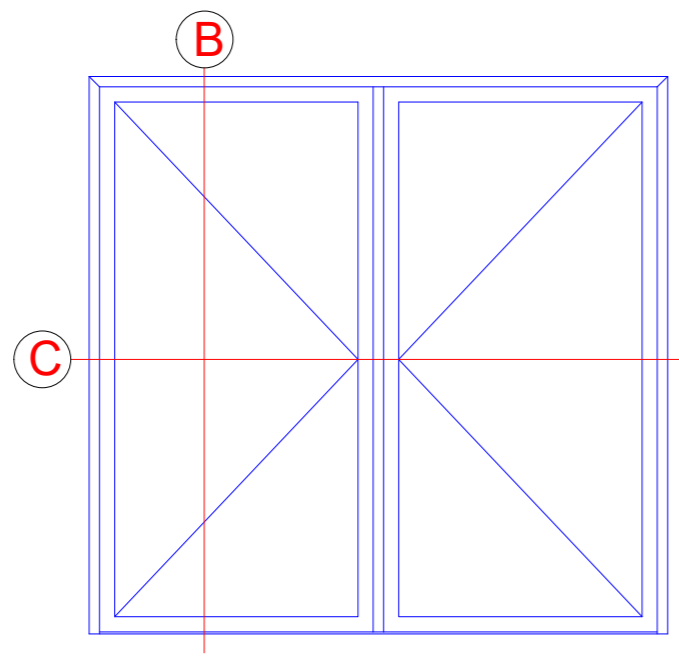


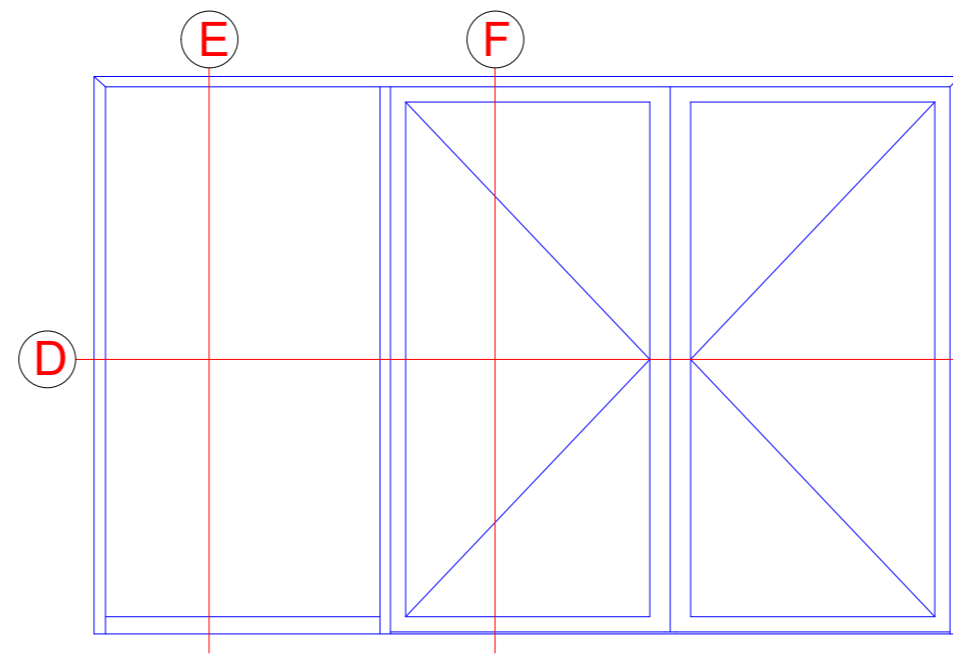
Einflügelige Tür  
Single-leaf door



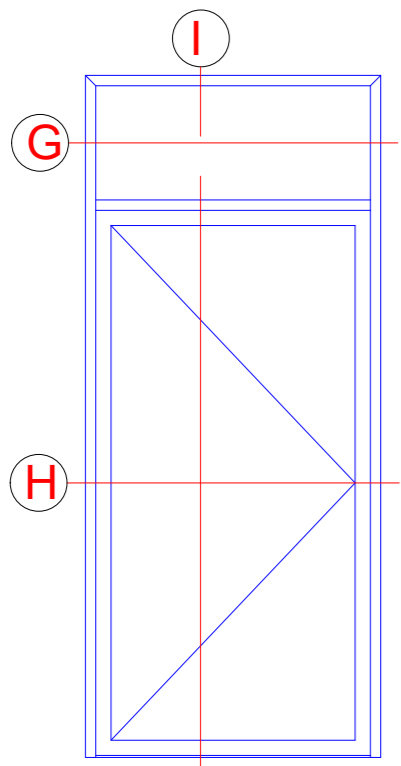
Zweiflügelige Tür  
Double-leaf door



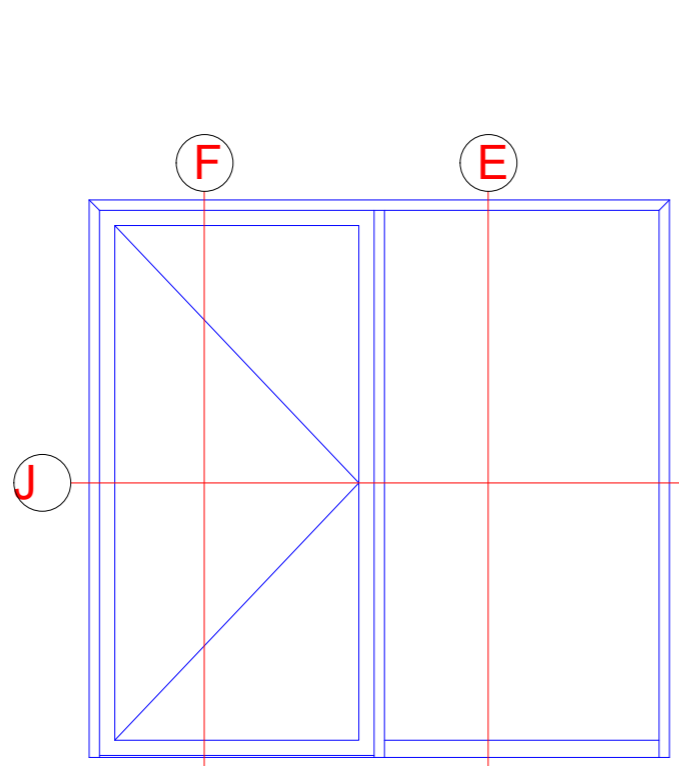
Zweiflügelige Tür mit Festfeld  
Double-leaf door with fixed light



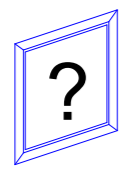
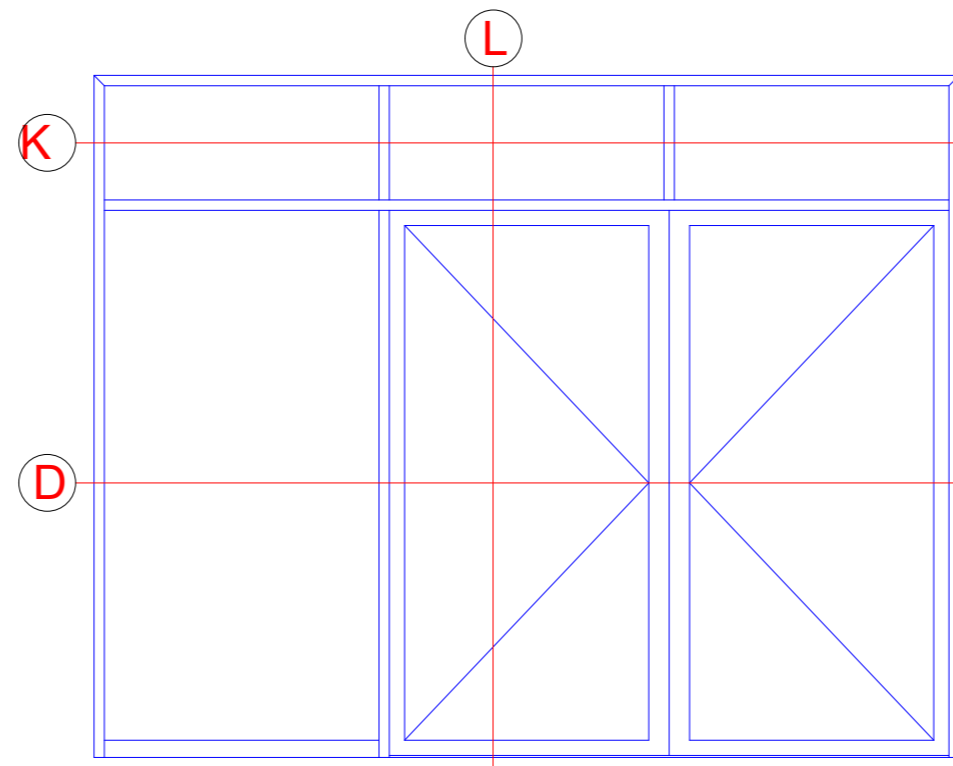
Einflügelige Tür mit Oberlicht  
Single-leaf door with toplight



Einflügelige Tür mit Festfeld  
Single-leaf door with fixed light



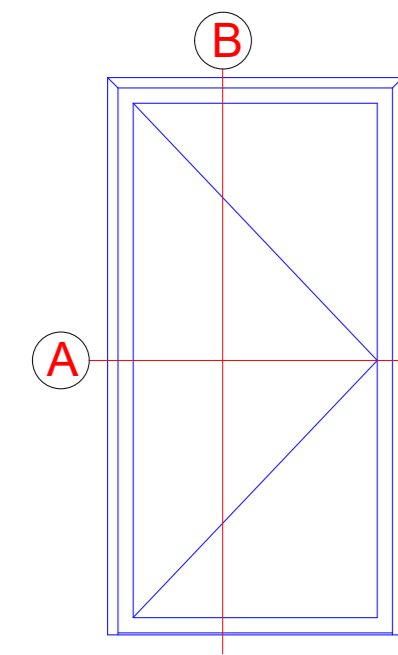
Zweiflügelige Tür mit Festfeld und Oberlicht  
Double-leaf door with fixed light and toplight



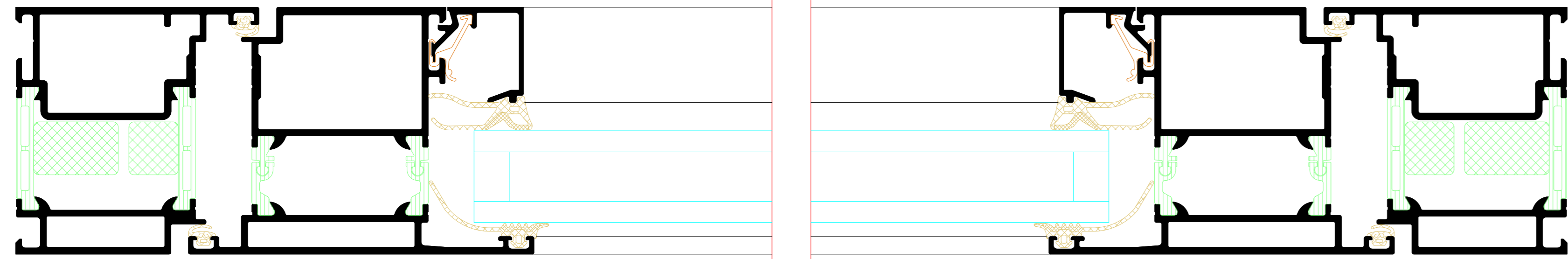
Einsatzelemente sind in Fassadensysteme zu finden  
Insert units can be found in façade systems

INDEX	DATUM	ÄNDERUNG	GEZEICHNET	GEPRÜFT
INDEX	DATE	CHANGE	DRAWN	CHECKED BY
PLANNRZ				
PLAN COMMENT				
Riva Elementbeispiele				
Riva Unit examples				
PROJECT				PROJECT NO.
Tür RIVA ADS 70 HD Außen öffnend, flächenbündig				
Door RIVA ADS 70 HD outward opening, flush-fitted				
ARCHITECT				
CLIENT				
PLANNING				
PLANNER				
ANSPRECHPARTNER		BENEDICT + RIVA GmbH		
CONTACT PERSON		Röschelstrasse 13		
		04329 Leipzig, Germany		
PLANNING TYPE	STATUS	PLANNING FORMAT	SCALE	DESIGNED BY
		DWG		DLA
PLANNING TYPE	STATUS	PLANNING FORMAT	SCALE	DESIGNED BY
		DWG		DLA
PLANNING TYPE	STATUS	PLANNING FORMAT	SCALE	DESIGNED BY
		DWG		DLA
PLANNING TYPE	STATUS	PLANNING FORMAT	SCALE	DESIGNED BY
		DWG		DLA

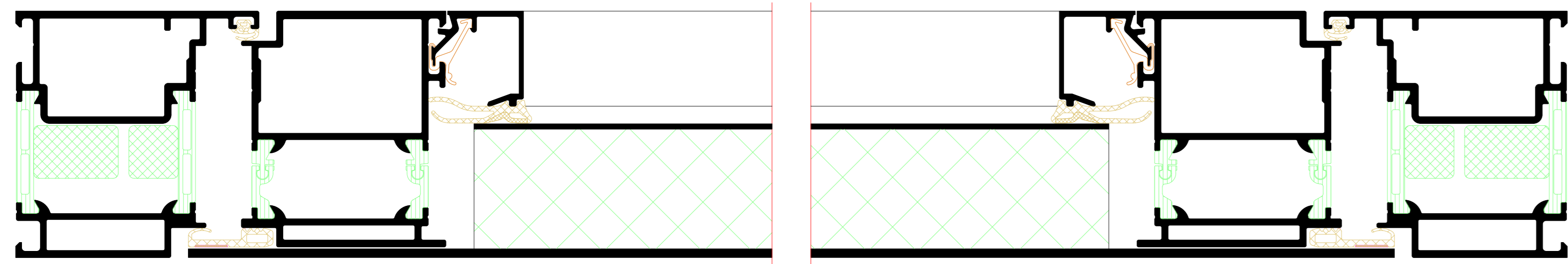
Einflügelige Tür  
Single-leaf door



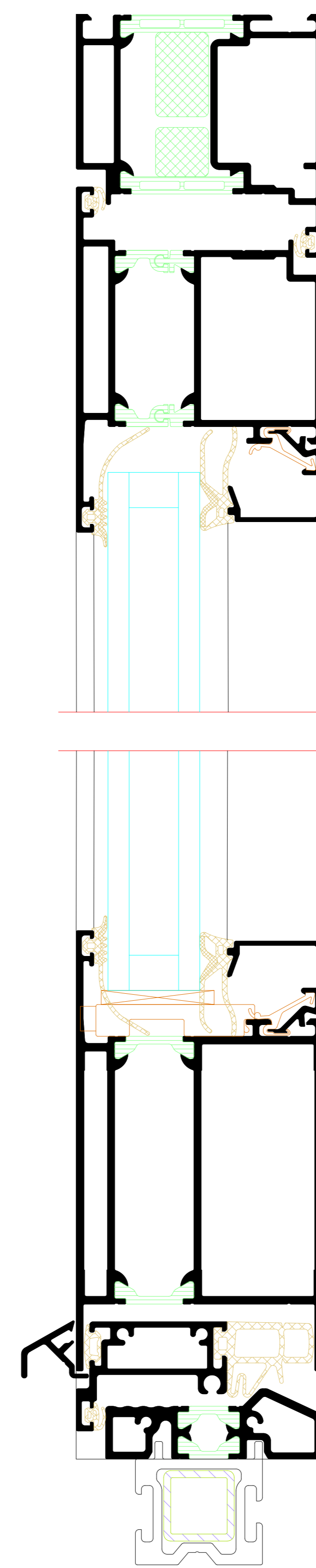
A



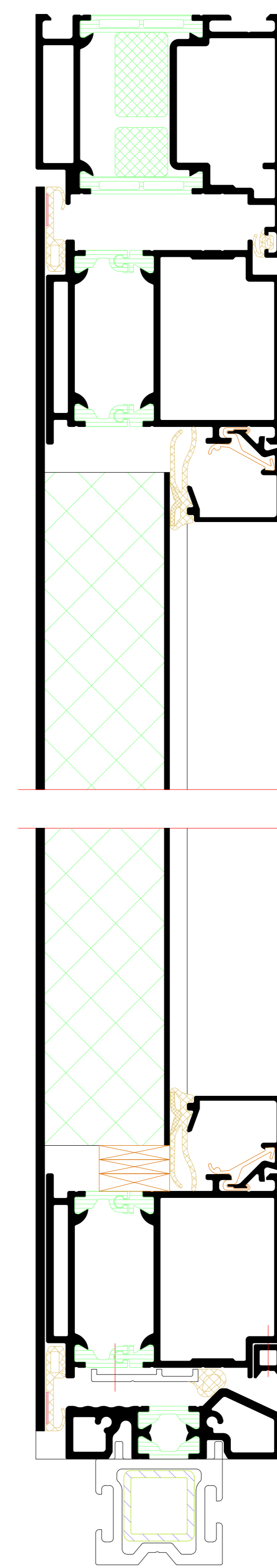
A Flügelüberdeckend einseitig  
Leaf-enclosing on one side



B



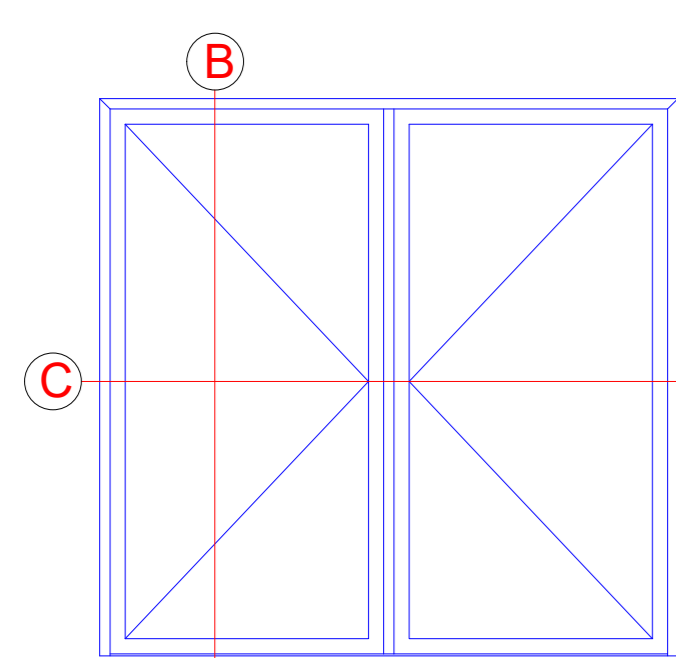
B



Flügelüberdeckend einseitig  
Leaf-enclosing on one side

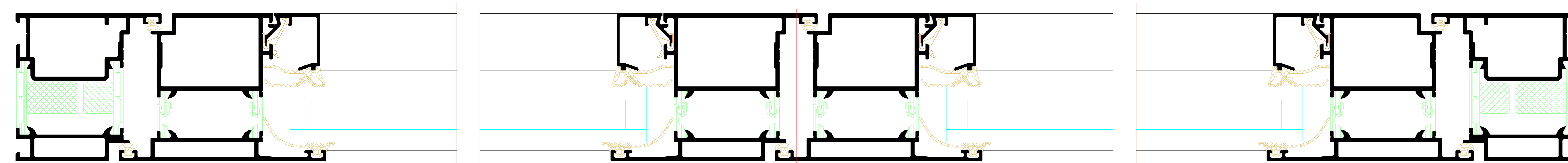
NO.	DATE	ISSUED	REVISION	BY	CHKD.
001	01.10.2018	01			
<p>Riva Elementschelle Riva Unit section details</p> <p>Tür RIVA ADS F10 HD Außen-Offenend, fächerbündig Door RIVA ADS F10 HD outdoor opening, flush-fitted</p>					
<p><b>BENEDICT + RIVA</b> <small>BENEDICT - RIVA GmbH Helmholtzstrasse 19 06899 Leipzig, Germany</small></p>					

Zweiflügelige Tür  
Double-leaf door

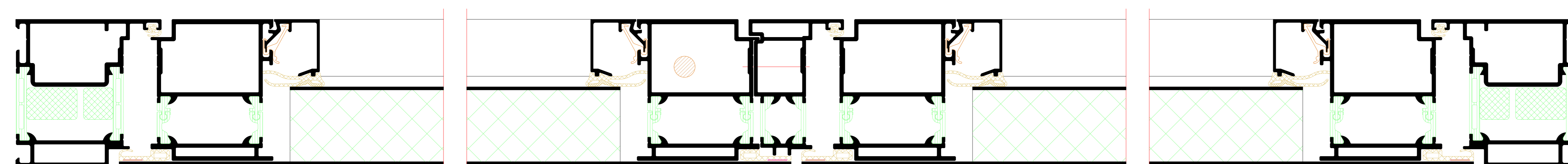


Flügelüberdeckend einseitig  
Leaf-enclosing on one side

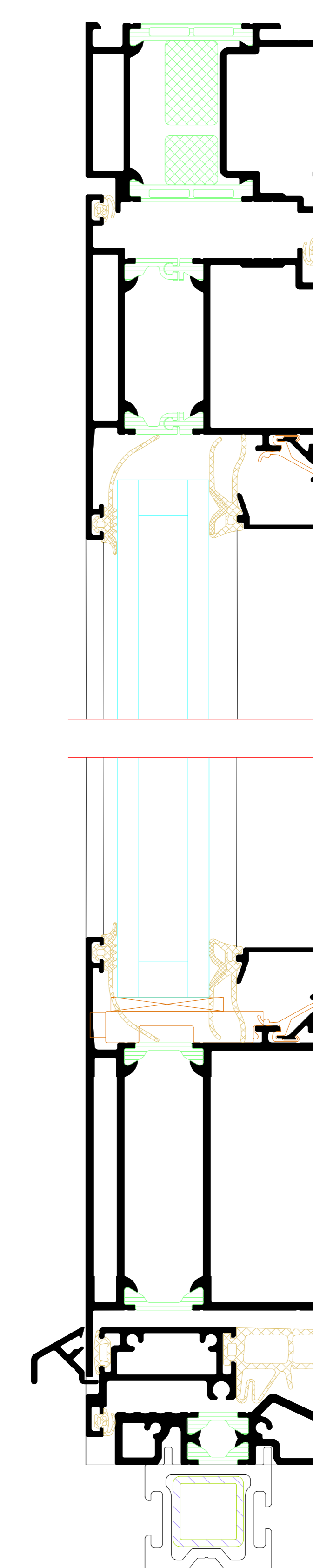
C



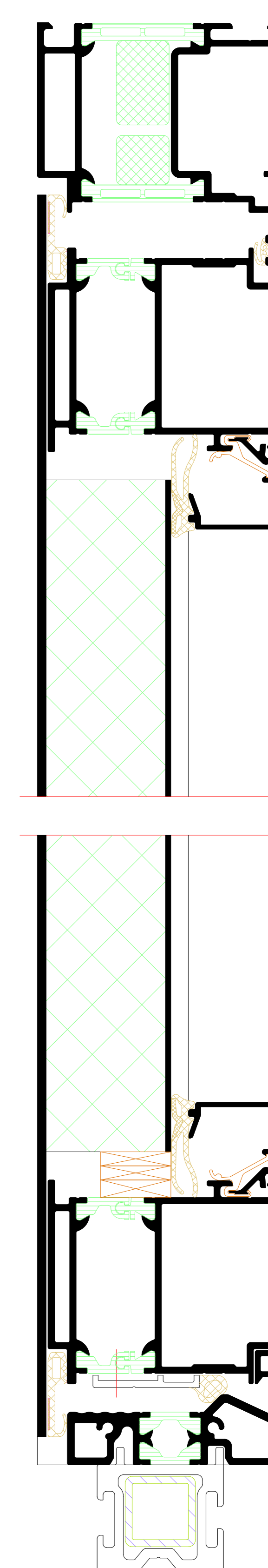
C Flügelüberdeckend einseitig  
Leaf-enclosing on one side



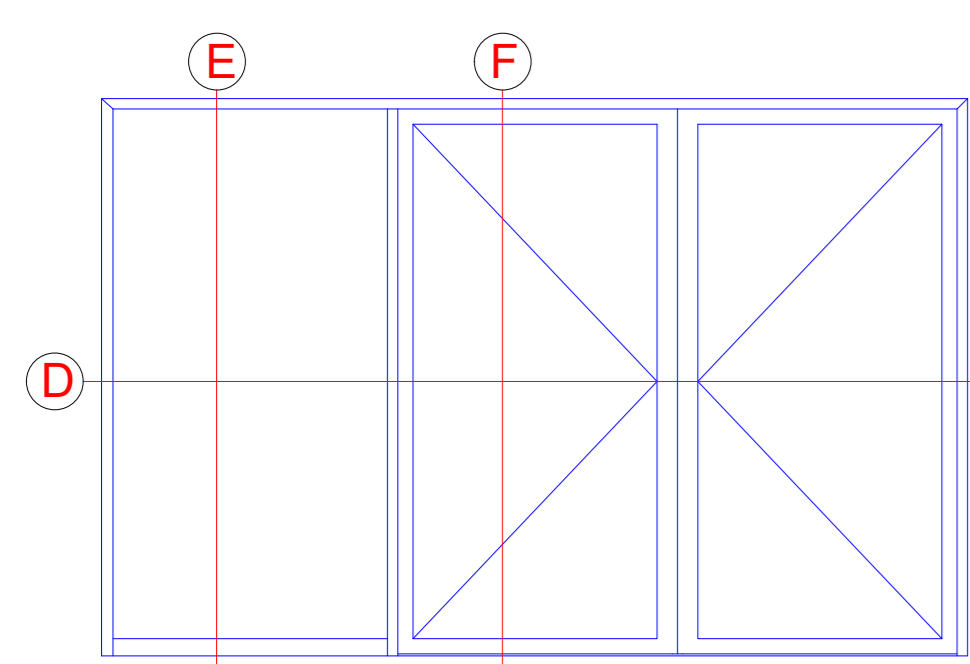
B



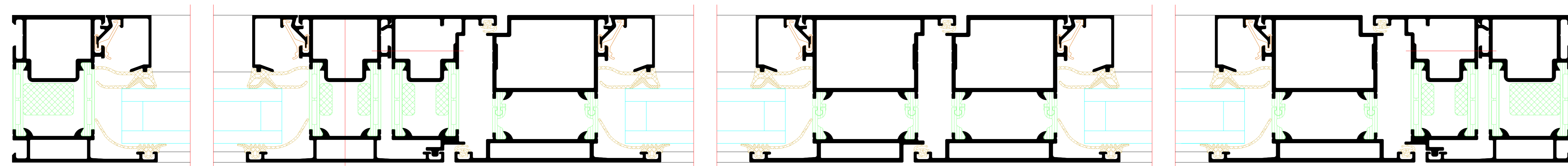
B



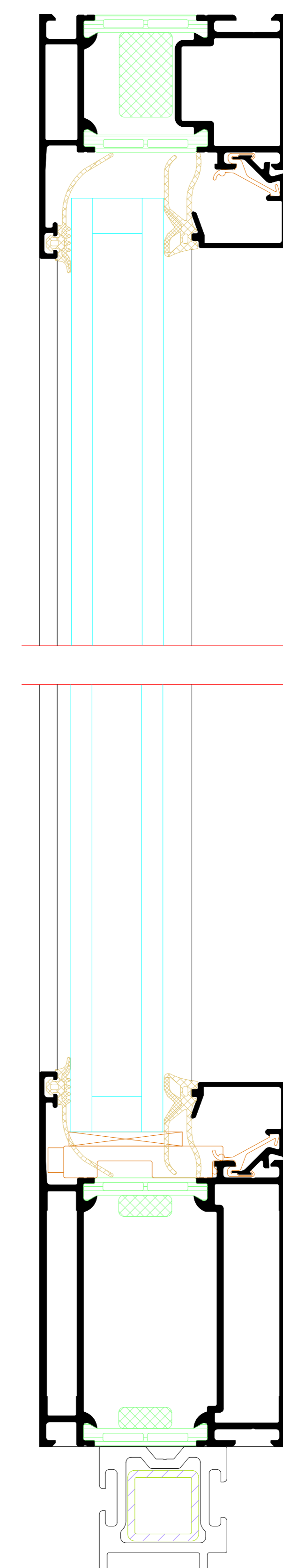
Zweiflügelige Tür mit Festfeld  
 Double-leaf door with fixed light



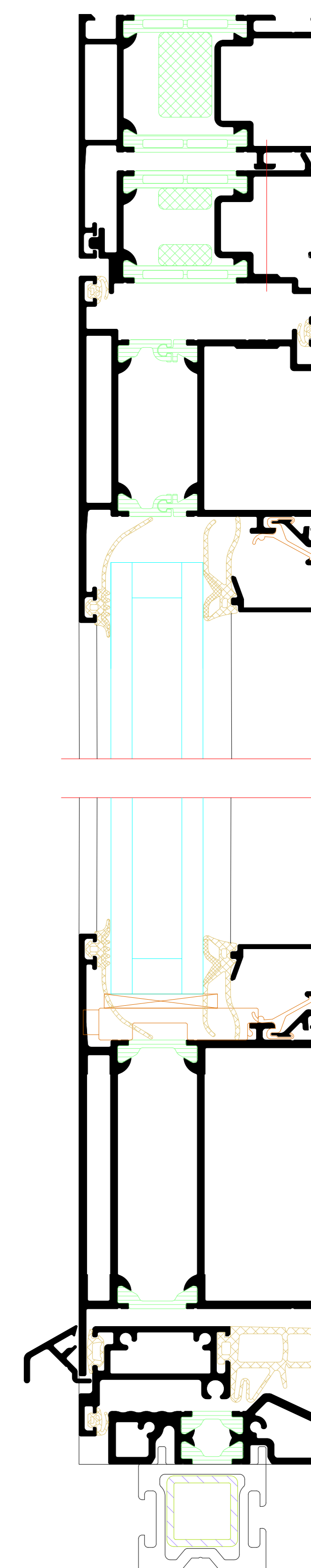
D



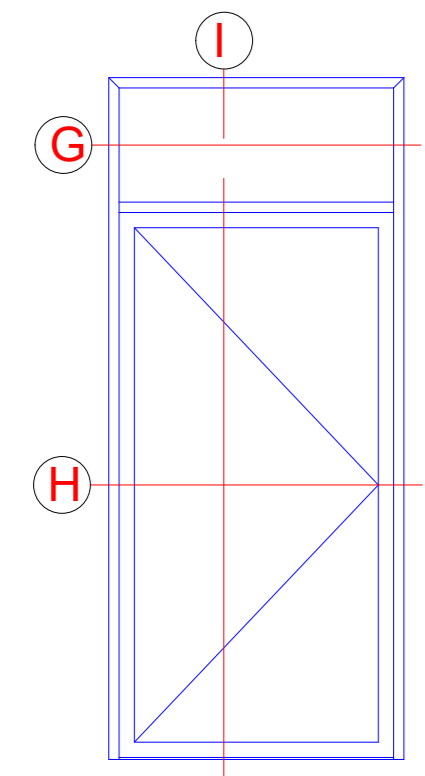
E



F



Einfügelige Tür mit Oberlicht  
Single-leaf door with toplight



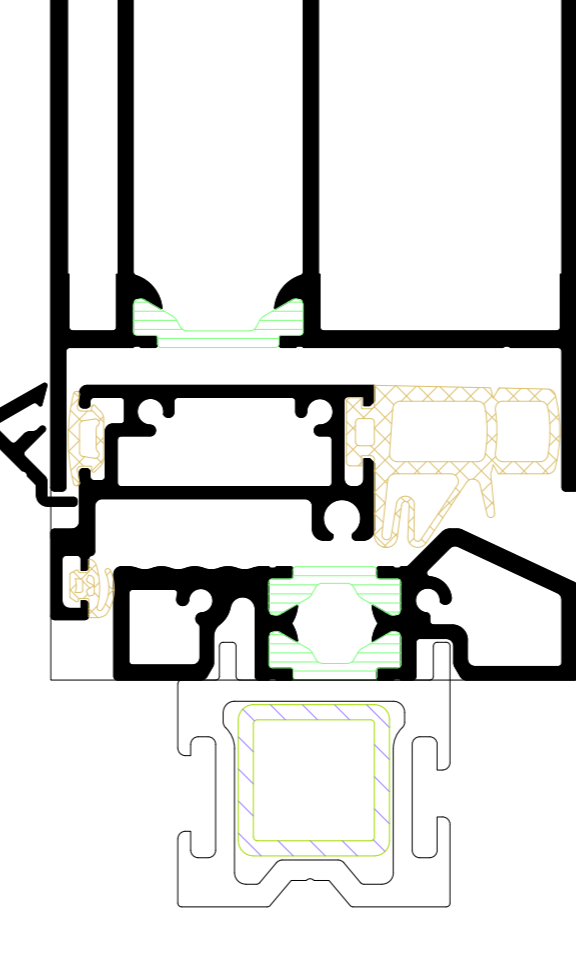
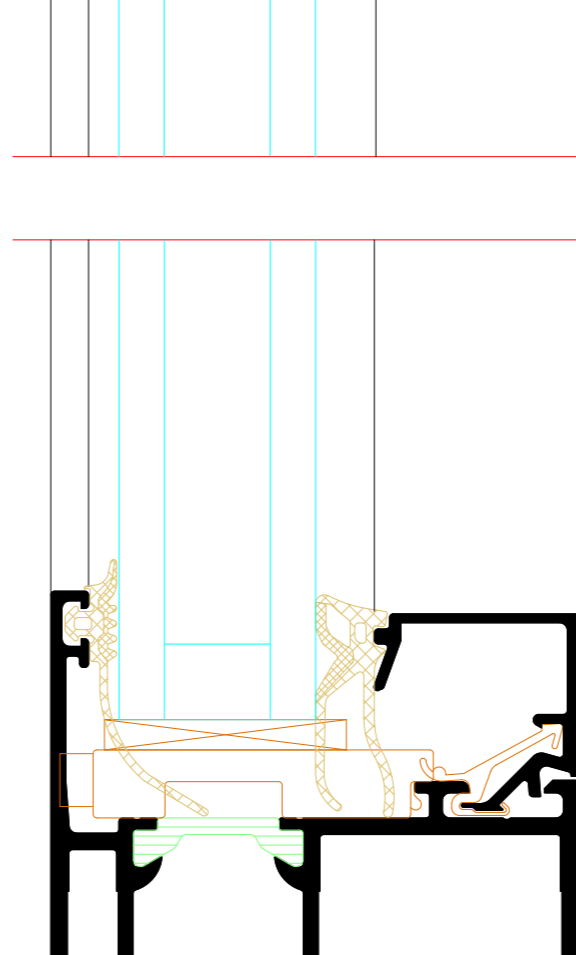
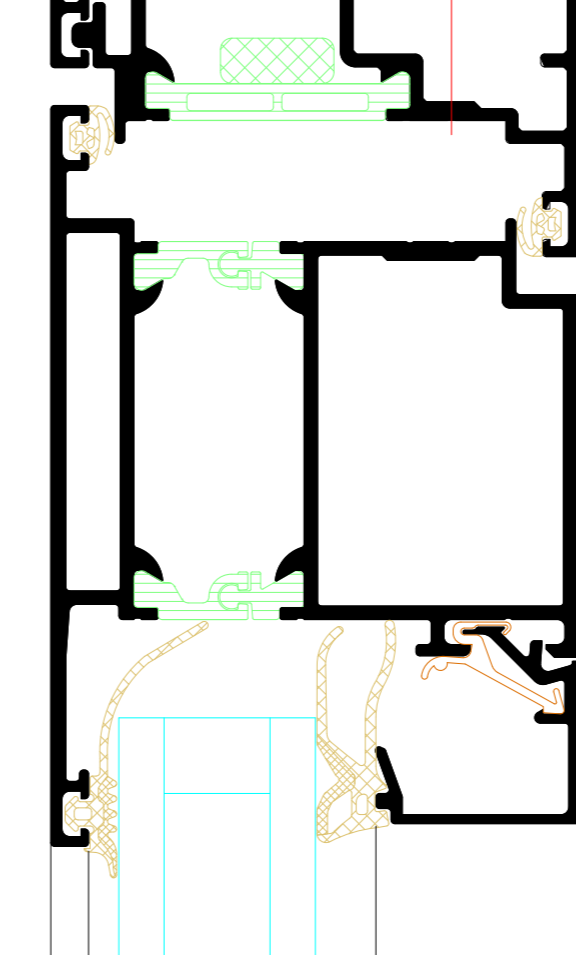
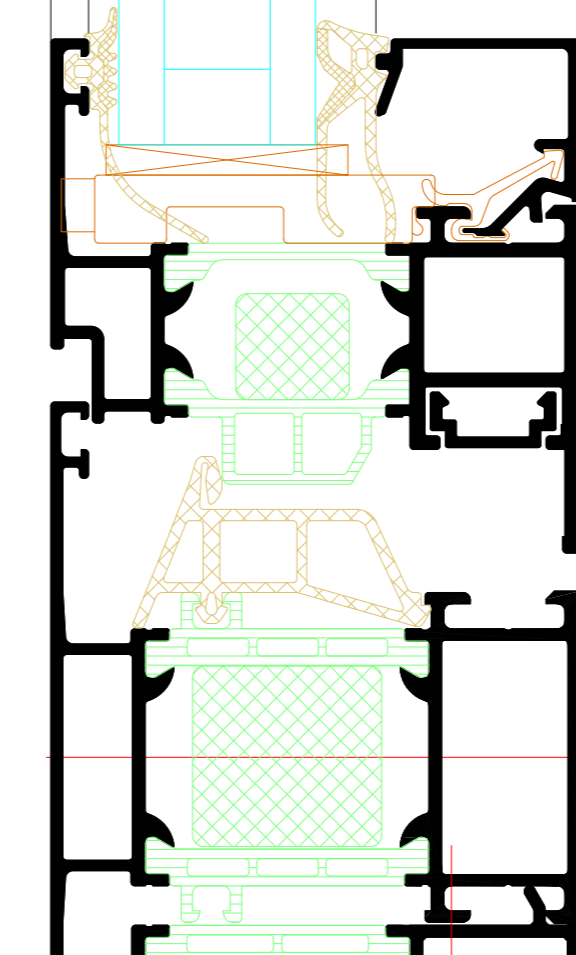
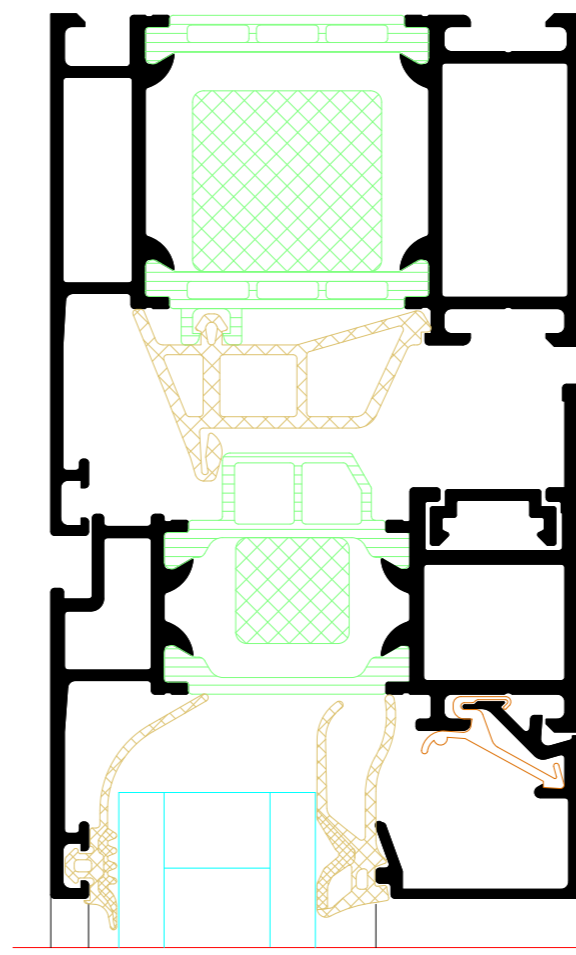
G



G

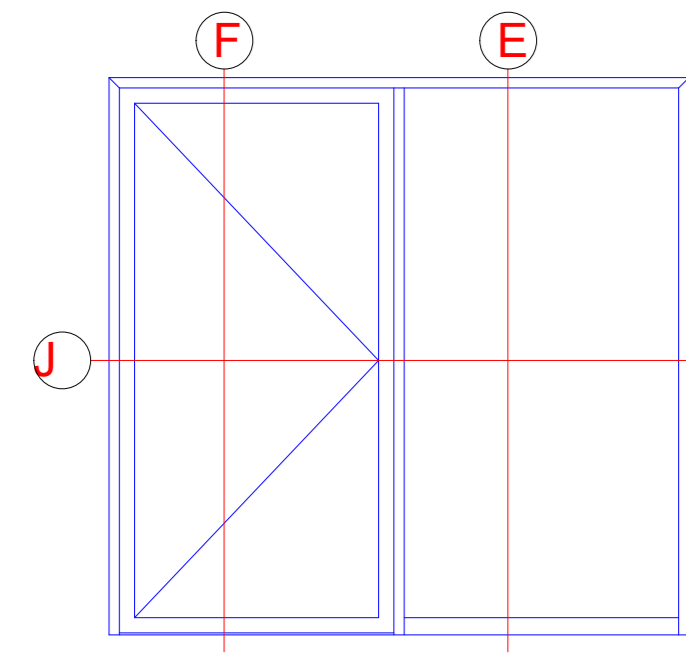


I

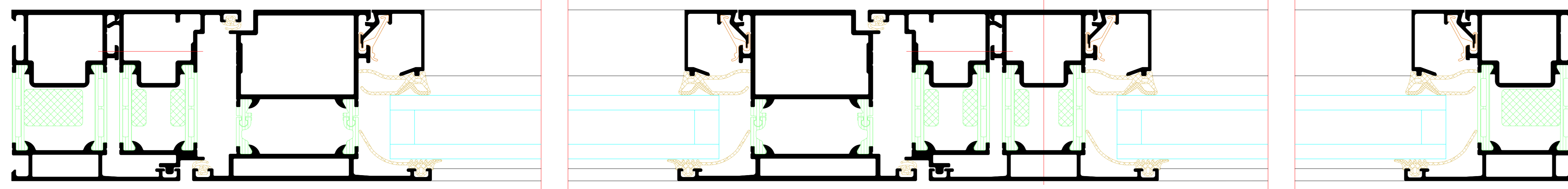


NO.	DATE	ISSUED	REVISION	BY
01	01.01.2023	01		
<p>Riva Elementschelle Riva Unit section details</p>				
<p>Tür RIVA ADS F10 HD Außen-Offenend, fächerbündig Door RIVA ADS F10 HD outward opening, flush-fitted</p>				
<p><b>BENEDICT + RIVA</b> <b>BENEDICT + RIVA GmbH</b> Helmweg 11, 38299 Lüneburg, Germany</p>				

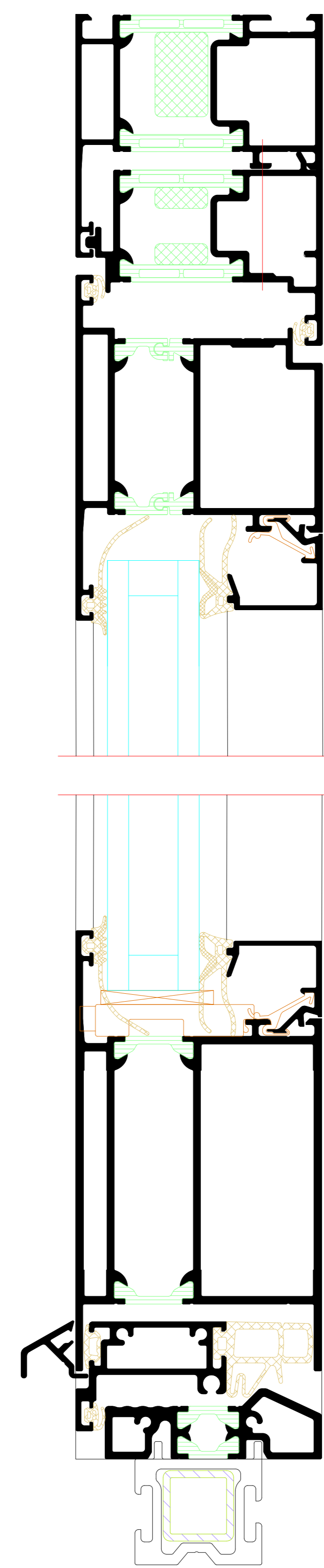
Einfügelige Tür mit Festfeld  
Single-leaf door with fixed light



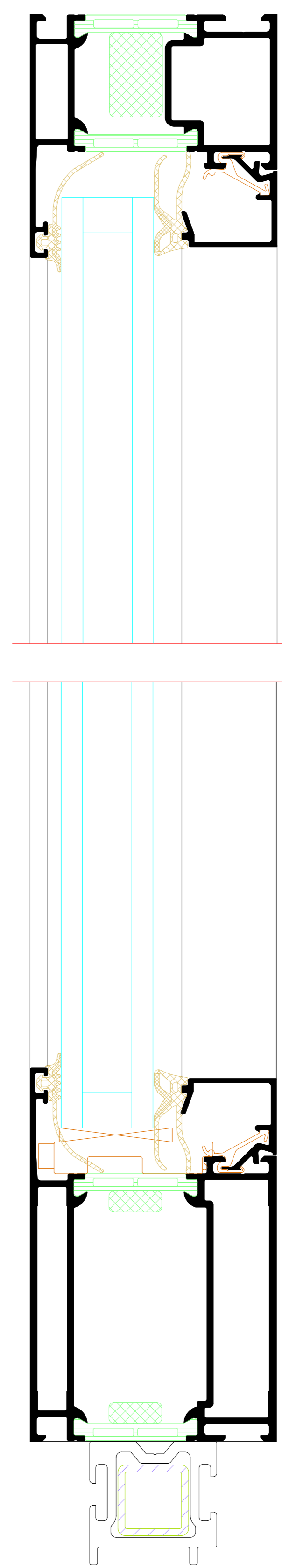
J



F

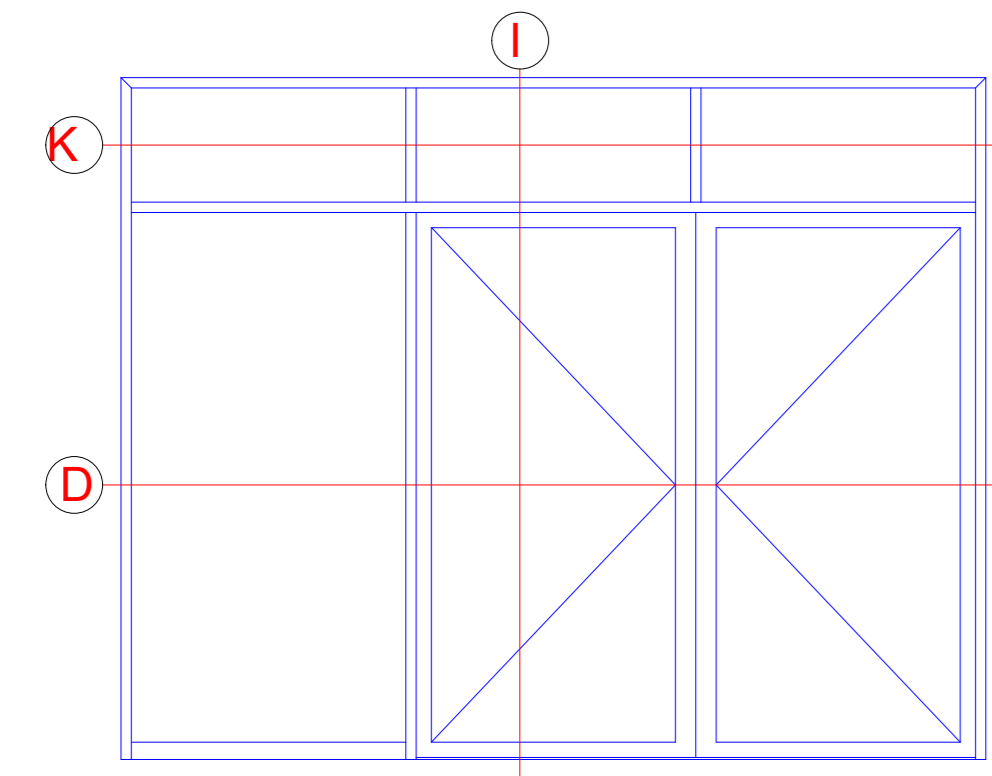


E

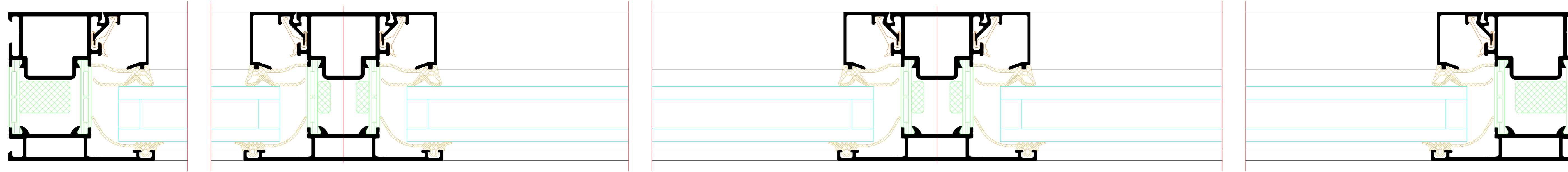


NO.	DATE	ISSUED	REVISION	BY	CHECKED
001	01.10.2018	01			
<p>Project: Riva Elemente Riva Unit section details</p> <p>Client: TÜR RIVA ADS F10 HD Außen öffnend, fächerbündig Door RIVA ADS F10 HD outward opening, flush-fixed</p>					
<p>Manufacturer: <b>BENEDICT + RIVA</b> <small>BENEDICT + RIVA GmbH Helmholtzstrasse 19 42699 Solingen, Germany</small></p>					

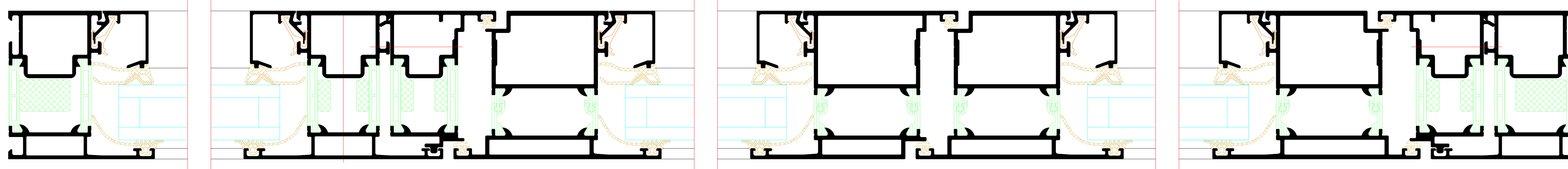
Zweiflügelige Tür mit Festfeld und Oberlicht  
 Double-leaf door with fixed light and toplight



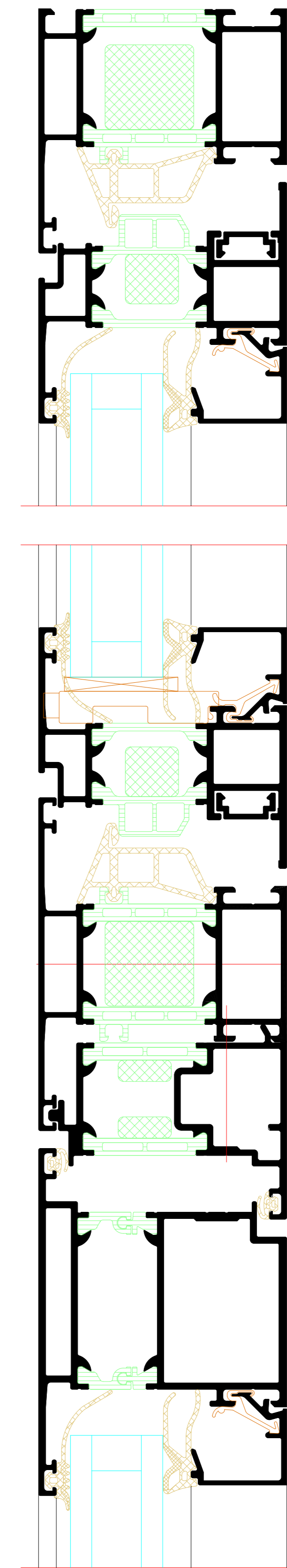
K

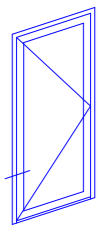


D

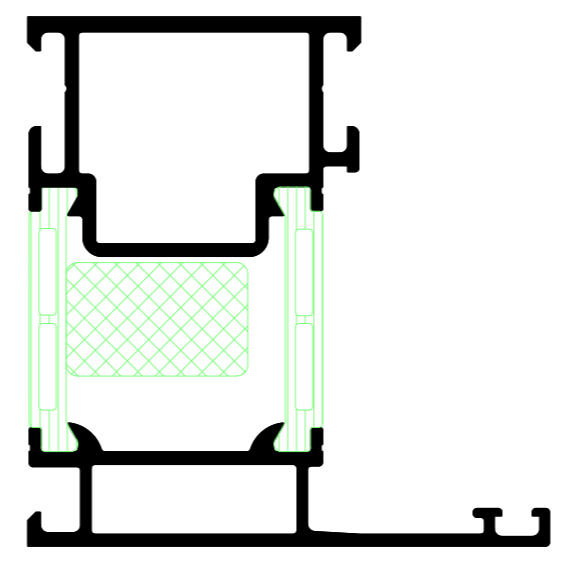
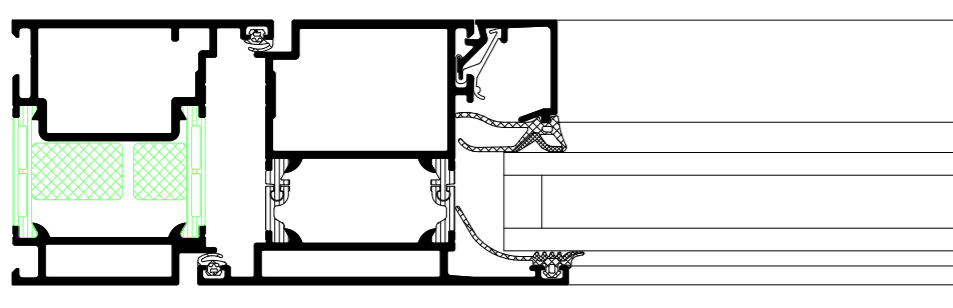


I

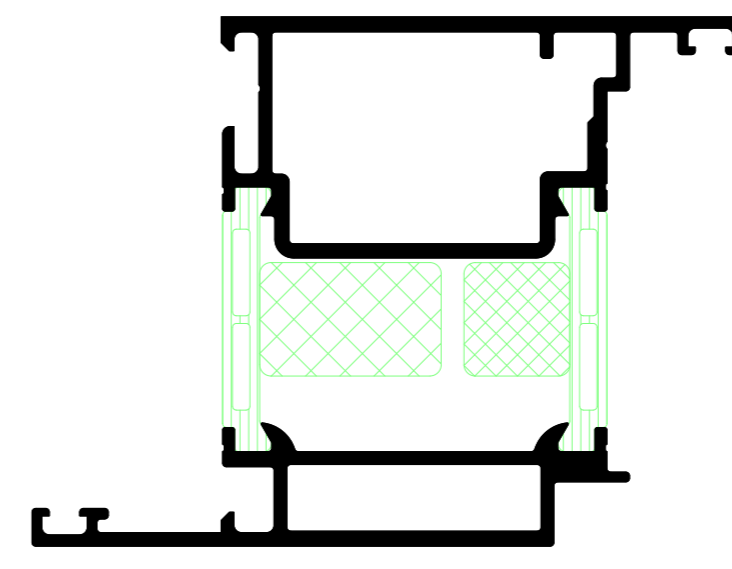




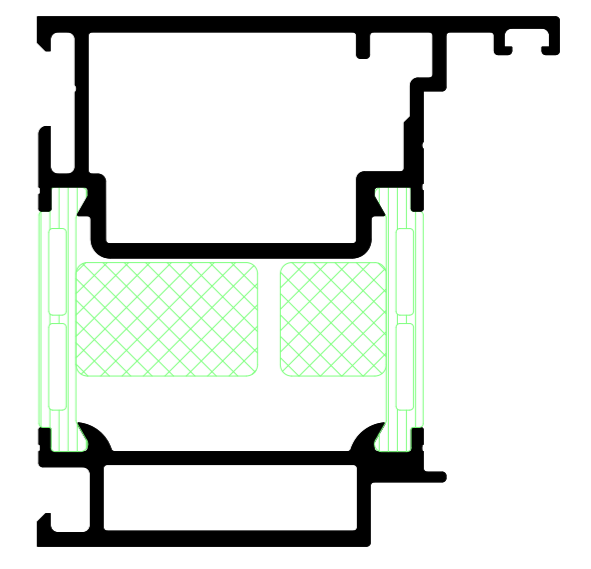
Blendrahmenprofil  
Outer frame profile



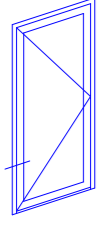
69



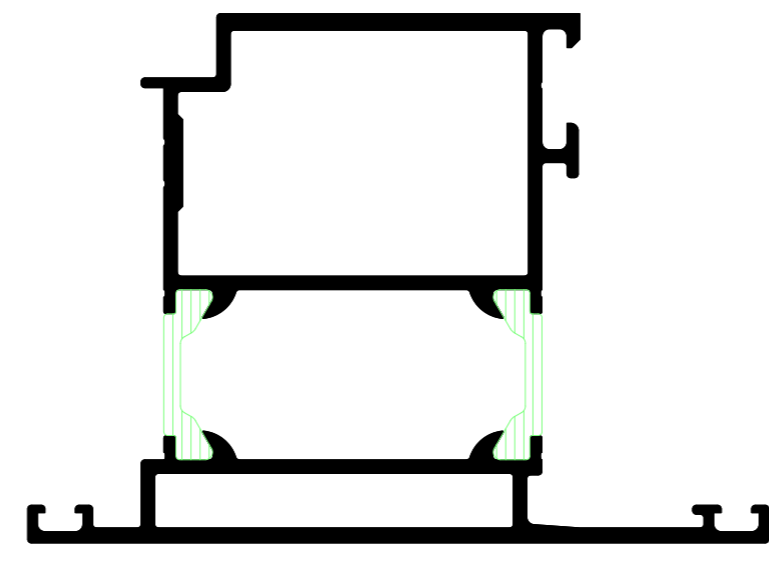
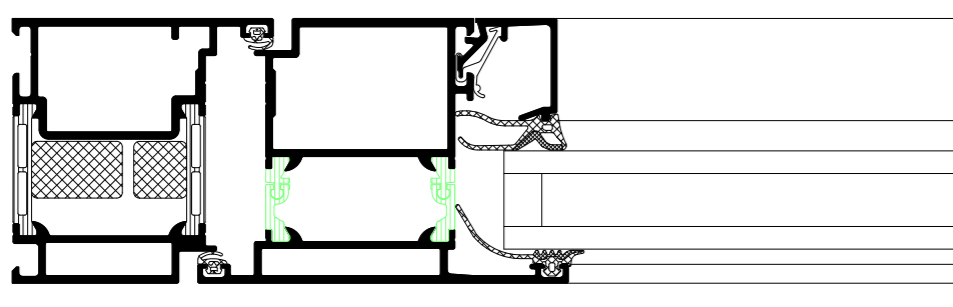
69



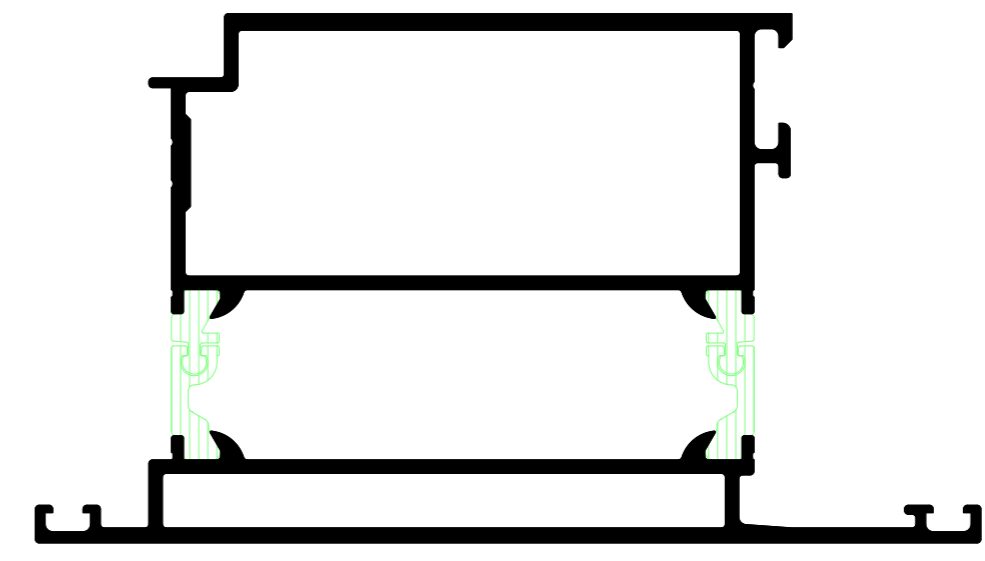
44



Flügelprofil  
Leaf profile

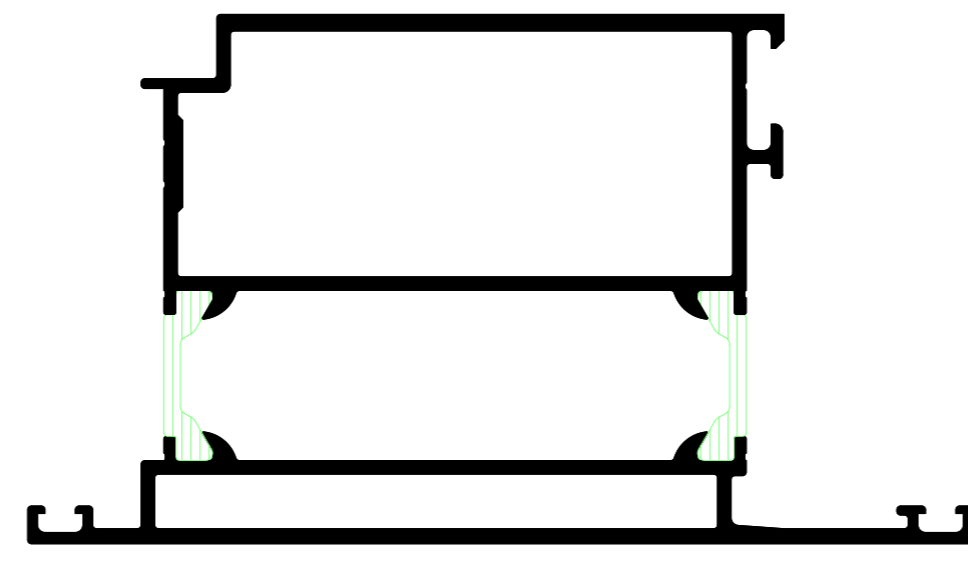


98

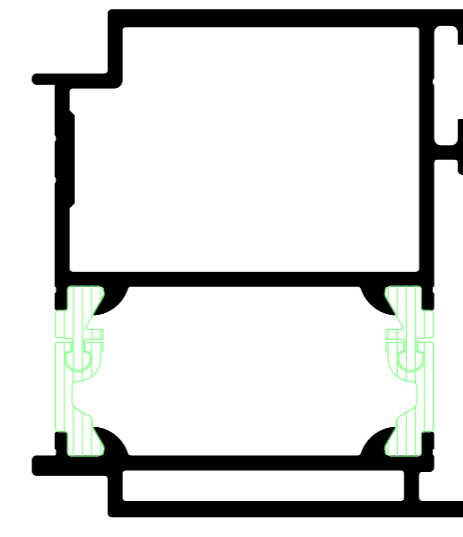


125

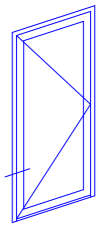
Flügelüberdeckend einseitig  
Leaf-enclosing on one side



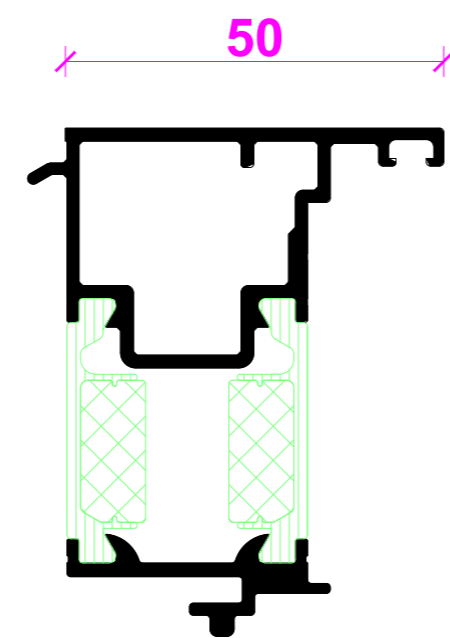
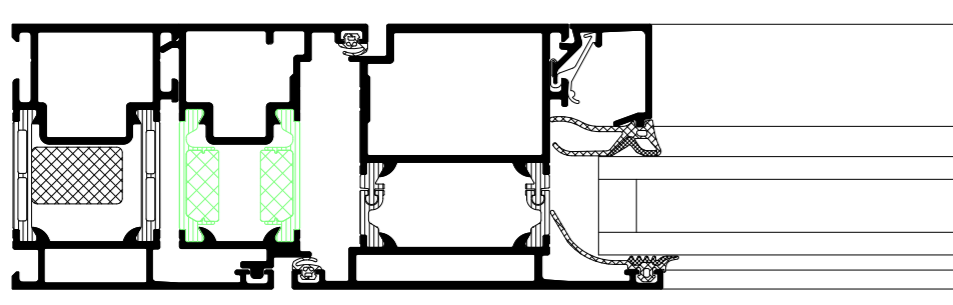
125



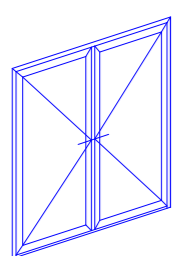
48



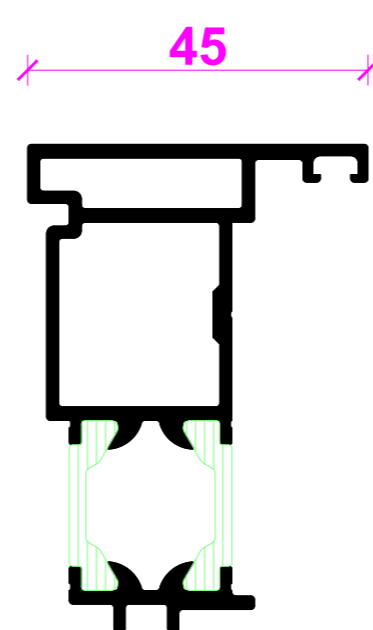
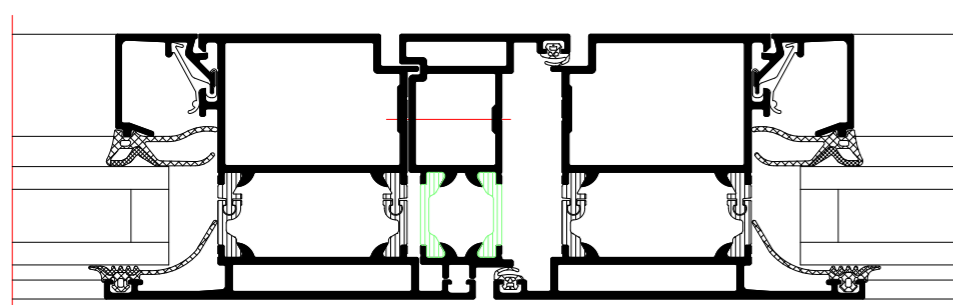
Wechselprofil  
Reverse rebate profile



50



Stulpprofil  
Meeting stile profile

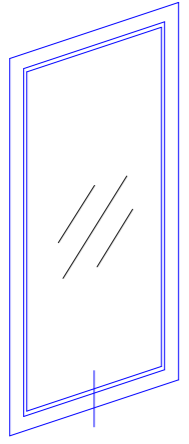


45

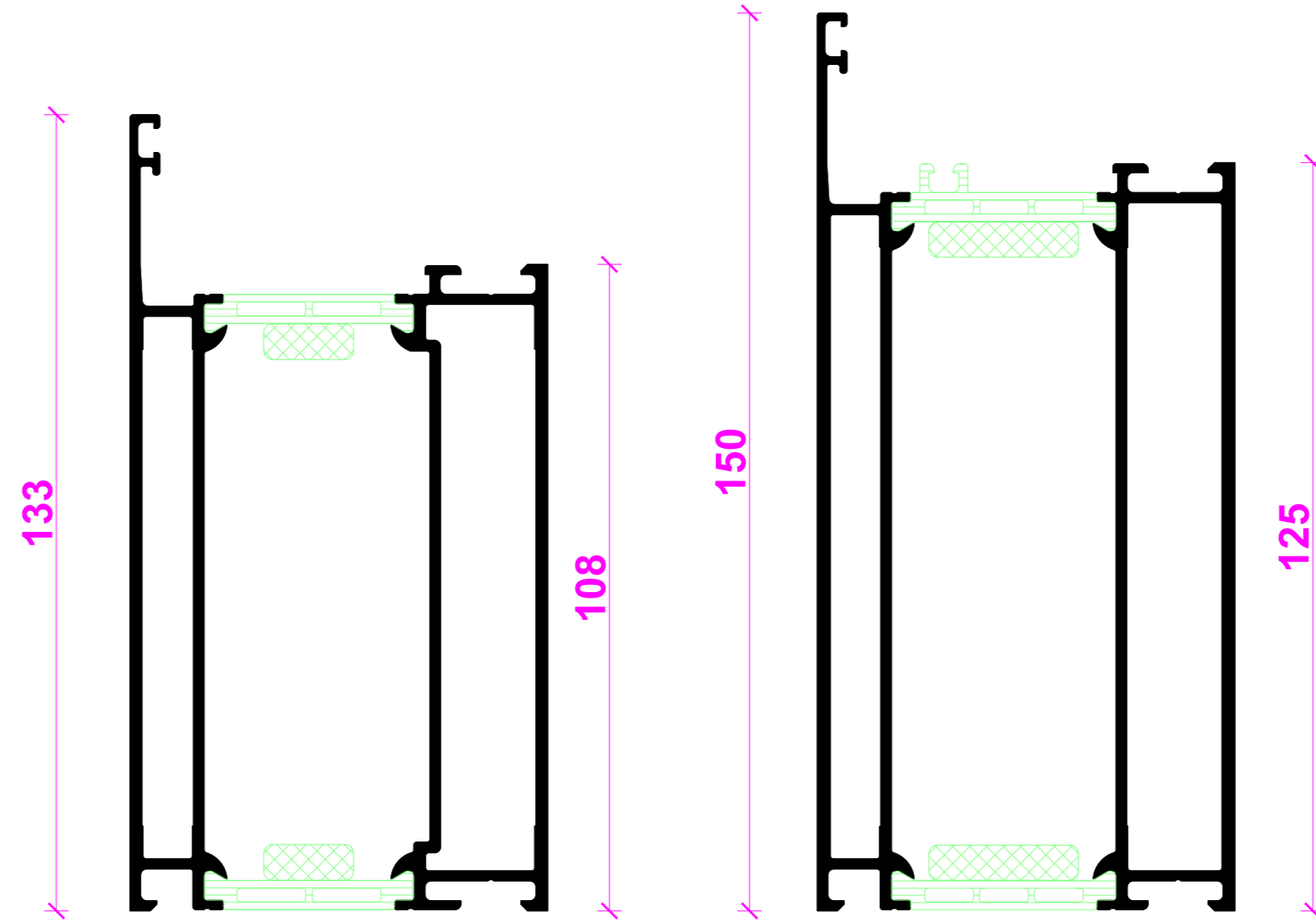
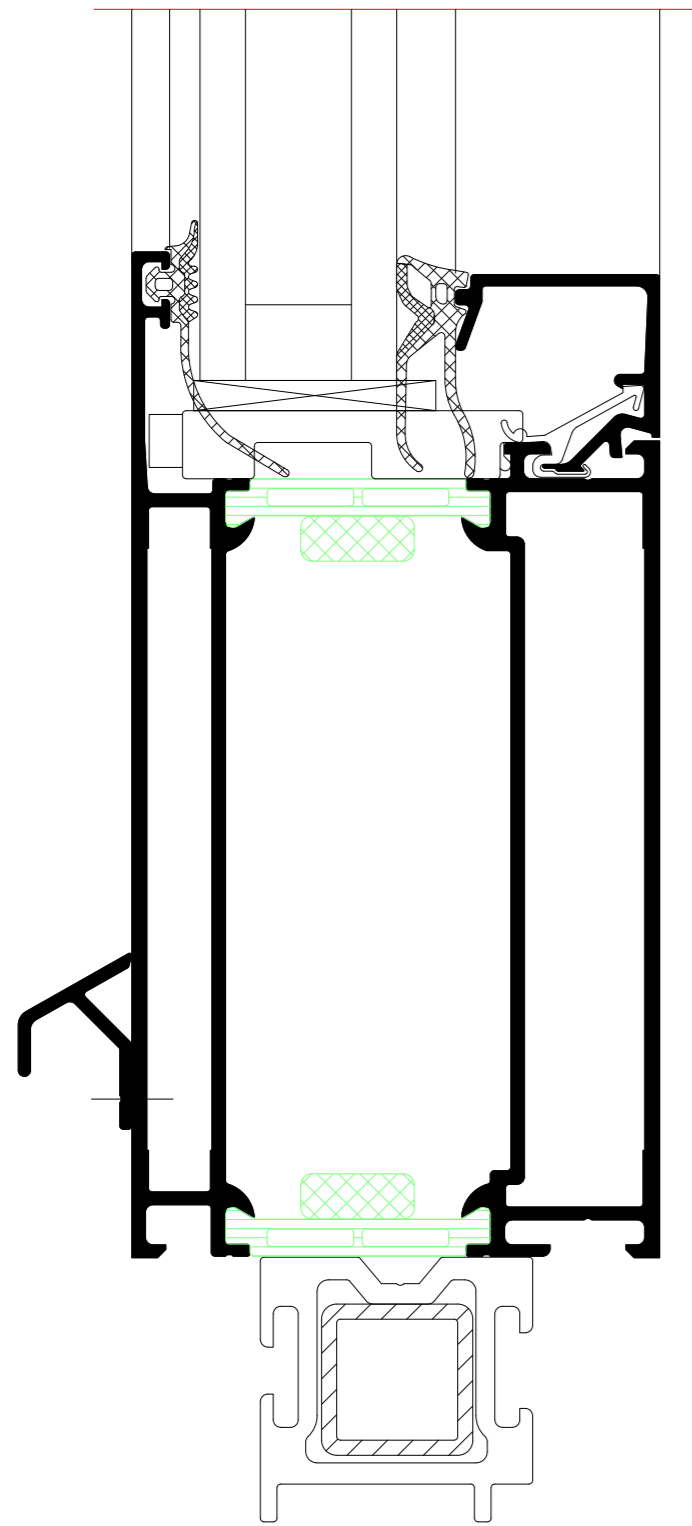
INDEX	DATE	ÄNDERUNG	GEZEICHNET	GEPRÜFT
NO.	DATE	CHANGE	DESIGNED BY	CHECKED BY
PLANNING				
PLAN CONTENT				
Riva Profilsysteme				PROJECT NO.
Riva Profile systems				PROJECT FILE
Tür RIVA ADS 70 HD Außen öffnend, flächenbündig				
Door RIVA ADS 70 HD outward opening, flush-fitted				
OWNER				
CLIENT				
PLANNING				
PLANNER				
BENEDICT + RIVA				
BENEDICT + RIVA GmbH				
Röselstrasse 13				
04229 Leipzig, Germany				
ANSCHREIBEPARTNER	KONTAKTPERSON			
PLANNING TYPE	STATUS	PLANNING FORMAT	MASTAB SCALE	GEZEICHNET DESIGNED BY
		DRW		SWX
PLANNING NUMBER	DOCUMENT NUMBER			



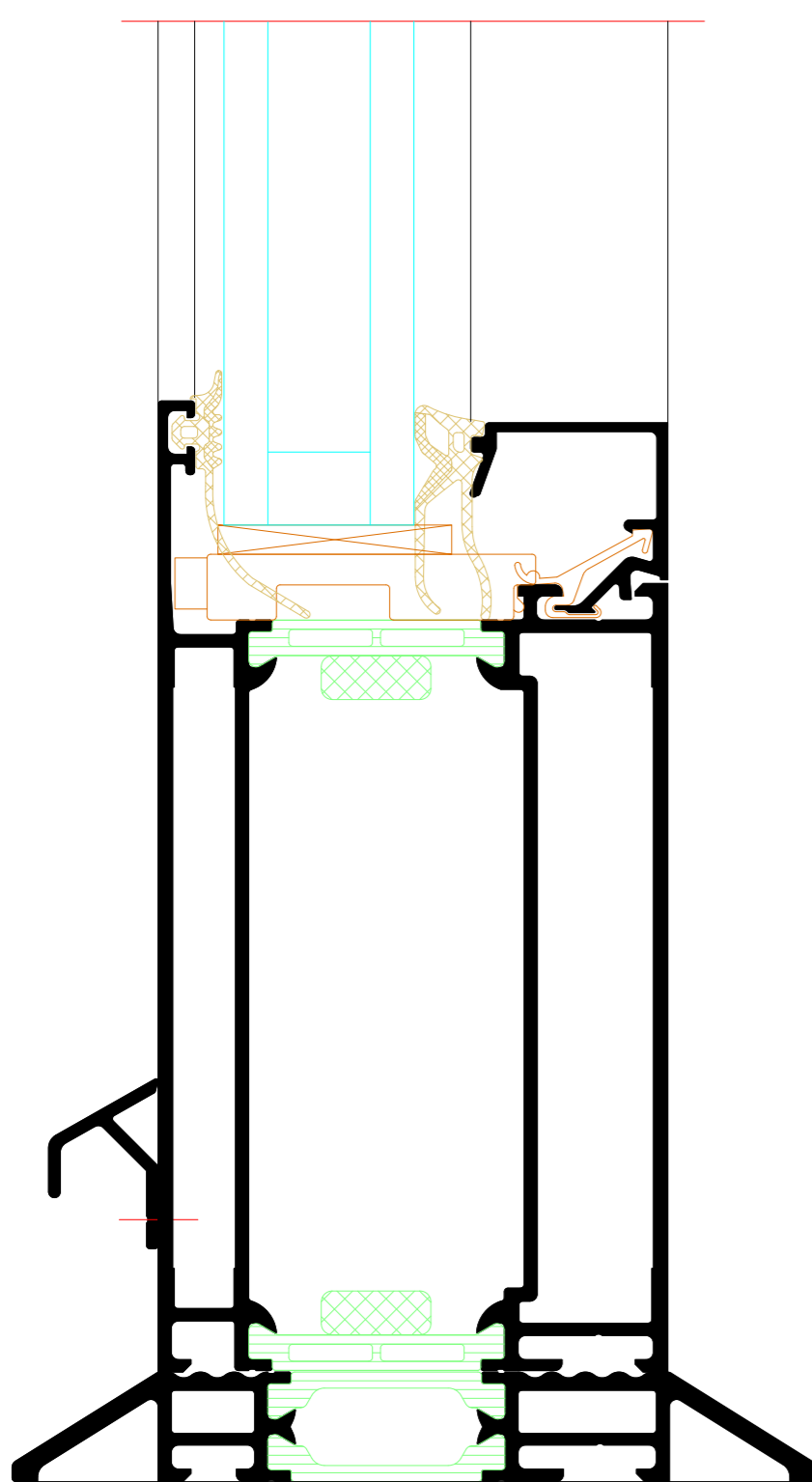
Sockel Festfeld  
Sill, fixed light



Profile  
Profiles

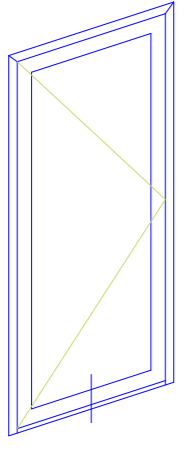


Varianten  
Options

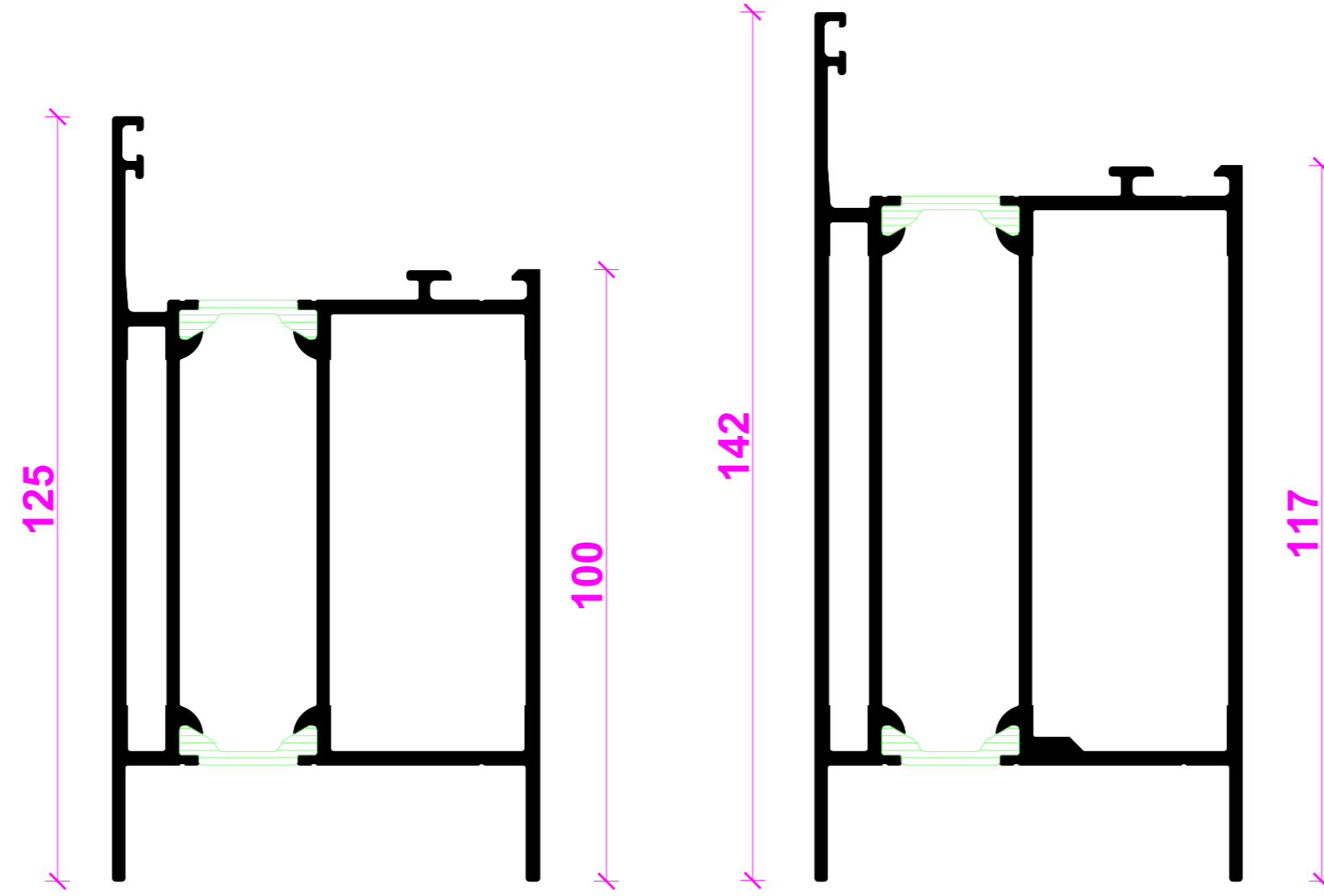
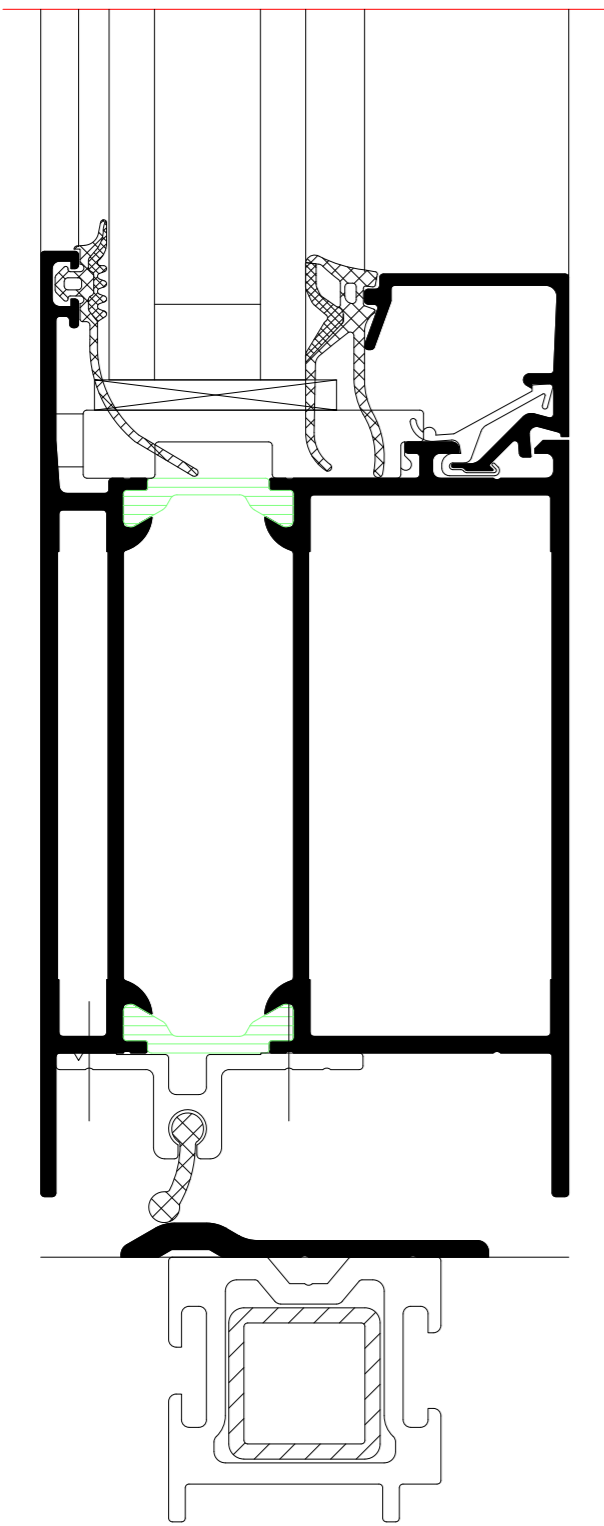


INDEX	DATE	ÄNDERUNG	GEZEICHNET	GEPRÜFT	
INDEX	DATE	CHANGE	DESIGNED BY	CHECKED BY	
PLANNING					
PLAN OVERVIEW					
Riva Profilsysteme					
Riva Profile systems					
PROJECT				PROJECT NO.	
Tür RIVA ADS 70 HD Außen öffnend, flächenbündig					
Door RIVA ADS 70 HD outward opening, flush-fitted					
CLIENT				PROJECT M.	
PLANNING					
PLANNING					
BENEDICT + RIVA					
BENEDICT + RIVA GmbH					
Röcklestrasse 13					
04320 Leipzig, Germany					
PLANNING	STATUS	PLANNING	SCALE	DESIGNED	GEPRÜFT
PLANNING TYPE	STATUS	FORM	SCALE	DESIGNED BY	CHECKED BY
				B.N.	W.A.
PLANNING					
DOCUMENT NUMBER					

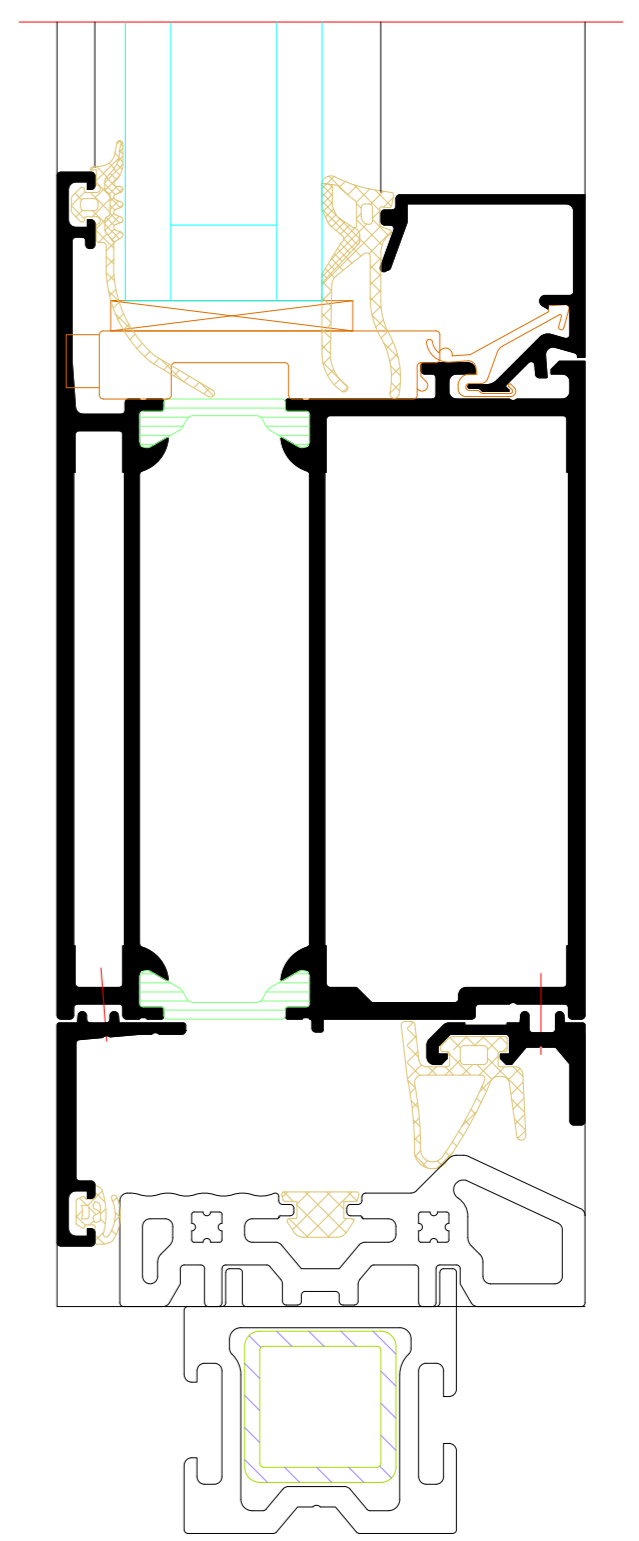
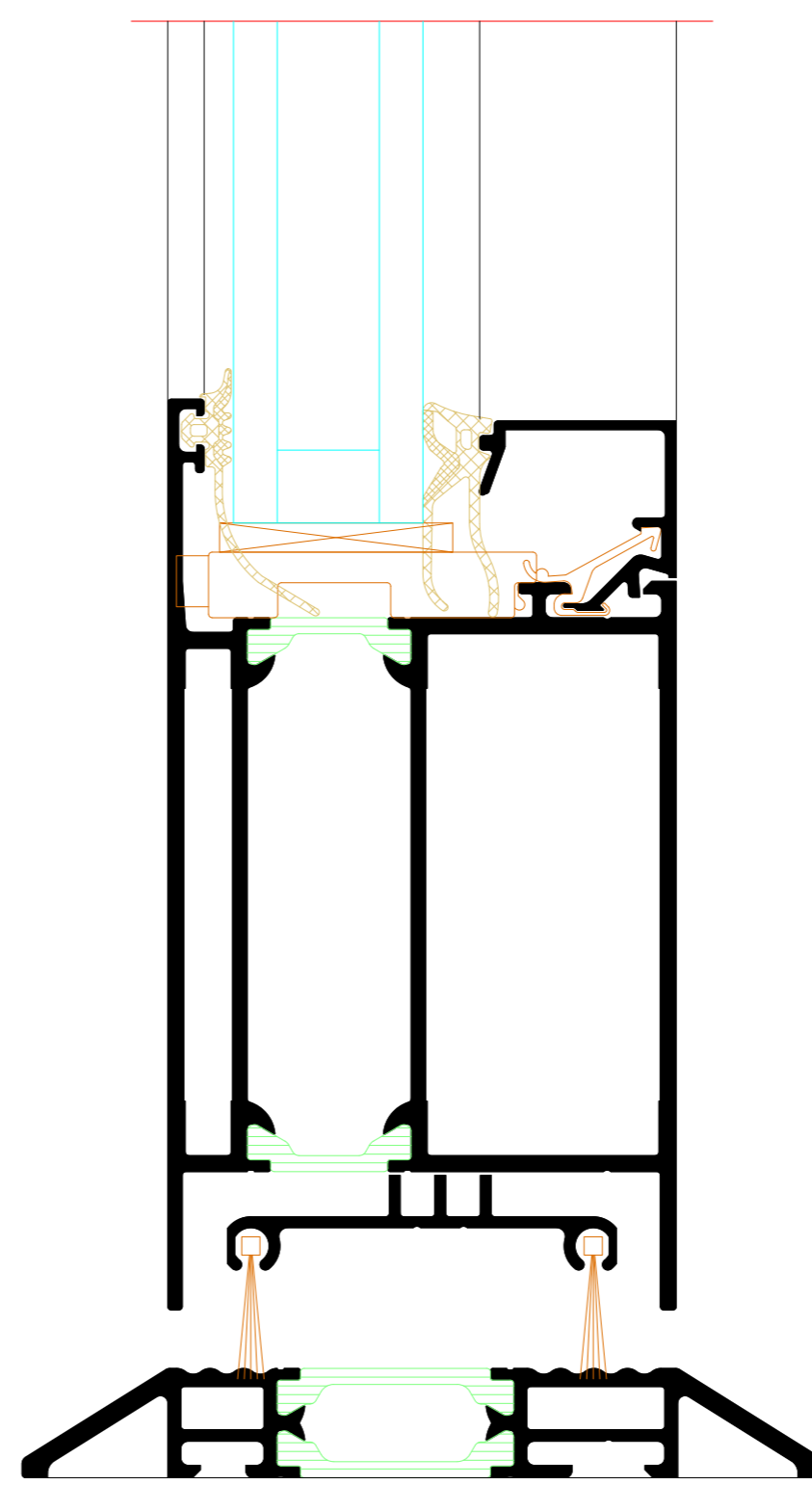
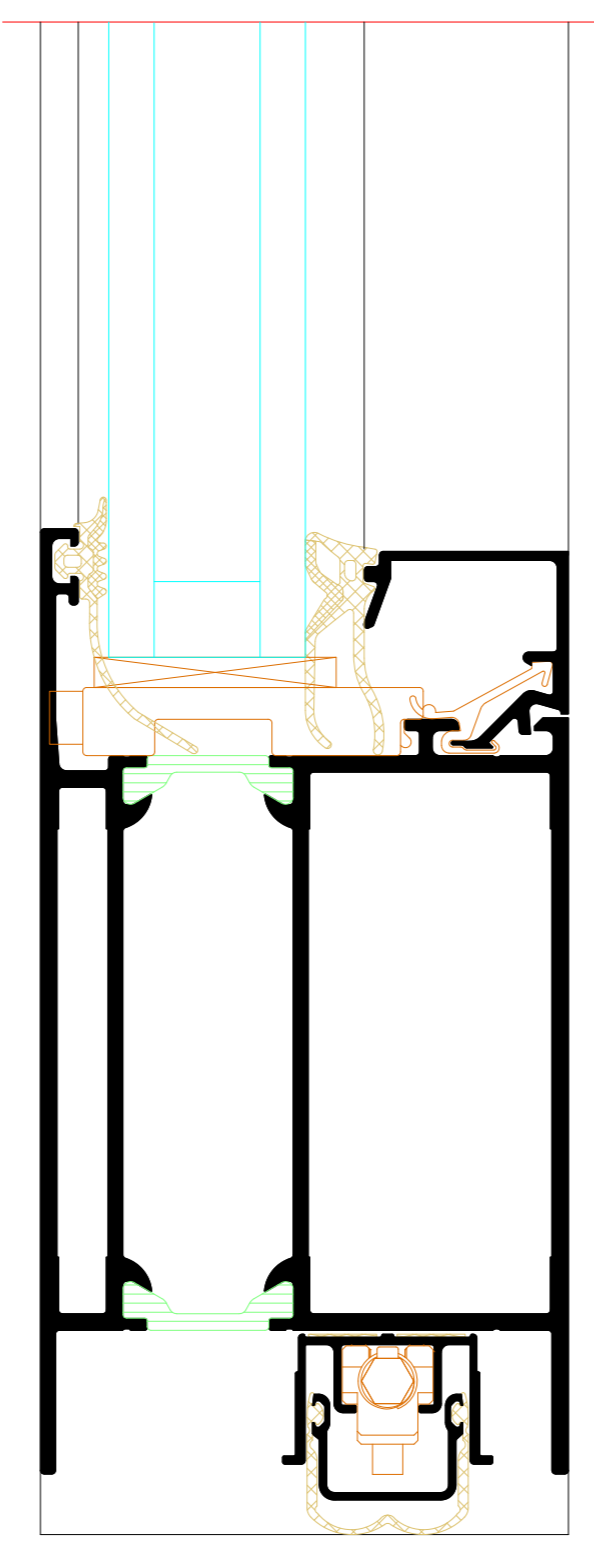
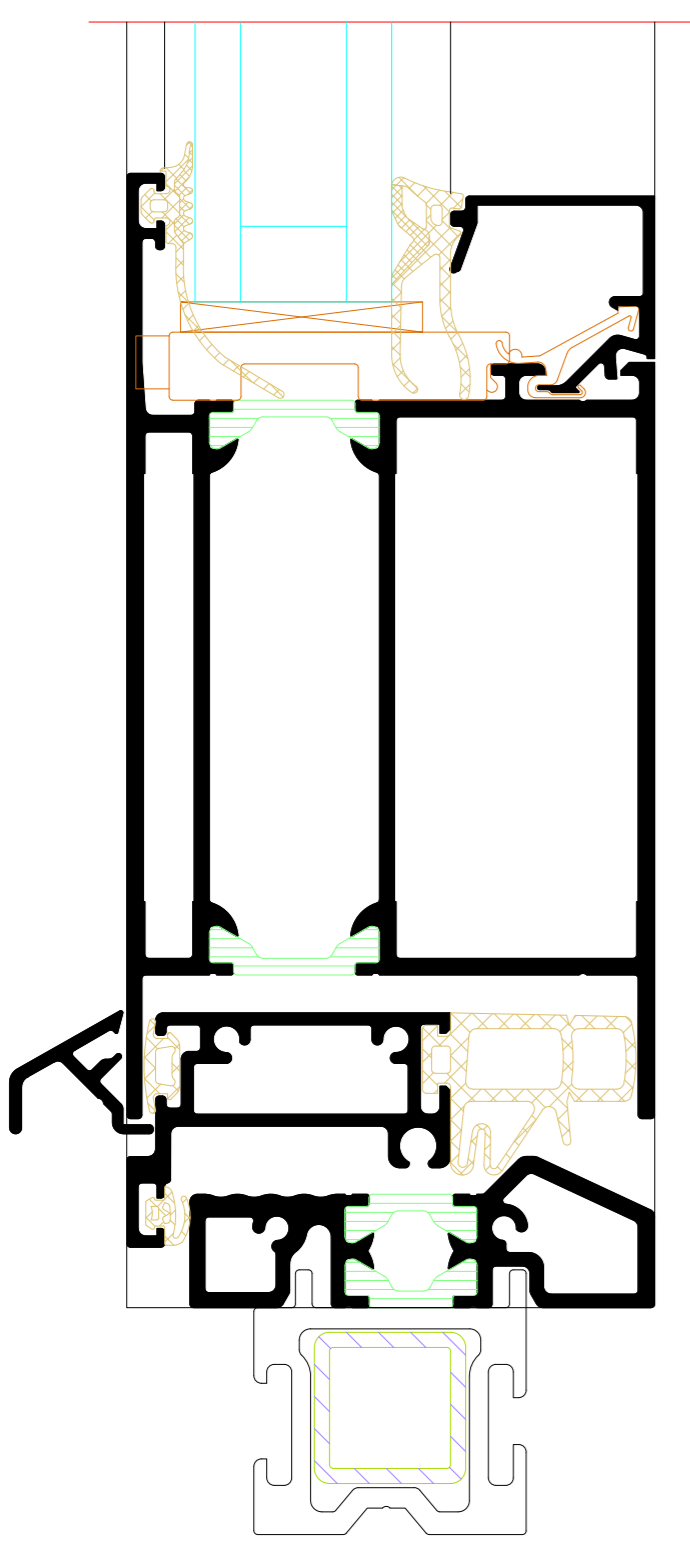
Sockel Öffnungselement  
Sill, opening unit



Profile  
Profiles



Varianten  
Options



**BENEDICT  
+ RIVA**

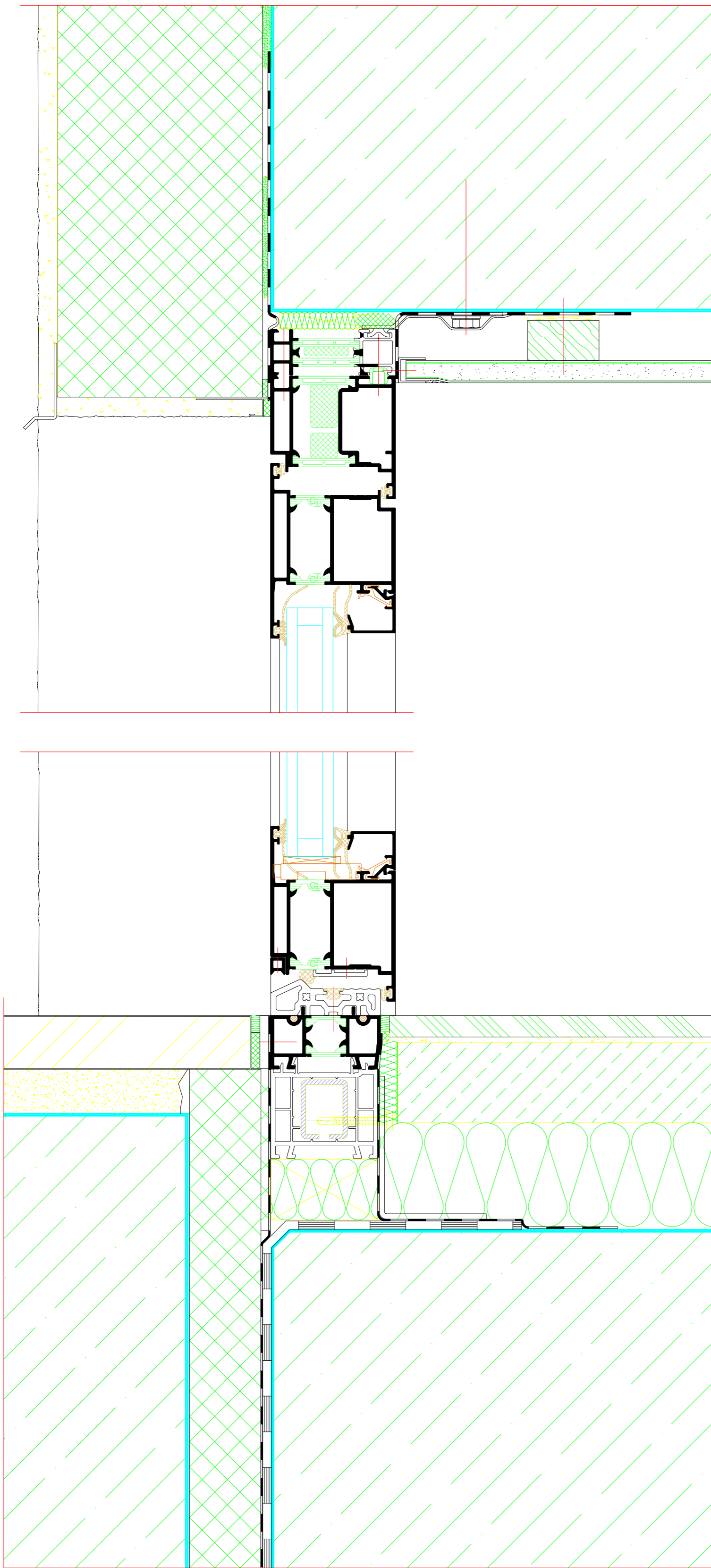
INDEX	DATUM	ÄNDERUNG	GEZEICHNET	GEPRÜFT	
NIECE	DATE	CHANGE	DESIGNED BY	CHECKED BY	
PLANNUMMER					
PLANCONTENT					
PROJECT				PROJECT NR.	
Riva Profilsysteme				PROJECT M.	
Riva Profile systems					
Tür RIVA ADS 70 HD Außen öffnend, flächenbündig					
Door RIVA ADS 70 HD outward opening, flush-fitted					
MASSSTAB CLIENT					
-					
PLANNUMMER PLANNER					
BENEDICT + RIVA					
			BENEDICT + RIVA GmbH Röckelstrasse 13 04229 Leipzig, Germany		
ANSPRECHPARTNER	STATUS	PLANNUMMER	MASSSTAB	GEZEICHNET	GEPRÜFT
CONTACT PERSON	STATUS	PLAN NO.	SCALE	DESIGNED BY	CHECKED BY
PLANNUMMER					
DOCUMENT NUMBER					

Wand mit WDVS

Wall with composite thermal insulation system

Oberer Anschluss

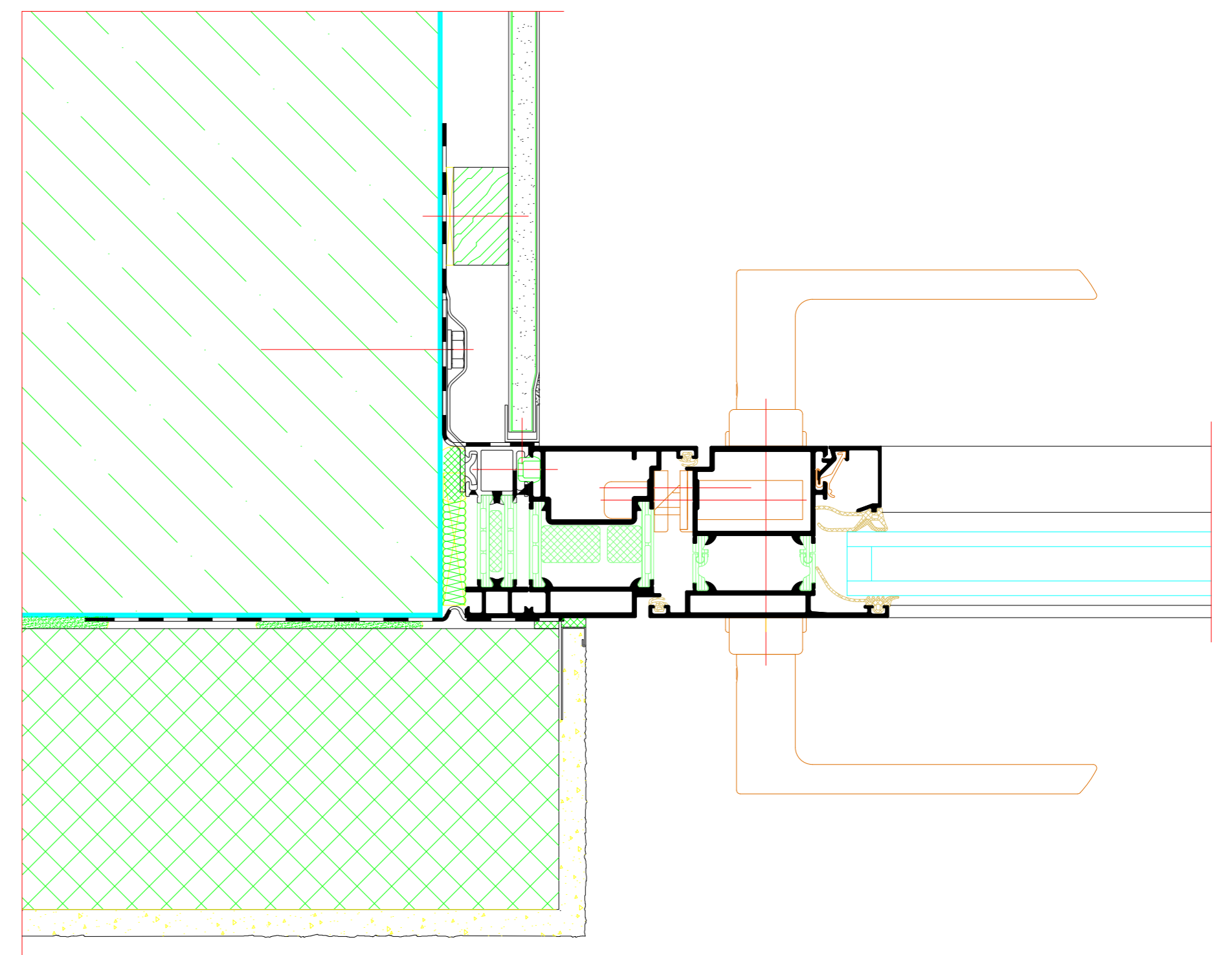
Top attachment



M 1:2

Seitlicher Anschluss

Side attachment



M 1:2

Unterer Anschluss

Bottom attachment

**BENEDICT**  
**+ RIVA**

INDEX	DATE	ÄNDERUNG	GEZEICHNET	GEPRÜFT
NEIG.	DATE	CHANGE	DRAWN BY	CHECKED BY
PLANNUMMER PLAN CONTENT				
Riva Baukörperanschlüsse Riva Attachments to building structure				
PROJEKT PROJECT				PROJEKT NR. PROJECT NO.
Tür RIVA ADS 70 HD Außen öffnend, flächenbündig Door RIVA ADS 70 HD outward opening, flush-fitted				
BAUHER CLIENT				
PLANVERFASSTER PLANNER				
<b>BENEDICT + RIVA</b> <b>BENEDICT + RIVA GmbH</b> Röselstrasse 13 04229 Leipzig, Germany				
ANSPRECHPARTNER CONTACT PERSON		MULTIPLY ANOTHER		
PLANNUMMER PLANNING TYPE	STATUS	PLANNUMMER FORMAT	MAßSTAB SCALE	GEZEICHNET DRAWN BY
PLANNUMMER DOCUMENT NUMBER				GEPRÜFT CHECKED BY