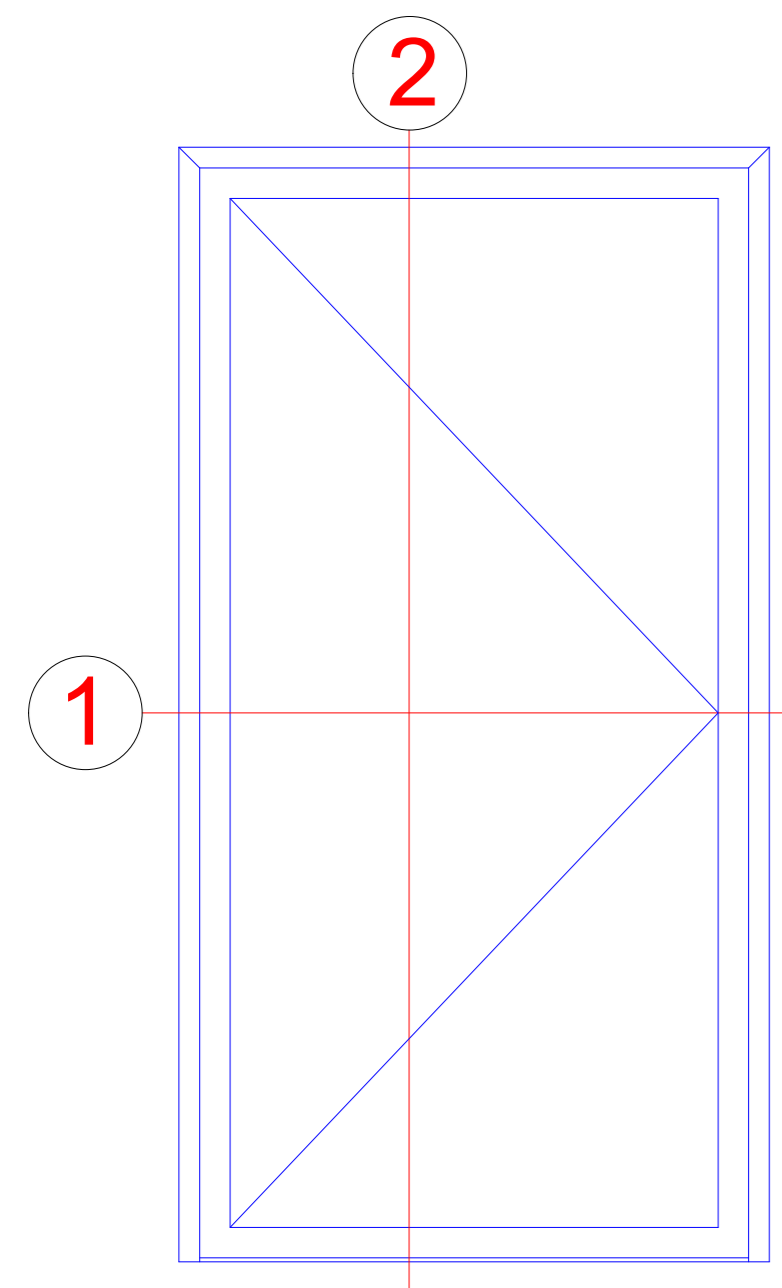
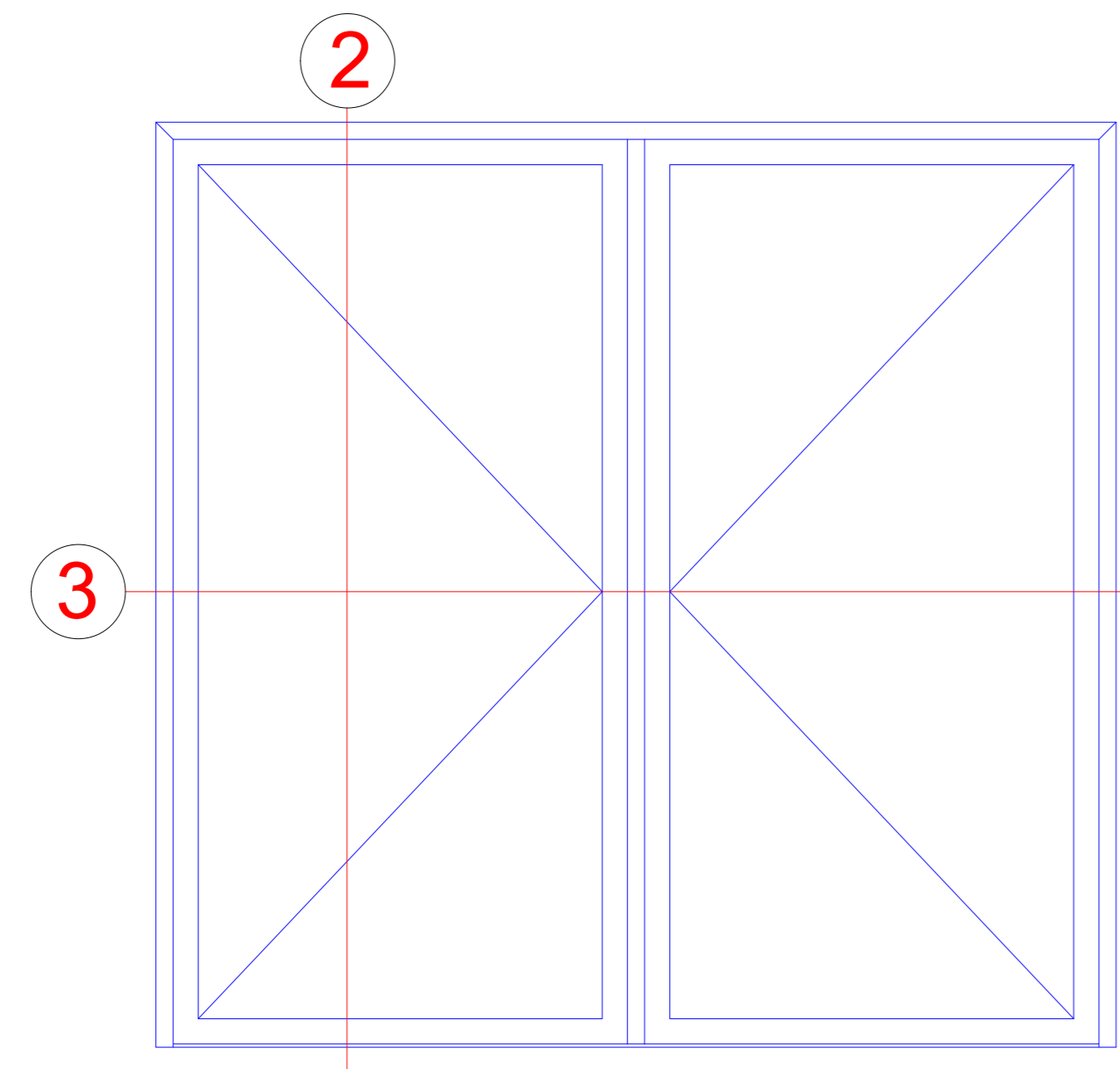


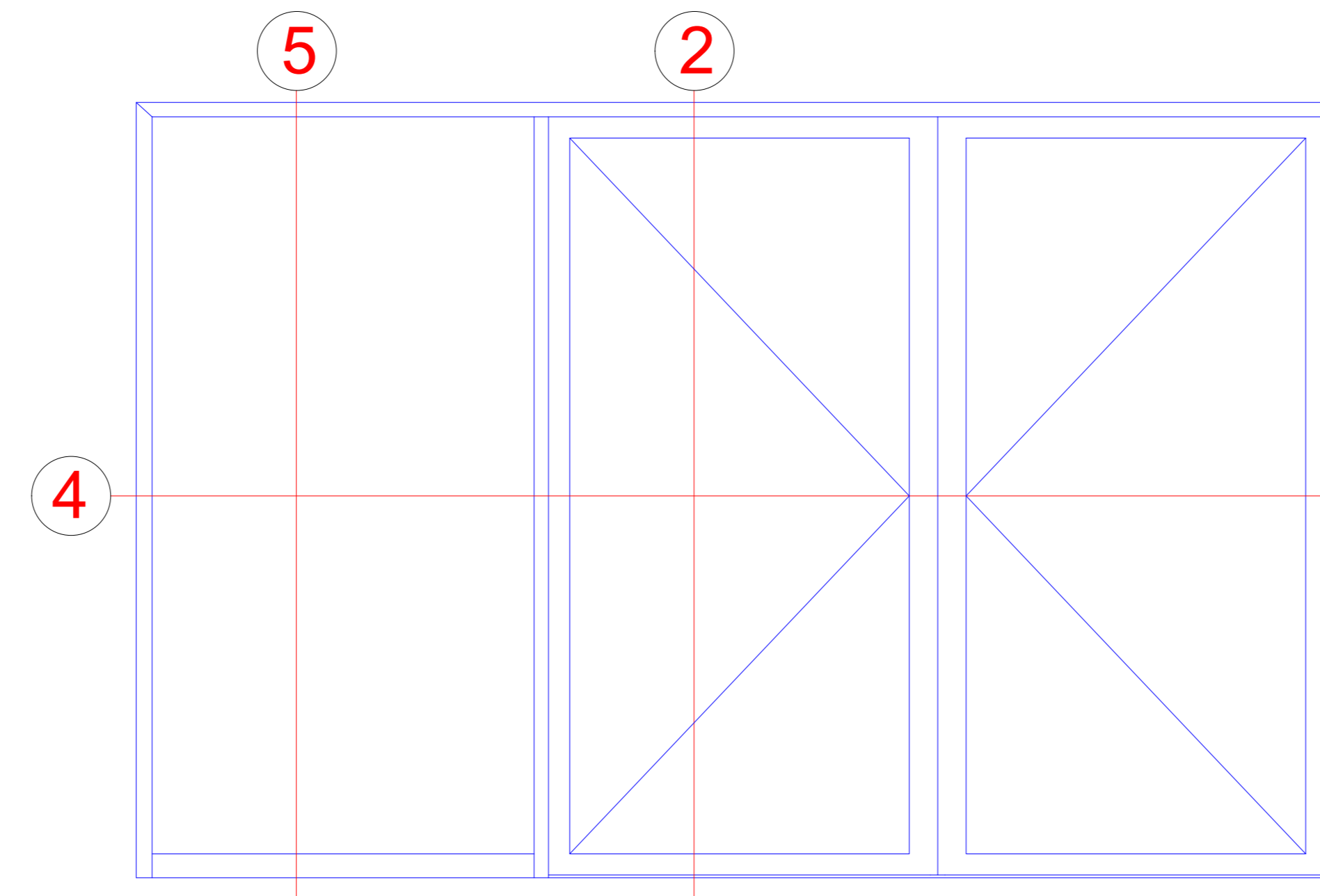
Einflügelige Tür
Single-leaf door



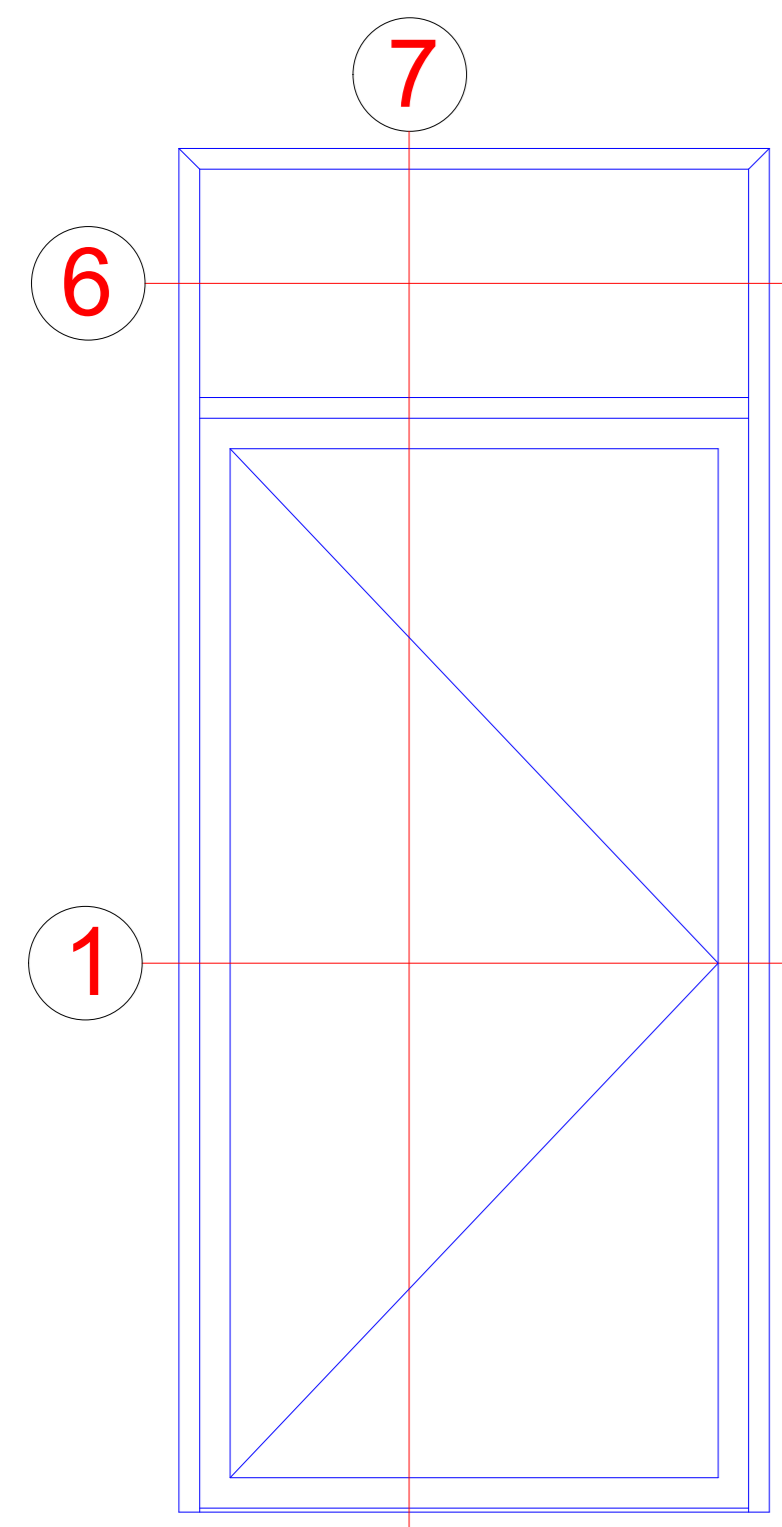
Zweiflügelige Tür
Double-leaf door



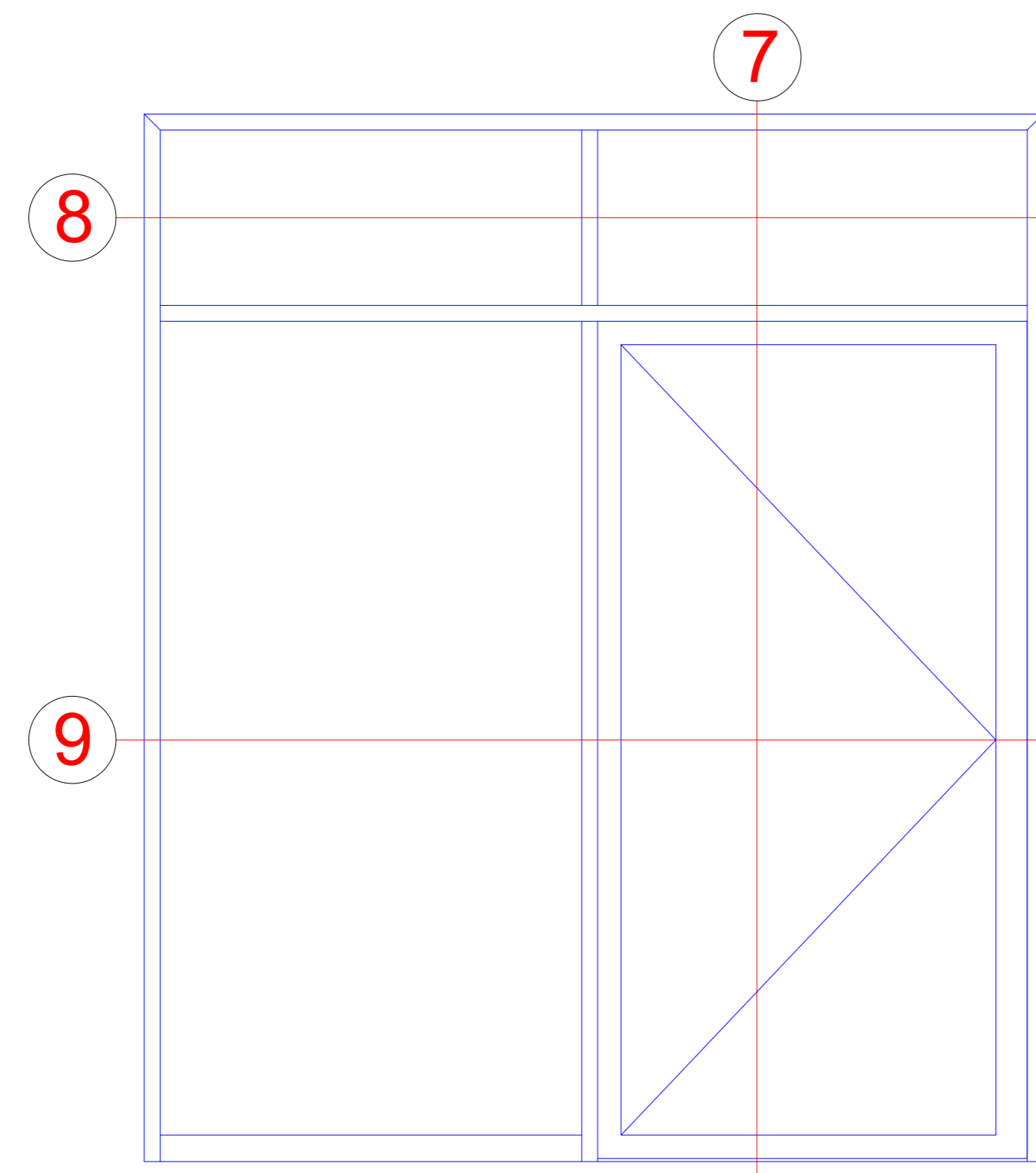
Zweiflügelige Tür mit Festfeld
Double-leaf door with fixed light



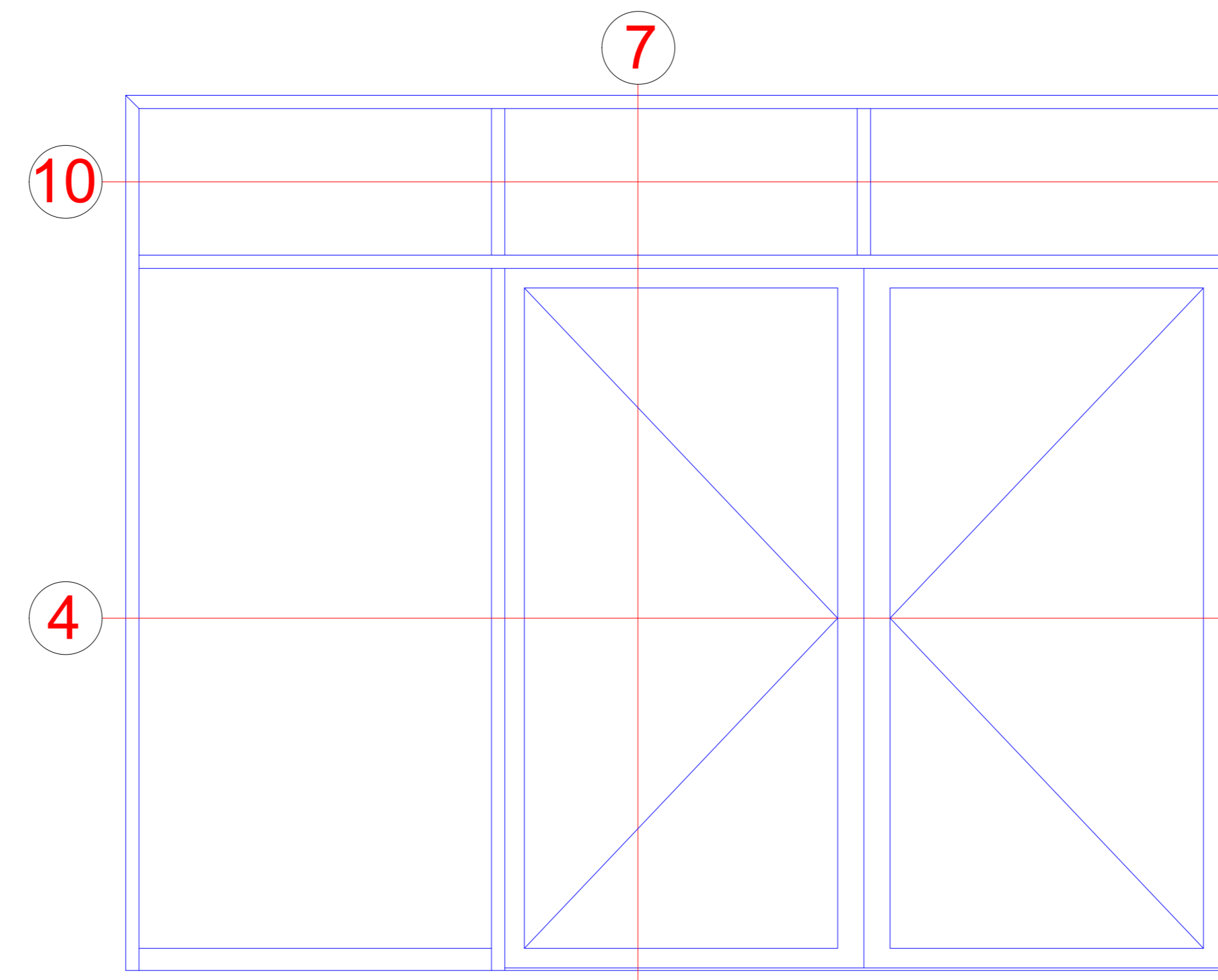
Einflügelige Tür mit Oberlicht
Single-leaf door with toplight



Einflügelige Tür mit Festfeld und Oberlichtern
Single-leaf door with fixed light and toplights



Zweiflügelige Tür mit Festfeld und Oberlicht
Double-leaf door with fixed light and toplight



Mit Bausteinsystem kombinierbar
Can be combined with modular system

Technische Informationen

Technical information

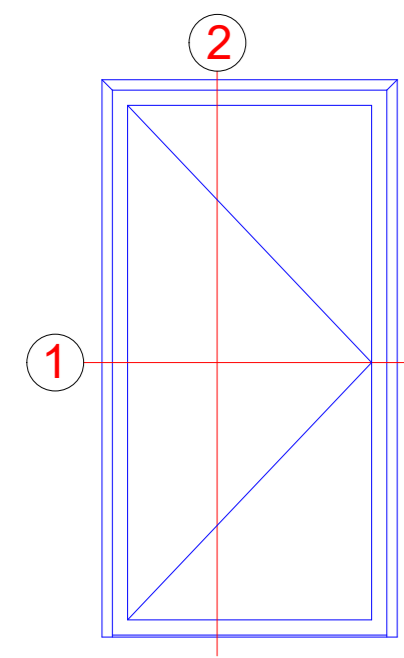
Prüfungen und Normen *

Tests and standards

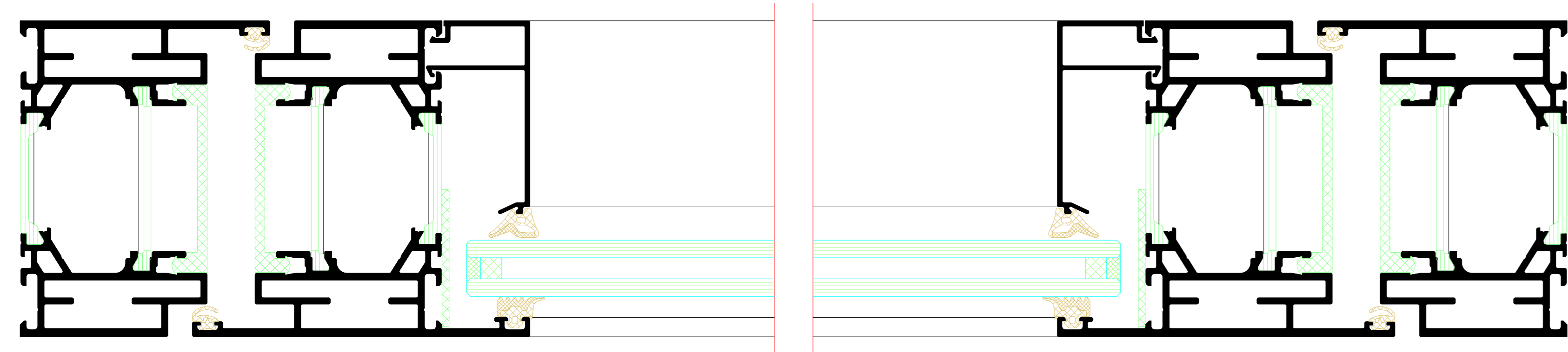
Feuerwiderstandsklasse nach EN 1634/1364 (DIN 4102) Fire resistance class in accordance with EN 1634/1364 (DIN 4102)	Klasse EI_2 30 (T30/F30) Class EI_2 30 (T30/F30)
Rauchschutzklasse nach EN 1634-3 (DIN 18095) Smoke protection class in accordance with EN 1634-3 (DIN 18095)	Klasse Sa, S200 Class Sa, S200
Dauerfunktionsnachweis nach EN 1191 Proof of resistance to repeated opening and closing in accordance with EN 1191	Klasse C5 Class C5
Schallschutz nach EN ISO 10140-1 Sound reduction in accordance with EN ISO 10140-1	Rw = 42 dB

* Die Angaben beschreiben die Bestwerte des Gesamtsystems bei innen als auch außen öffnenden Ausführungen. Die Eigenschaften einer jeweils gewählten Ausführungsvariante oder Elementkombination sind im Einzelfall anhand der ausführlichen Prüfdokumentation zu bestimmen.
The information describes the optimum values of the entire system for both inward and outward-opening designs. The properties of a selected design option or unit combination have to be determined individually based on the comprehensive test documentation.

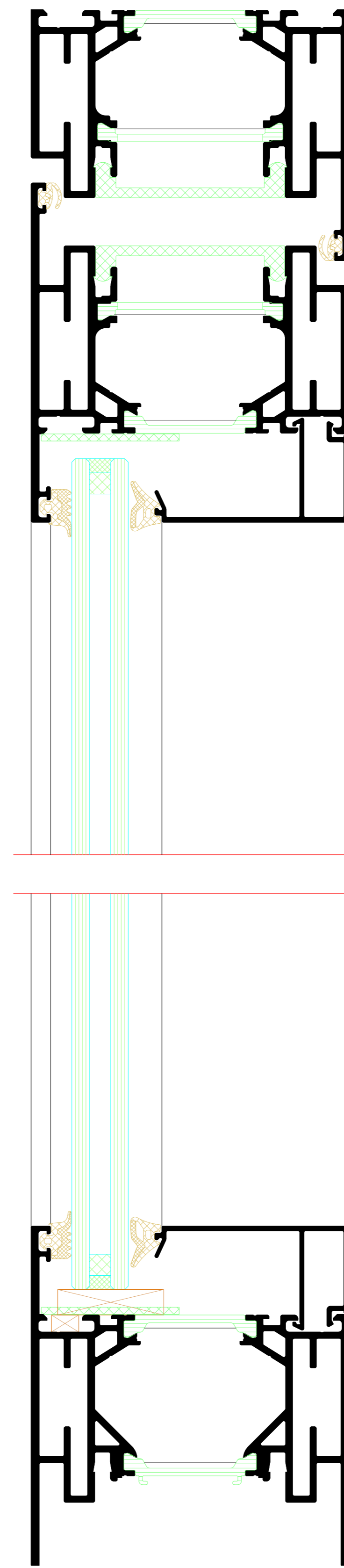
Einflügelige Tür
Single-leaf door



1



2

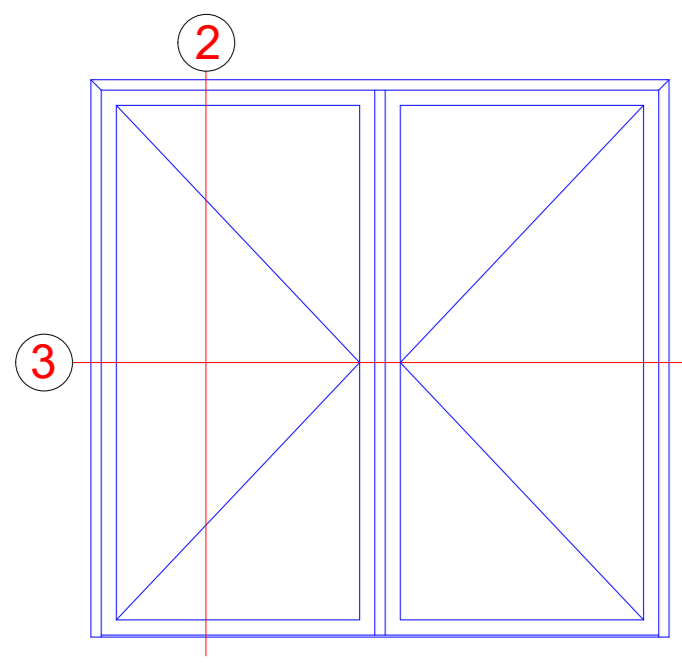


NO.	DATE	REVISION	BY	CHECKED	DATE
001	2024	01

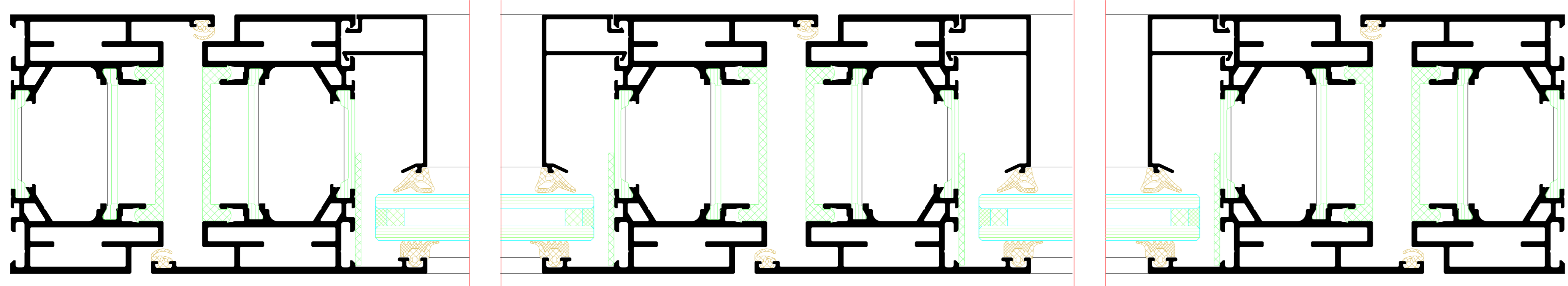
NO.	DESCRIPTION	DATE
001	Riva Elementschelle	...
002	Riva LIFT section details	...
003	Tür RIVA FireStop ADS 90 FR30 Außen öffnend	...
004	Door RIVA FireStop ADS 90 FR30 outward opening	...

BENEDICT + RIVA BENEDICT - RIVA GmbH
Helmuth-Götsch-Str. 11
42699 Solingen, Germany

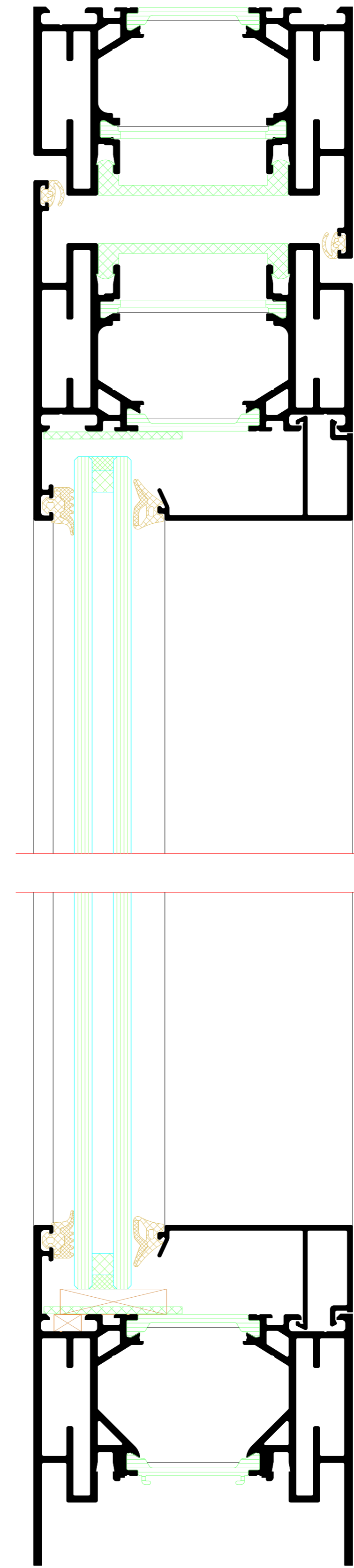
Zweiflügelige Tür
Double-leaf door



3



2

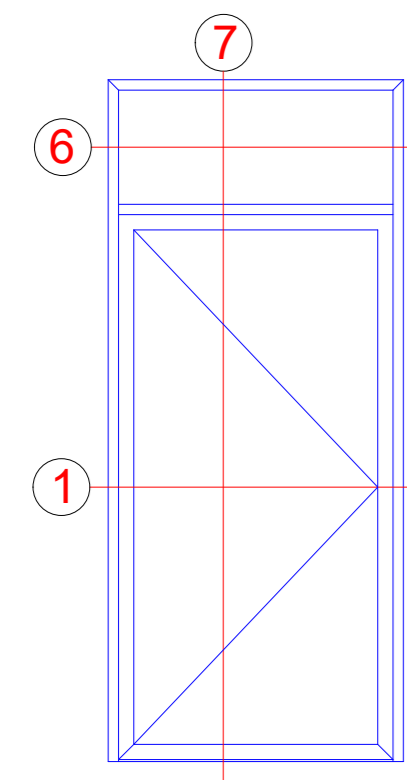


NO.	DATE	ISSUED	REVISION	BY
001	2024	01		

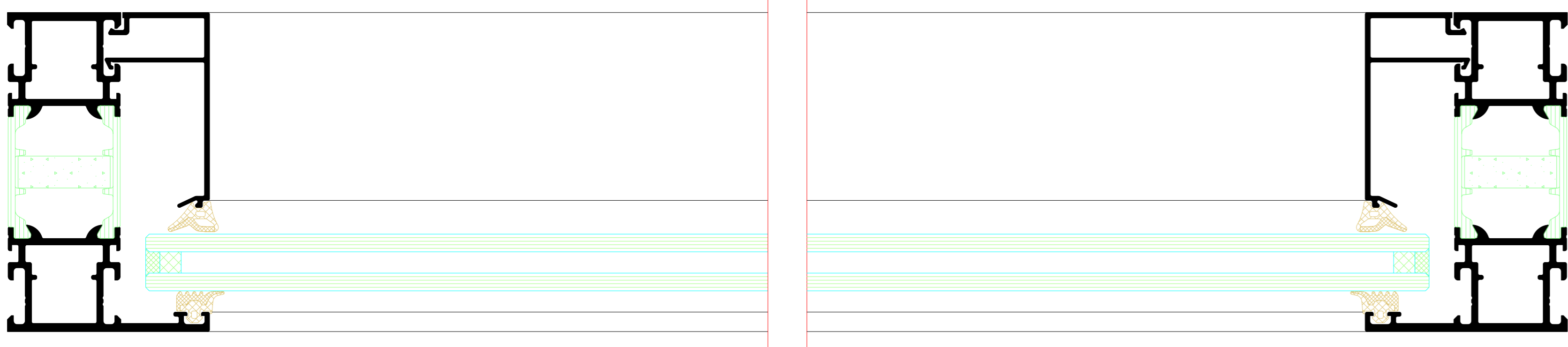
Riva Elementschelle
Riva LHM section details
Tür RIVA FireStop ADS 90 FR30 Außen offhend
Door RIVA FireStop ADS 90 FR30 outward opening

BENEDICT + RIVA **BENEDICT + RIVA GmbH**
Helmholtzstrasse 14
42699 Solingen, Germany

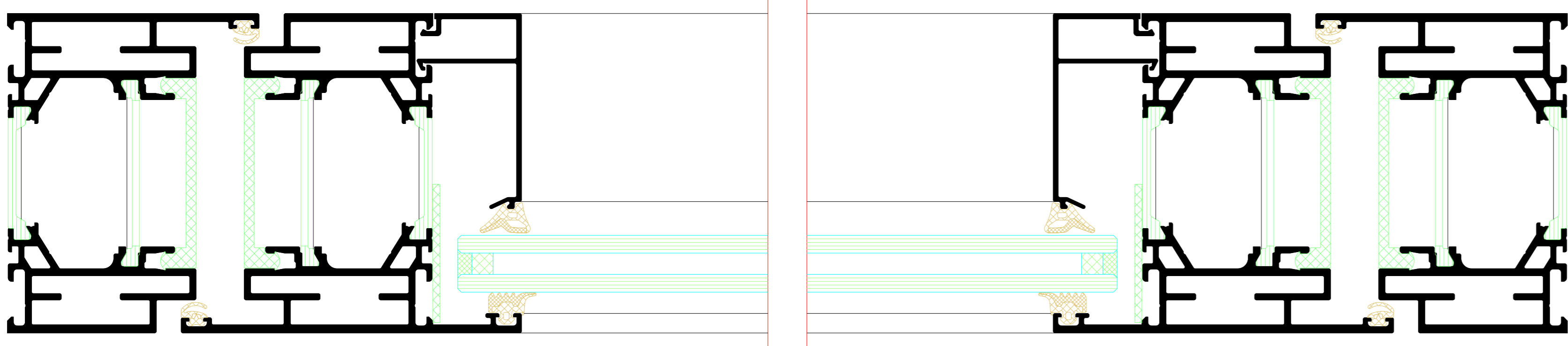
Einfügelige Tür mit Oberlicht
Single-leaf door with toplight



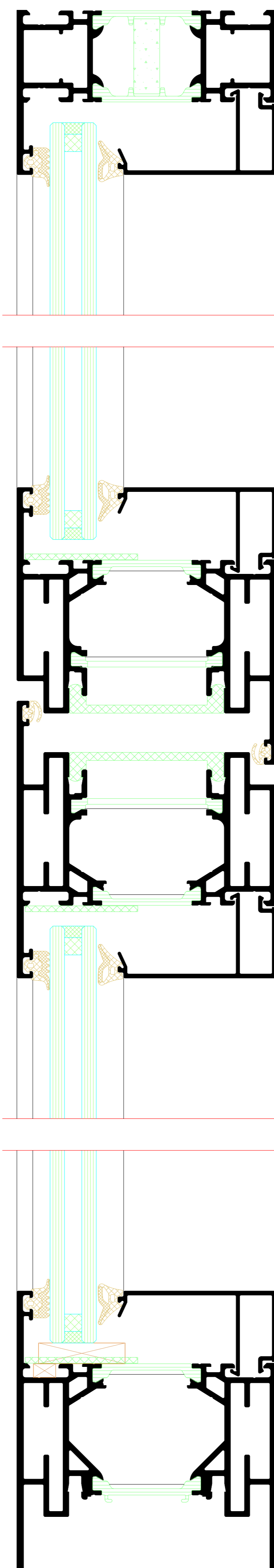
6



1



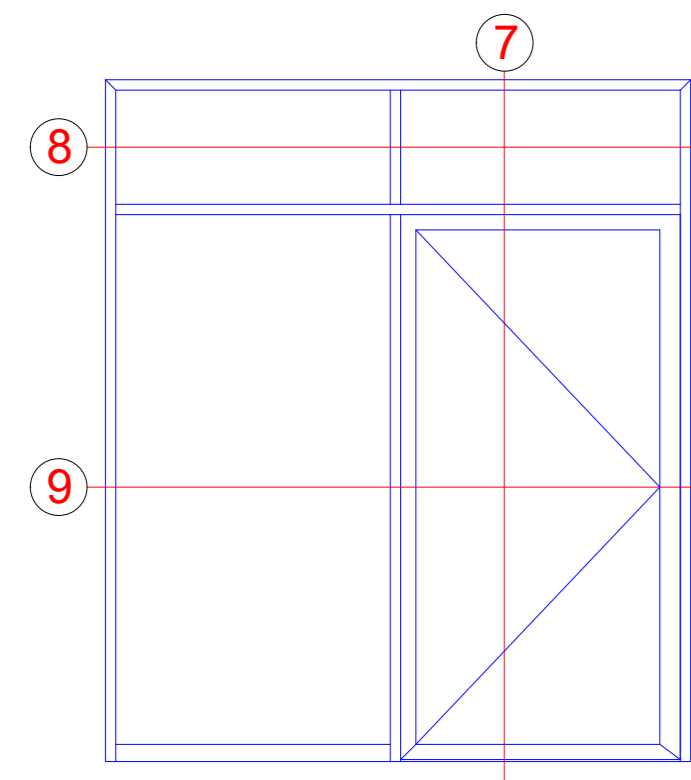
7



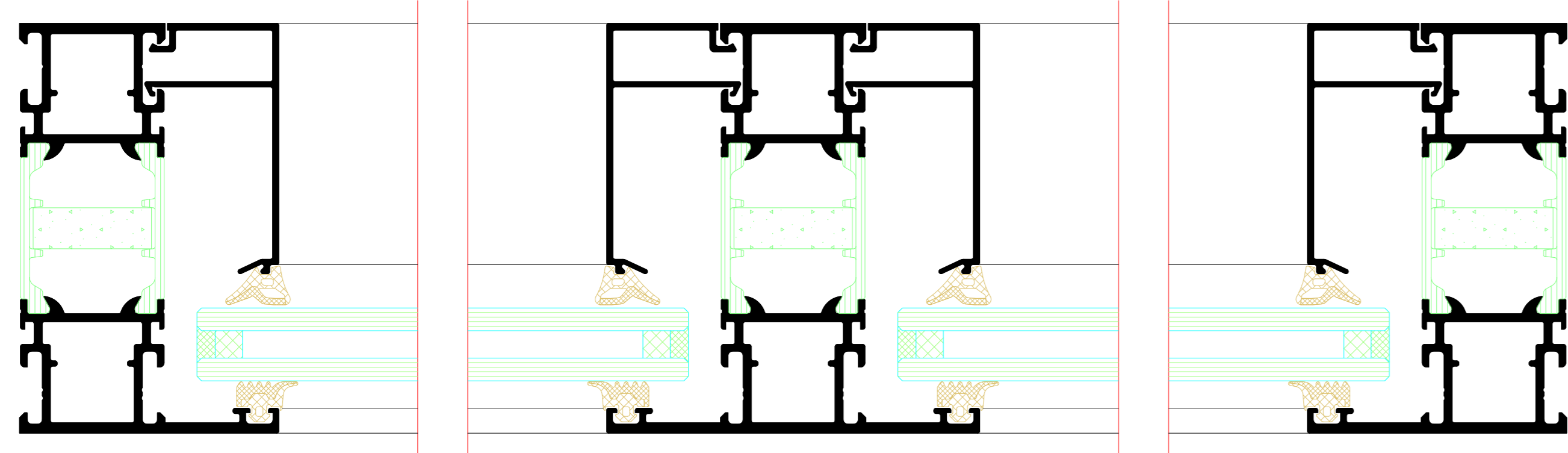
NO.	DATE	DESCRIPTION	BY	CHECKED	DATE
1	2023	Riva Elementbuchelle			
2	2023	Riva Lini section details			
3	2023	Tür RIVA FireStop ADS 90 FR30 Außen öffnend			
4	2023	Tür RIVA FireStop ADS 90 FR30 nachwendig öffnend			

BENEDICT + RIVA BENEDICT - RIVA GmbH
Helmholtzstrasse 19
42699 Solingen, Germany

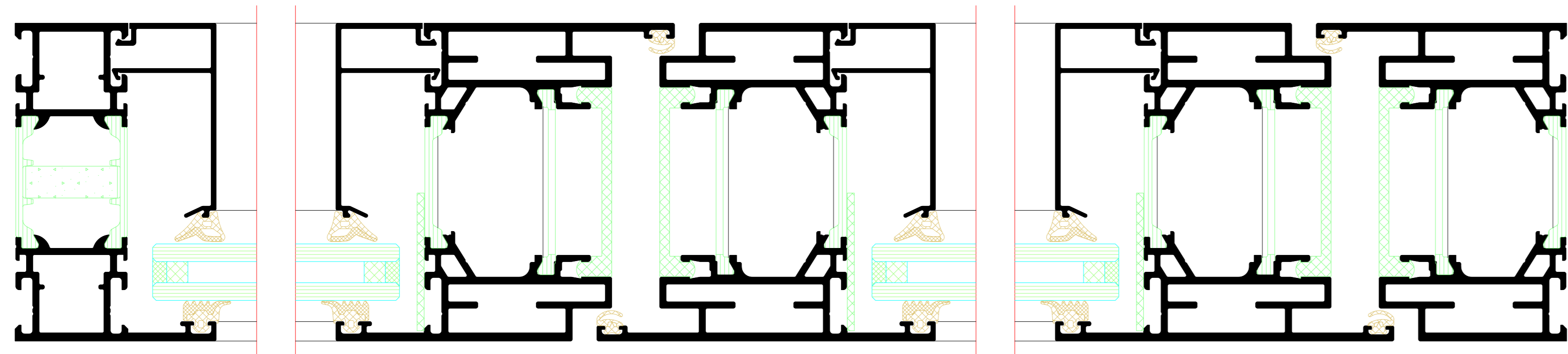
Einflügelige Tür mit Festfeld und Oberlichtern
 Single-leaf door with fixed light and toplights



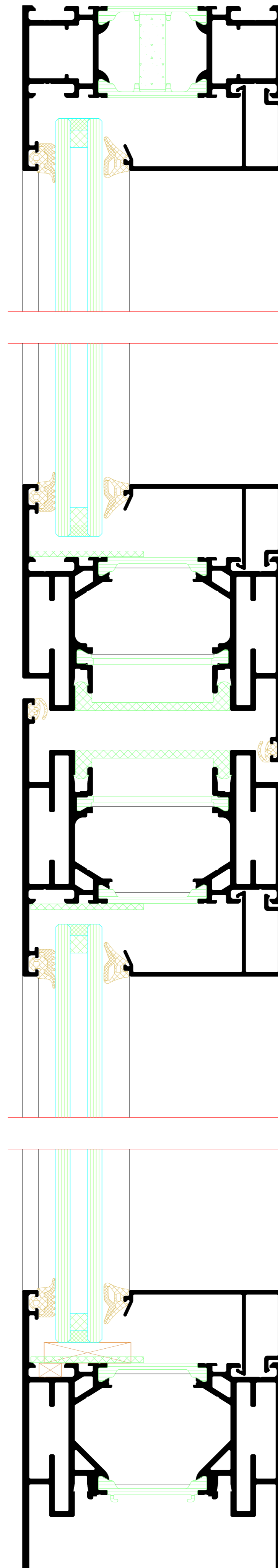
8



9



7



NO.	DATE	DESCRIPTION	BY	CHECKED	DATE
001	2024	Initial drawing	J. Doe	M. Smith	2024-01-15
002	2024	Revised drawing	J. Doe	M. Smith	2024-02-01
003	2024	Final drawing	J. Doe	M. Smith	2024-02-15

NO.	DATE	DESCRIPTION	BY	CHECKED	DATE
004	2024	Revised drawing	J. Doe	M. Smith	2024-03-01
005	2024	Final drawing	J. Doe	M. Smith	2024-03-15

NO.	DATE	DESCRIPTION	BY	CHECKED	DATE
006	2024	Revised drawing	J. Doe	M. Smith	2024-04-01
007	2024	Final drawing	J. Doe	M. Smith	2024-04-15

NO.	DATE	DESCRIPTION	BY	CHECKED	DATE
008	2024	Revised drawing	J. Doe	M. Smith	2024-05-01
009	2024	Final drawing	J. Doe	M. Smith	2024-05-15

NO.	DATE	DESCRIPTION	BY	CHECKED	DATE
010	2024	Revised drawing	J. Doe	M. Smith	2024-06-01
011	2024	Final drawing	J. Doe	M. Smith	2024-06-15

NO.	DATE	DESCRIPTION	BY	CHECKED	DATE
012	2024	Revised drawing	J. Doe	M. Smith	2024-07-01
013	2024	Final drawing	J. Doe	M. Smith	2024-07-15

NO.	DATE	DESCRIPTION	BY	CHECKED	DATE
014	2024	Revised drawing	J. Doe	M. Smith	2024-08-01
015	2024	Final drawing	J. Doe	M. Smith	2024-08-15

NO.	DATE	DESCRIPTION	BY	CHECKED	DATE
016	2024	Revised drawing	J. Doe	M. Smith	2024-09-01
017	2024	Final drawing	J. Doe	M. Smith	2024-09-15

NO.	DATE	DESCRIPTION	BY	CHECKED	DATE
018	2024	Revised drawing	J. Doe	M. Smith	2024-10-01
019	2024	Final drawing	J. Doe	M. Smith	2024-10-15

NO.	DATE	DESCRIPTION	BY	CHECKED	DATE
020	2024	Revised drawing	J. Doe	M. Smith	2024-11-01
021	2024	Final drawing	J. Doe	M. Smith	2024-11-15

NO.	DATE	DESCRIPTION	BY	CHECKED	DATE
022	2024	Revised drawing	J. Doe	M. Smith	2024-12-01
023	2024	Final drawing	J. Doe	M. Smith	2024-12-15

NO.	DATE	DESCRIPTION	BY	CHECKED	DATE
024	2024	Revised drawing	J. Doe	M. Smith	2025-01-01
025	2024	Final drawing	J. Doe	M. Smith	2025-01-15

NO.	DATE	DESCRIPTION	BY	CHECKED	DATE
026	2024	Revised drawing	J. Doe	M. Smith	2025-02-01
027	2024	Final drawing	J. Doe	M. Smith	2025-02-15

NO.	DATE	DESCRIPTION	BY	CHECKED	DATE
028	2024	Revised drawing	J. Doe	M. Smith	2025-03-01
029	2024	Final drawing	J. Doe	M. Smith	2025-03-15

NO.	DATE	DESCRIPTION	BY	CHECKED	DATE
030	2024	Revised drawing	J. Doe	M. Smith	2025-04-01
031	2024	Final drawing	J. Doe	M. Smith	2025-04-15

NO.	DATE	DESCRIPTION	BY	CHECKED	DATE
032	2024	Revised drawing	J. Doe	M. Smith	2025-05-01
033	2024	Final drawing	J. Doe	M. Smith	2025-05-15

NO.	DATE	DESCRIPTION	BY	CHECKED	DATE
034	2024	Revised drawing	J. Doe	M. Smith	2025-06-01
035	2024	Final drawing	J. Doe	M. Smith	2025-06-15

NO.	DATE	DESCRIPTION	BY	CHECKED	DATE
036	2024	Revised drawing	J. Doe	M. Smith	2025-07-01
037	2024	Final drawing	J. Doe	M. Smith	2025-07-15

NO.	DATE	DESCRIPTION	BY	CHECKED	DATE
038	2024	Revised drawing	J. Doe	M. Smith	2025-08-01
039	2024	Final drawing	J. Doe	M. Smith	2025-08-15

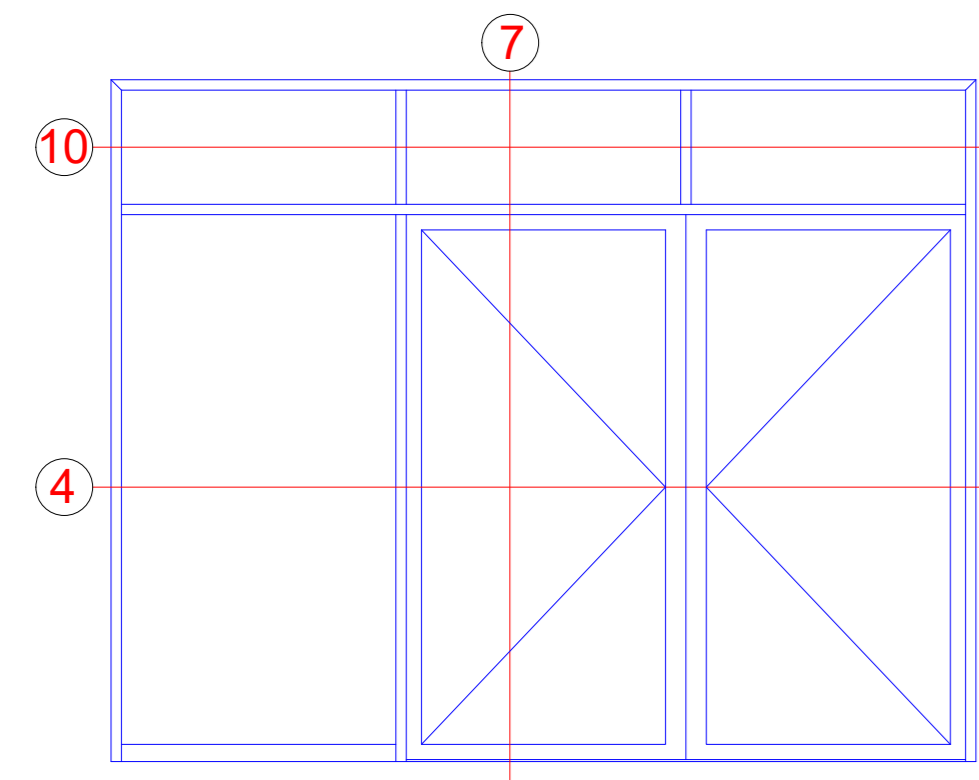
NO.	DATE	DESCRIPTION	BY	CHECKED	DATE
040	2024	Revised drawing	J. Doe	M. Smith	2025-09-01
041	2024	Final drawing	J. Doe	M. Smith	2025-09-15

NO.	DATE	DESCRIPTION	BY	CHECKED	DATE
042	2024	Revised drawing	J. Doe	M. Smith	2025-10-01
043	2024	Final drawing	J. Doe	M. Smith	2025-10-15

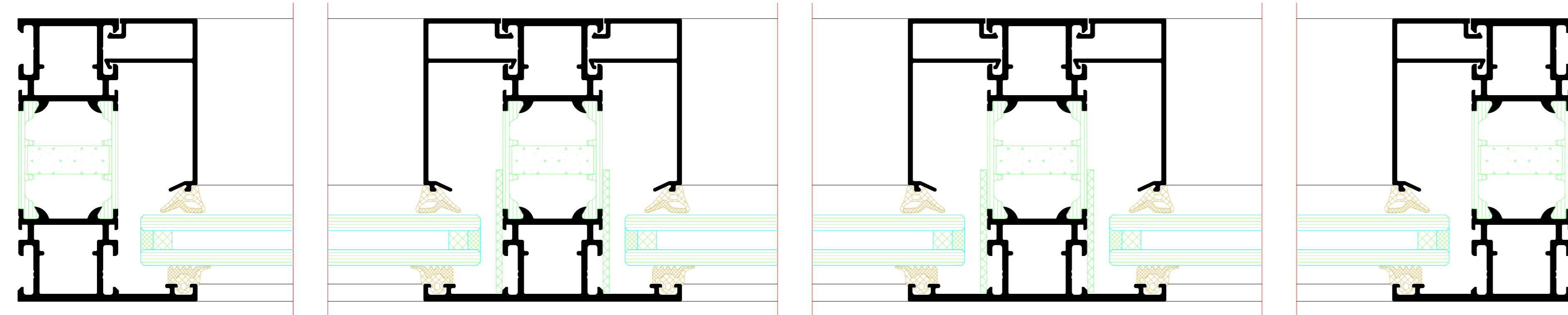
NO.	DATE	DESCRIPTION	BY	CHECKED	DATE
044	2024	Revised drawing	J. Doe	M. Smith	2025-11-01
045	2024	Final drawing	J. Doe	M. Smith	2025-11-15

NO.	DATE	DESCRIPTION	BY	CHECKED	DATE
046	2024	Revised drawing	J. Doe	M. Smith	2025-12-01
047	2024	Final drawing	J. Doe	M. Smith	2025-12-15

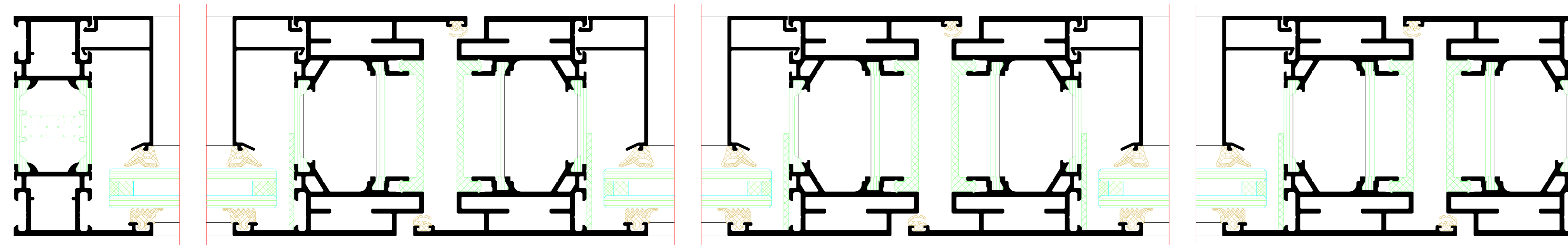
Zweiflügelige Tür mit Festfeld und Oberlicht
 Double-leaf door with fixed light and toplight



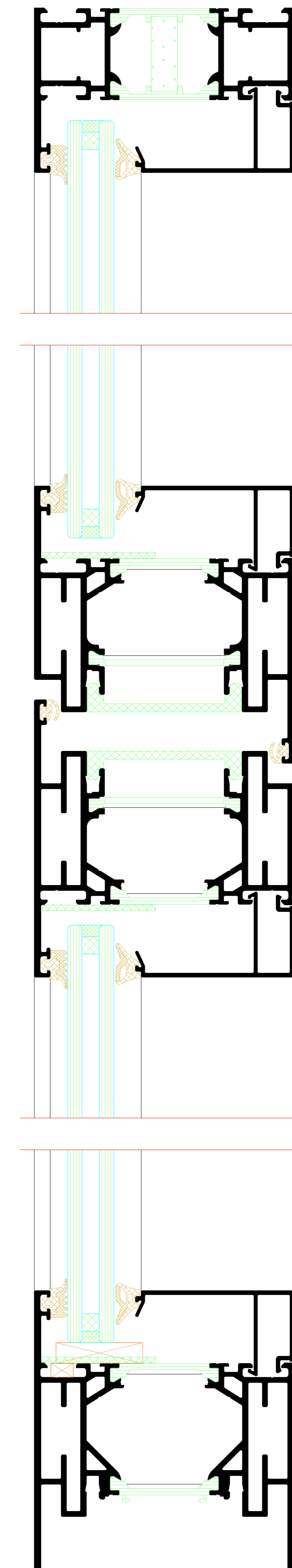
10



4

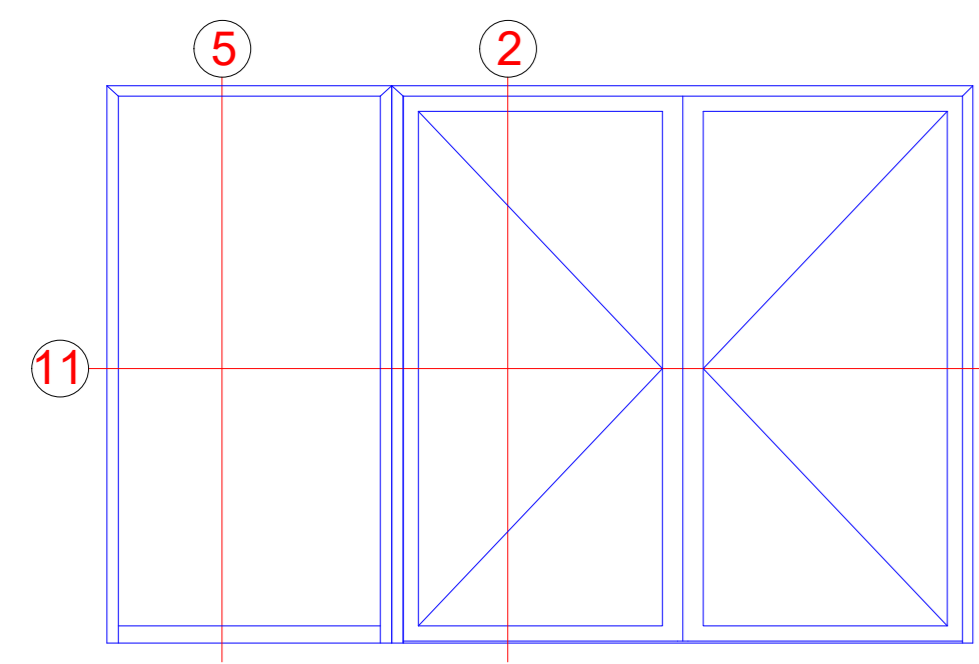


7

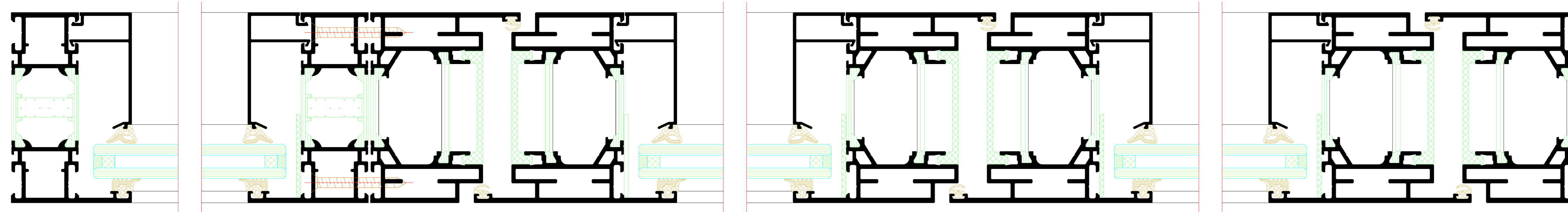


NO.	DATE	REVISION	BY	CHECKED	GROUP
001	2018	01
<p>Riva Elementarchelle Riva Unit section details</p> <p>Tür RIVA FireStop ADS 90 FR30 Außen öffnend Door RIVA FireStop ADS 90 FR30 outward opening</p>					
<p>BENEDICT + RIVA <small>BENEDICT - RIVA GmbH Hermannstraße 14 42699 Solingen, Germany</small></p>					

Zweiflügelige Tür mit Festfeld
 Double-leaf door with fixed light

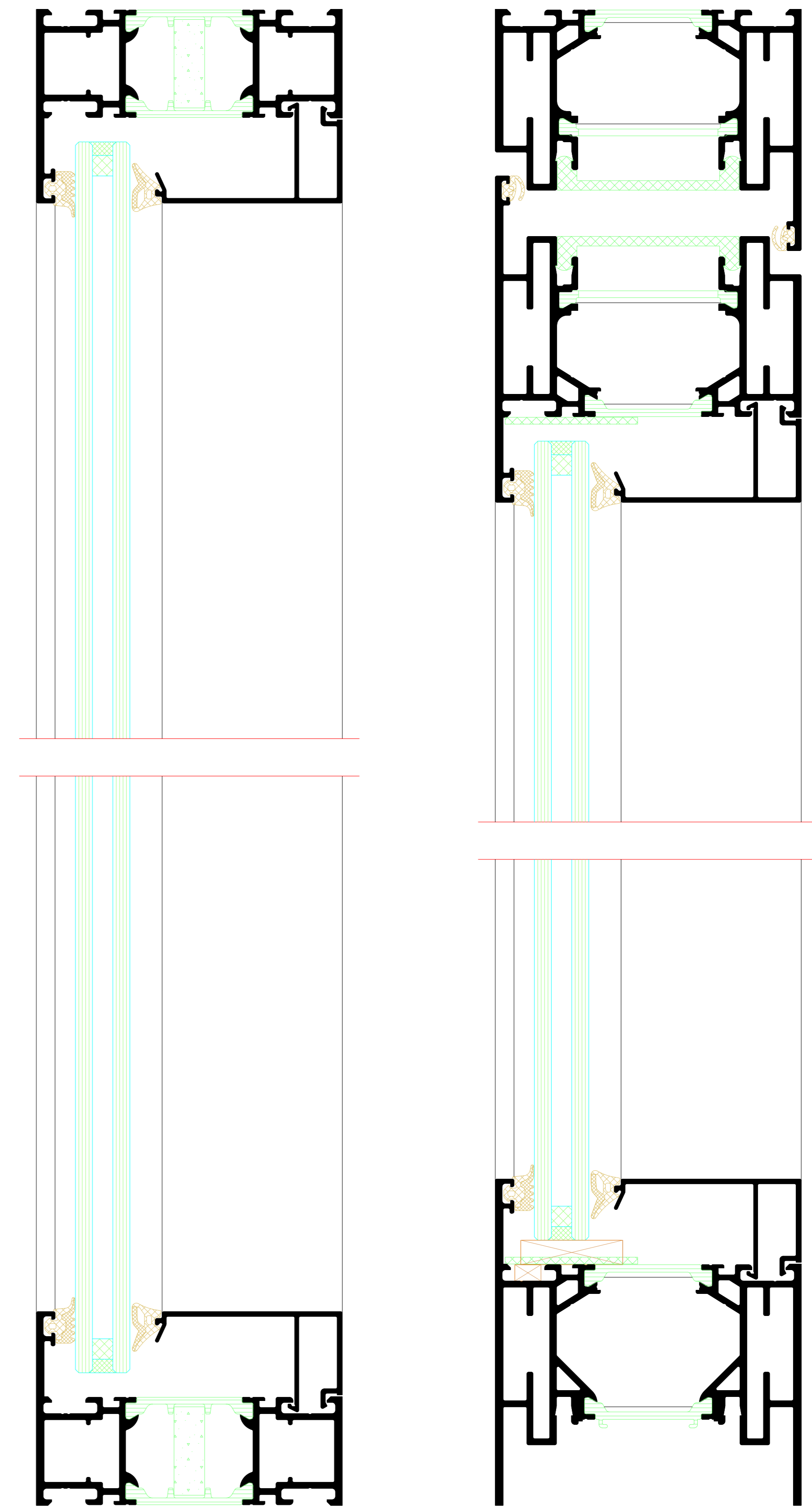


11



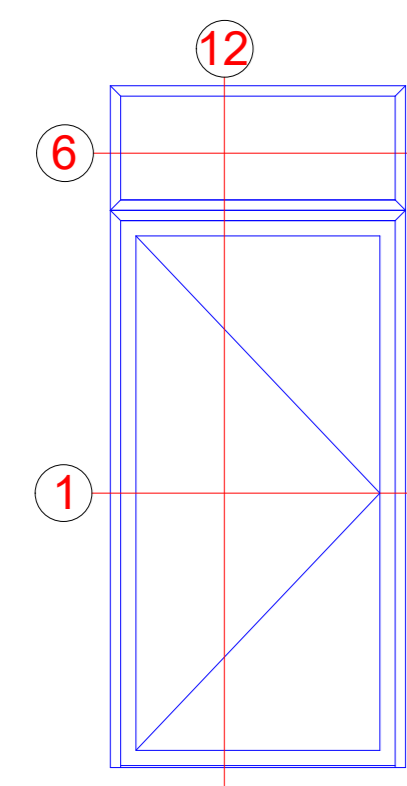
5

2

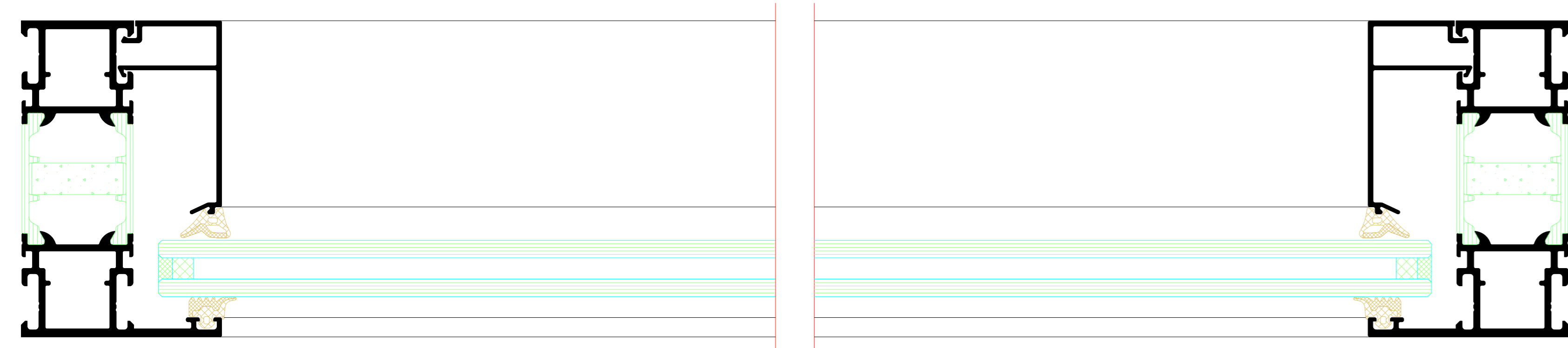


NO.	DATE	REVISION	BY	CHECKED	GROUP
001	01.10.2018	01
<p>Riva Elementbuchelle Riva Unit section details</p> <p>Tür RIVA FireStop ADS 90 FR30 Außen öffnend Door RIVA FireStop ADS 90 FR30 outward opening</p>					
<p>BENEDICT + RIVA <small>BENEDICT - RIVA GmbH Hermannstraße 14 68504 Ludwigshafen</small></p>					

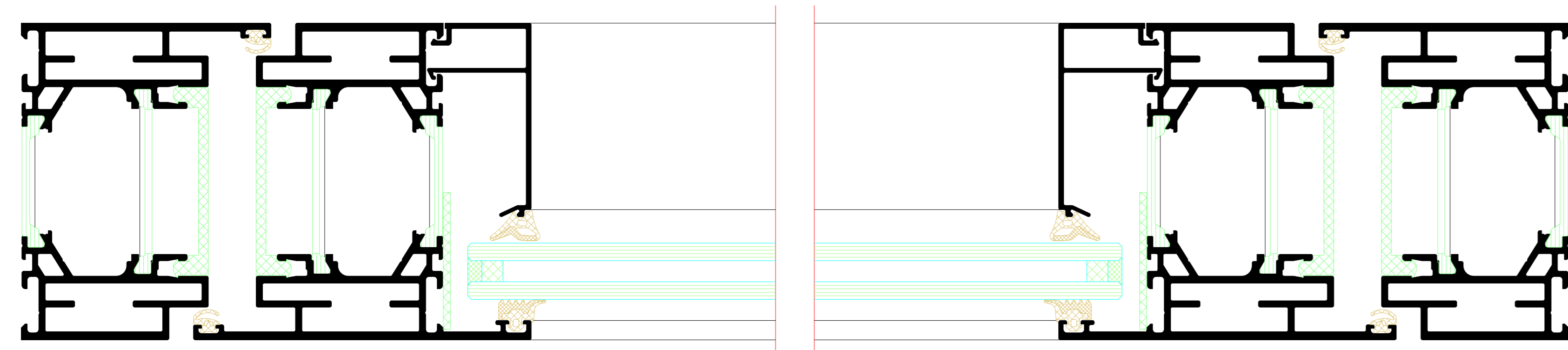
Einflügelige Tür mit Oberlicht
Single-leaf door with toplight



6

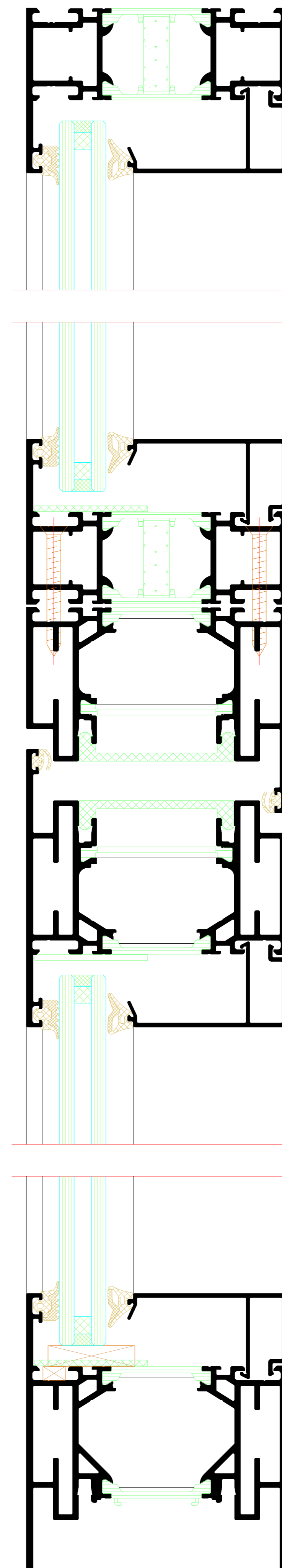


1

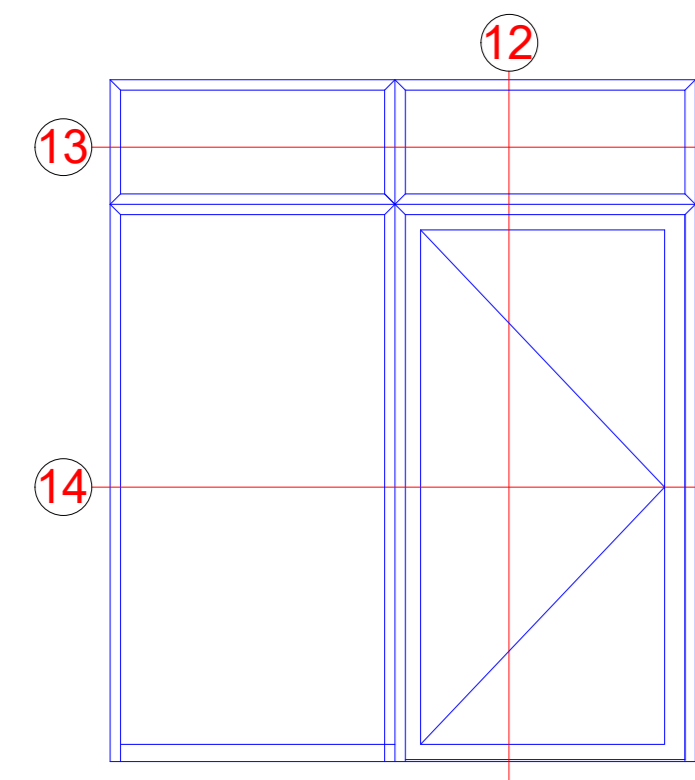


Bausteinsystem
Modular system

12

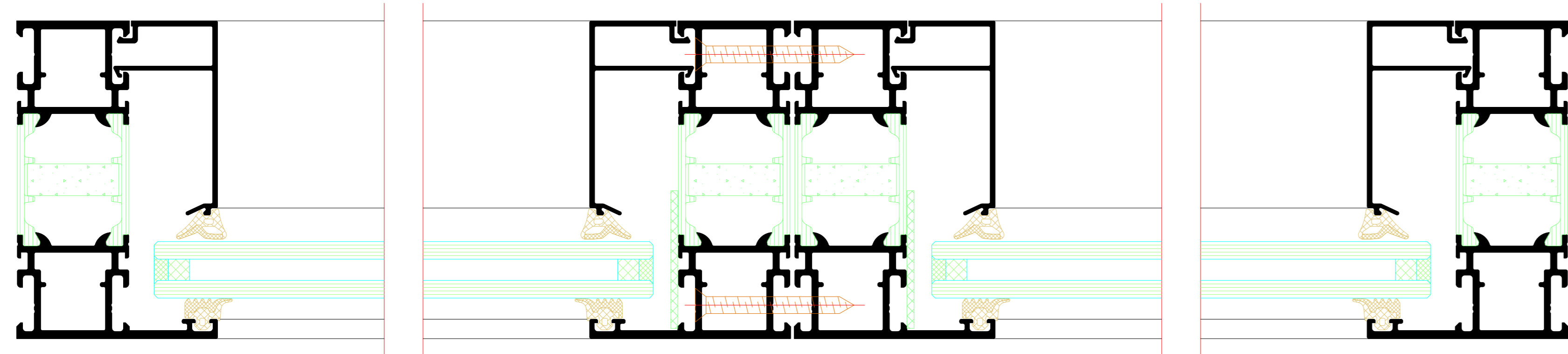


Einfügelige Tür mit Festfeld und Oberlichtern
 Single-leaf door with fixed light and toplights



Bausteinsystem
 Modular system

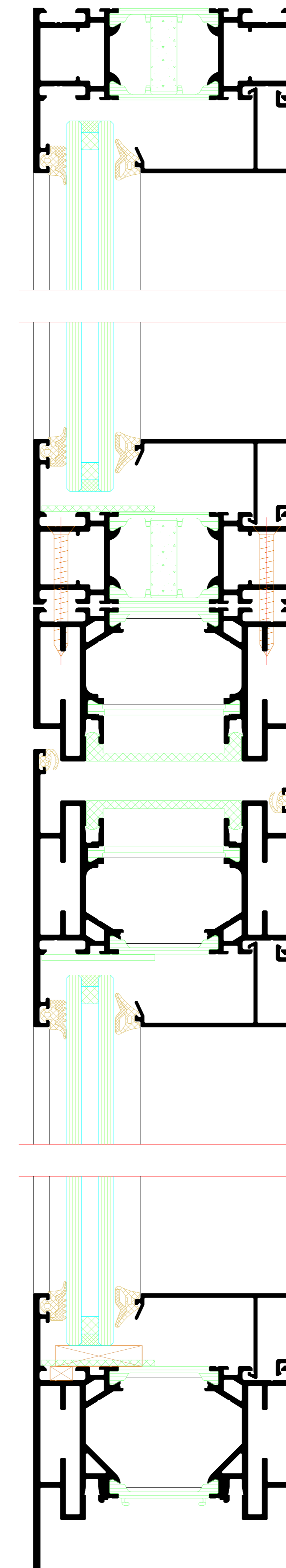
13



14

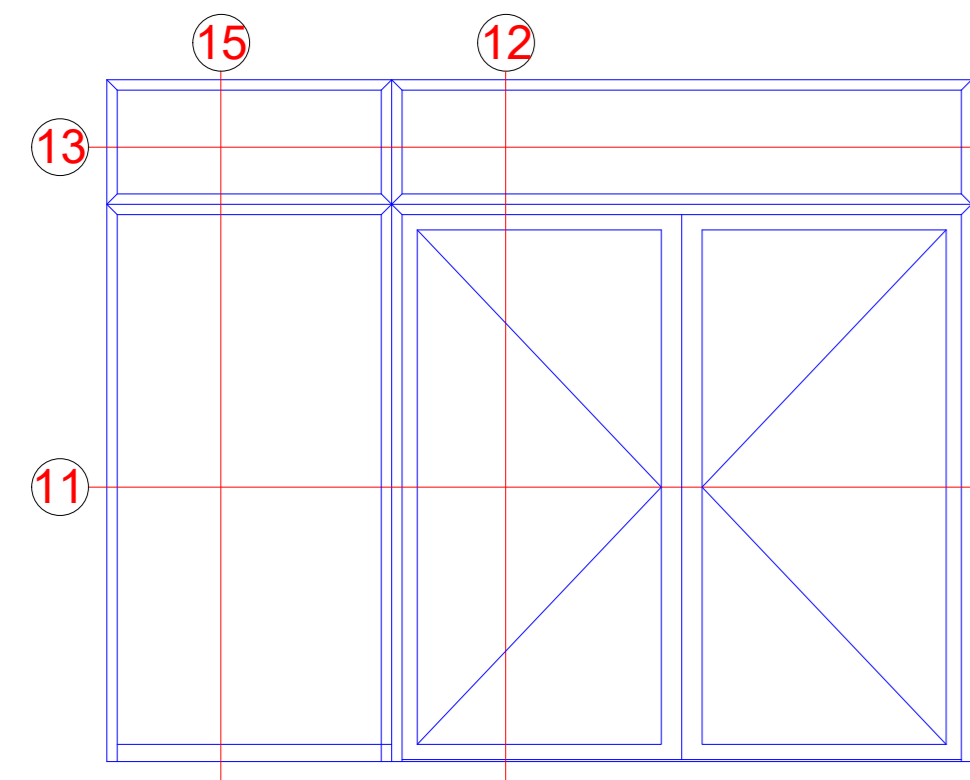


12



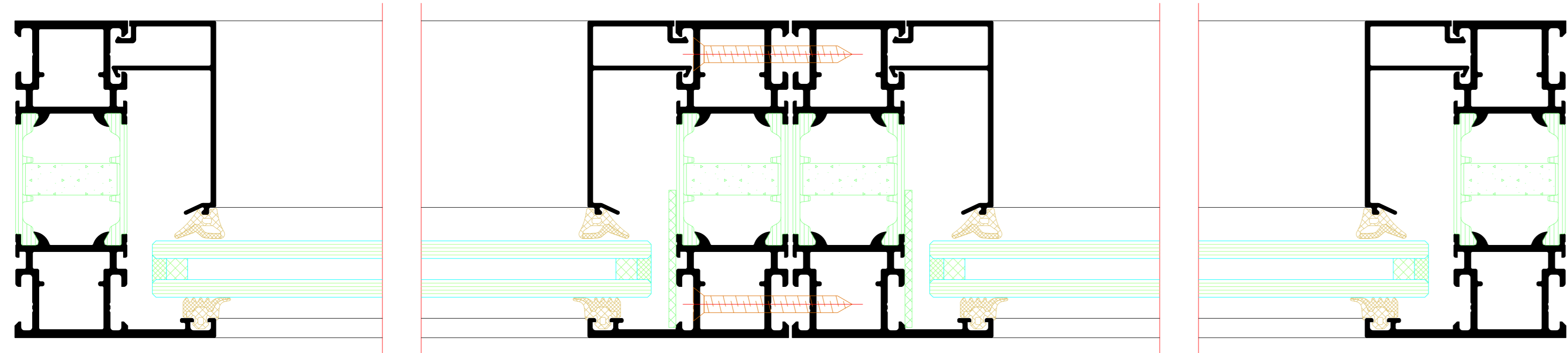
NO.	DATE	ISSUES	REVISION	STATUS
001	2024	Initial	01	Released
002	2024	Revised	02	Released
003	2024	Revised	03	Released
004	2024	Revised	04	Released
005	2024	Revised	05	Released
006	2024	Revised	06	Released
007	2024	Revised	07	Released
008	2024	Revised	08	Released
009	2024	Revised	09	Released
010	2024	Revised	10	Released
011	2024	Revised	11	Released
012	2024	Revised	12	Released
013	2024	Revised	13	Released
014	2024	Revised	14	Released
015	2024	Revised	15	Released
016	2024	Revised	16	Released
017	2024	Revised	17	Released
018	2024	Revised	18	Released
019	2024	Revised	19	Released
020	2024	Revised	20	Released
021	2024	Revised	21	Released
022	2024	Revised	22	Released
023	2024	Revised	23	Released
024	2024	Revised	24	Released
025	2024	Revised	25	Released
026	2024	Revised	26	Released
027	2024	Revised	27	Released
028	2024	Revised	28	Released
029	2024	Revised	29	Released
030	2024	Revised	30	Released
031	2024	Revised	31	Released
032	2024	Revised	32	Released
033	2024	Revised	33	Released
034	2024	Revised	34	Released
035	2024	Revised	35	Released
036	2024	Revised	36	Released
037	2024	Revised	37	Released
038	2024	Revised	38	Released
039	2024	Revised	39	Released
040	2024	Revised	40	Released
041	2024	Revised	41	Released
042	2024	Revised	42	Released
043	2024	Revised	43	Released
044	2024	Revised	44	Released
045	2024	Revised	45	Released
046	2024	Revised	46	Released
047	2024	Revised	47	Released
048	2024	Revised	48	Released
049	2024	Revised	49	Released
050	2024	Revised	50	Released
051	2024	Revised	51	Released
052	2024	Revised	52	Released
053	2024	Revised	53	Released
054	2024	Revised	54	Released
055	2024	Revised	55	Released
056	2024	Revised	56	Released
057	2024	Revised	57	Released
058	2024	Revised	58	Released
059	2024	Revised	59	Released
060	2024	Revised	60	Released
061	2024	Revised	61	Released
062	2024	Revised	62	Released
063	2024	Revised	63	Released
064	2024	Revised	64	Released
065	2024	Revised	65	Released
066	2024	Revised	66	Released
067	2024	Revised	67	Released
068	2024	Revised	68	Released
069	2024	Revised	69	Released
070	2024	Revised	70	Released
071	2024	Revised	71	Released
072	2024	Revised	72	Released
073	2024	Revised	73	Released
074	2024	Revised	74	Released
075	2024	Revised	75	Released
076	2024	Revised	76	Released
077	2024	Revised	77	Released
078	2024	Revised	78	Released
079	2024	Revised	79	Released
080	2024	Revised	80	Released
081	2024	Revised	81	Released
082	2024	Revised	82	Released
083	2024	Revised	83	Released
084	2024	Revised	84	Released
085	2024	Revised	85	Released
086	2024	Revised	86	Released
087	2024	Revised	87	Released
088	2024	Revised	88	Released
089	2024	Revised	89	Released
090	2024	Revised	90	Released
091	2024	Revised	91	Released
092	2024	Revised	92	Released
093	2024	Revised	93	Released
094	2024	Revised	94	Released
095	2024	Revised	95	Released
096	2024	Revised	96	Released
097	2024	Revised	97	Released
098	2024	Revised	98	Released
099	2024	Revised	99	Released
100	2024	Revised	100	Released

Zweiflügelige Tür mit Festfeld und Oberlicht
 Double-leaf door with fixed light and toplight

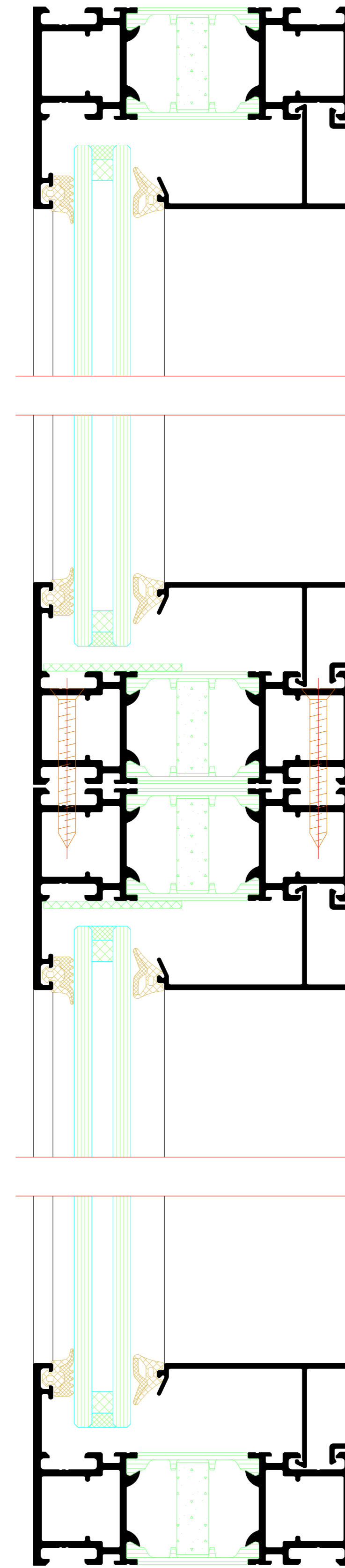


Bausteinssystem
 Modular system

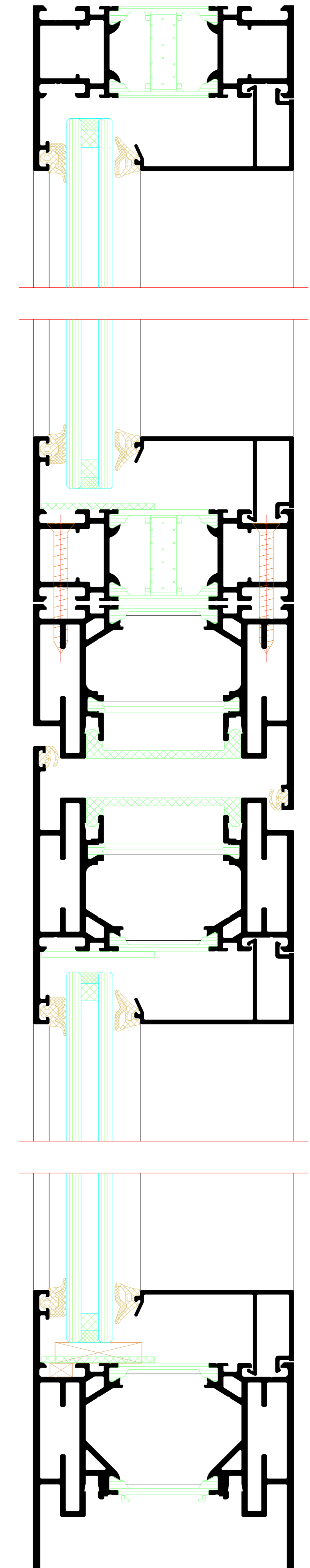
13



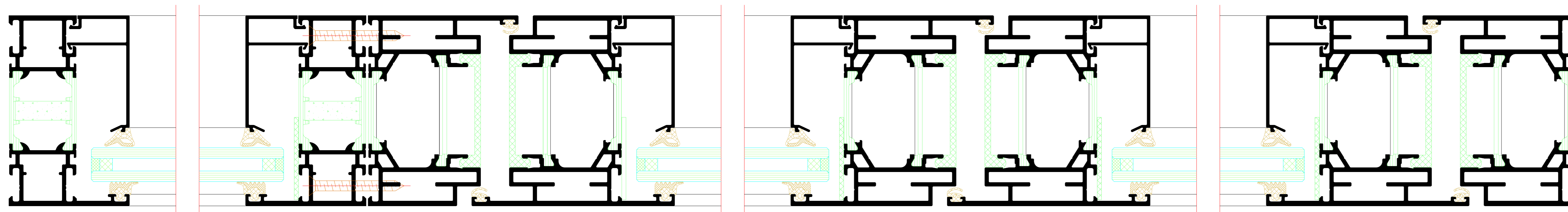
15



12



11

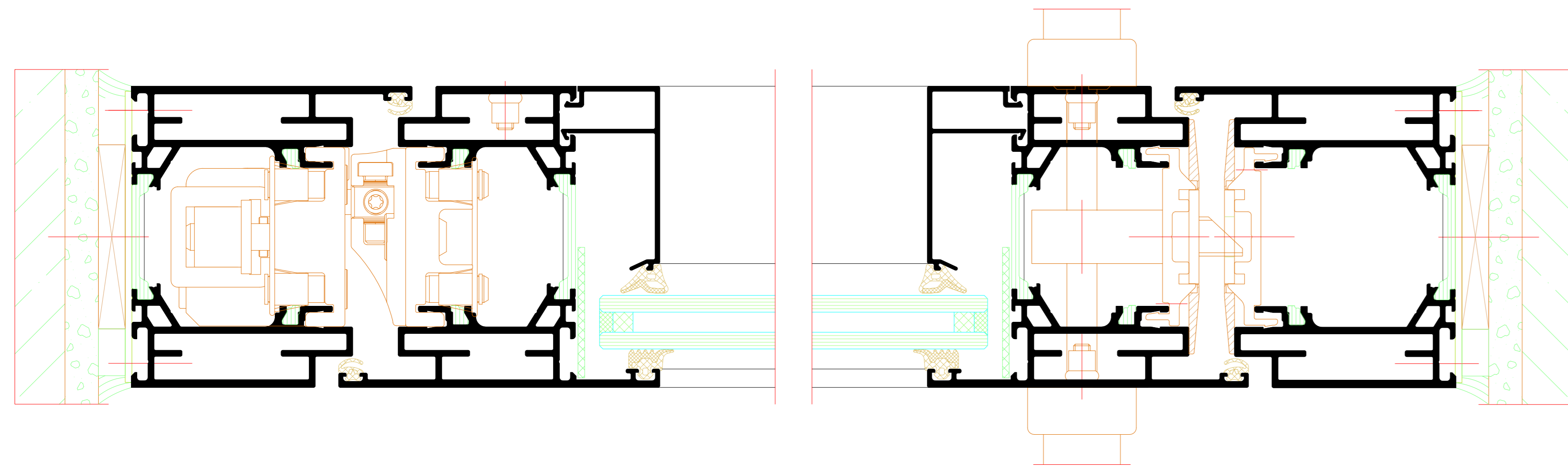


NO.	DATE	DESCRIPTION	BY	CHECKED	GROUP
001	01.10.2018	Entwurf	B. G.	B. G.	01
002	02.10.2018	Überprüfung	B. G.	B. G.	01
003	03.10.2018	Freigegeben	B. G.	B. G.	01
004	04.10.2018	Überprüfung	B. G.	B. G.	01
005	05.10.2018	Freigegeben	B. G.	B. G.	01

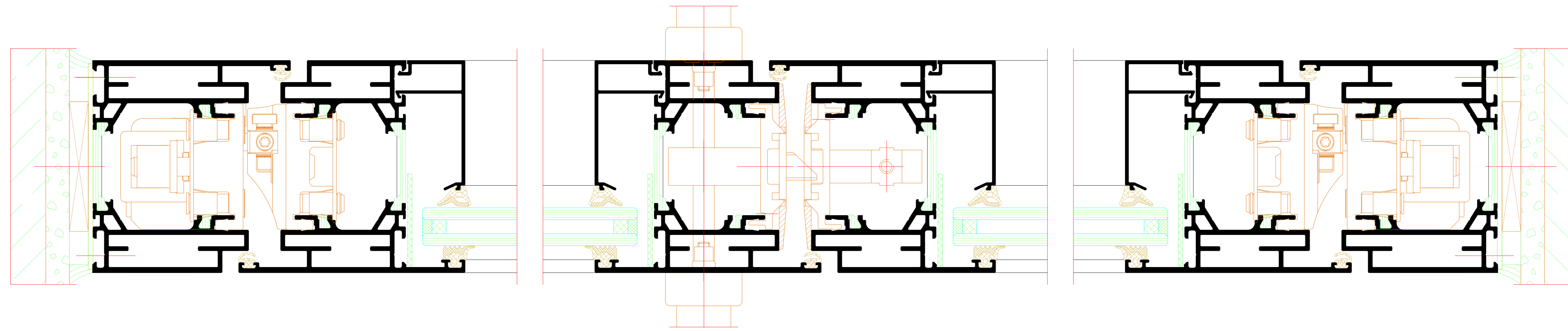
RIVA Elementbauteile
 Riva Unit section details
 Tür RIVA FireStop ADS 90 FR30 Außen öffnend
 Door RIVA FireStop ADS 90 FR30 outward opening

BENEDICT + RIVA **BENEDICT + RIVA GmbH**
 Hermannstraße 14
 42699 Solingen, Germany
 Tel: +49 (0)212 649-1111
 Fax: +49 (0)212 649-1112
 E-Mail: info@benedict-riva.com

Einflügelige Tür mit verdeckt liegendem Beschlag
Single-leaf door with concealed fittings

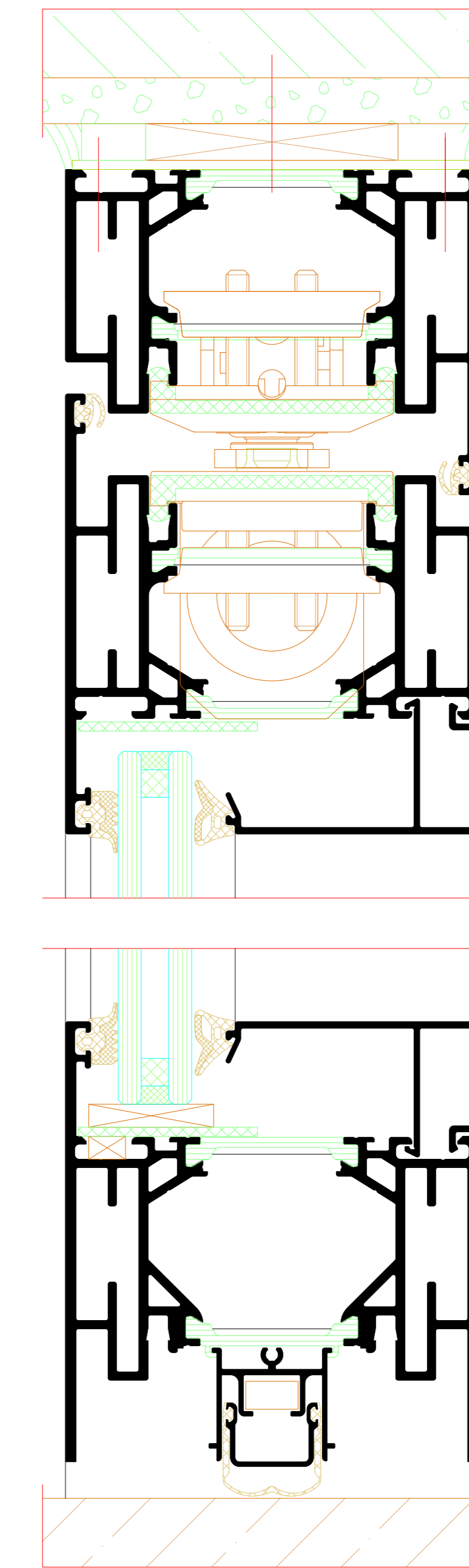


Zweiflügelige Tür mit verdeckt liegendem Beschlag
Double-leaf door with concealed fittings



Ab einem Öffnungswinkel von 90° wird eine 100% lichte Durchgangsweite ermöglicht !
A 100% clear opening width is enabled from an opening angle of 90°.

Türflügel
Door leaf



Türflügel mit Oberlicht
Door leaf with toplight

